

Date:	Approved:
Type:	
Fixture:	
Project:	

BASELINEXG2 AC



BASELINEXG2 AC is a low profile linear floodlight with 10°, 25°, 40°, 120°, 10° x 40°, 10° x 60°, 30° x 60° and 21° x 56° Asymmetric distributions. **BASELINEXG2 AC** comes in 1', 2', 3' or 4' nominal lengths and 2700K, 3000K, 3500K or 4000K color temperatures. **BASELINEXG2 AC (BLXG2AC)** has an extruded anodized aluminum body and die cast end caps sealed for an IP66 rating. It also features two IP68 plug-n-play connectors at each end for daisy chain installation, one connector for line-voltage and one for data control with 0-10V dimming.



SPECIFICATIONS

PHYSICAL

beam spread	10° spot, 25° narrow flood, 40° flood, 120° wide, 10°x 40° ellipse, 10°x 60° ellipse, 30°x 60° ellipse, 21°x 56° asymmetric
dimensions	(L) x 2.5" x 2.63"
weight	2.7 lbs. per foot
housing	Extruded and die cast aluminum
lens	Tempered glass
mounting	Includes standard adjustable bracket, optional cantilever, pendant, cable line bracket or surface mount bracket (SMB)

PERFORMANCE

color temperature	2700K	3000K	3500K	4000K
delivered lumens	1100 per foot	1200 per foot	1312 per foot	1365 per foot
lumen maintenance	L70 >70,000 hours			
color consistency	2 SDCM / CRI > 84			
temperature	-49°F to 122°F (-45°C to 50°C)			
warranty	5-Year limited warranty			

ELECTRICAL

input voltage	Universal 120 - 277 VAC standard
power supply	Integral
certification	ETL, cETL
standards	UL-Class I / IES LM-79 / LM-80
power consumption	15W per foot
environment	dry, damp, wet location / IP65 (IP68 connectors)
dimming	Dimming: 0-10V

Due to continuous development and improvements, specifications are subject to change without notice. Product use certifies agreement to Solid State Luminaires terms and conditions.



US Commercial Lighting Manufacturer Since 1982

Specification Sheet

BASELINEXG2 AC Series

PART NUMBER

BLXG2AC		UNV		CRI84		
----------------	--	------------	--	--------------	--	--

MODEL	LENGTH	VOLTAGE	CCT	CRI	OPTICS	OPTIONS
BLXG2AC BASELINEXG2 AC	1 305 mm [12 in]	UNV 120 - 277 VAC	27K 2700K* (1100 lm)	CRI84 CRI 84	10 10° Spot	D 0-10V Dimming
	2 610 mm [24 in]		3K 3000K (1200 lm)		25 25° Narrow Flood	CL Cantilever 8"
	3 906 mm [35.7 in]		35K 3500K (1312 lm)		40 40° Flood	C Cable Line 36"
	4 1201 mm [47.3 in]		4K 4000K (1365 lm)		120 120°	P Pendant 18"
					2156 21° x 56° Asym.	BL Black Louvre
					1040 10° x 40° Ellipse	SMB Surface Mount Bracket
					1060 10° x 60° Ellipse	
					3060 30° x 60° Ellipse	

* Consult Factory - MOQ

ACCESSORIES

(Indicate the quantity needed for each item.)

_____ SC10W 10 ft Starter Cable (1 per run)	_____ EC12WD (Data) 12 in Extension Cable	_____ SC10WD (Data) 10 ft Starter Cable (1 per run)
_____ TCAPW Terminator Cap (1 per run)	_____ EC24WD (Data) 24 in Extension Cable	_____ TCAPWD (Data) Terminator Cap (1 per run)
_____ EC12W 12 in Extension Cable	_____ EC60WD (Data) 60 in Extension Cable	_____ TCAPWDI (Input) Terminator Cap (1 per run)*
_____ EC24W 24 in Extension Cable		
_____ EC60W 60 in Extension Cable		

REQUIRED: Starter Cables **SC10W** and Terminator Caps **TCAPW** for every run.
Maximum Run Length = 60 feet (120V), and 120 feet (277V)

Additional Requirements for Dimming Data:
SC10WD (Data Starter Cable) and
TCAPWD (Data Terminator Cap) for each run.

***Additional Requirements if 0-10V not selected:**
TCAPWDI (Input Terminator Cap) for each run.

PERFORMANCE

Length	Connected Wattage	Delivered Lumens	
		3000K	4000K
305mm [12 in]	15	1204	1366
610mm [24 in]	30	2408	3732
906mm [35.7 in]	45	3612	4098
1201mm [47.3 in]	60	4816	5464

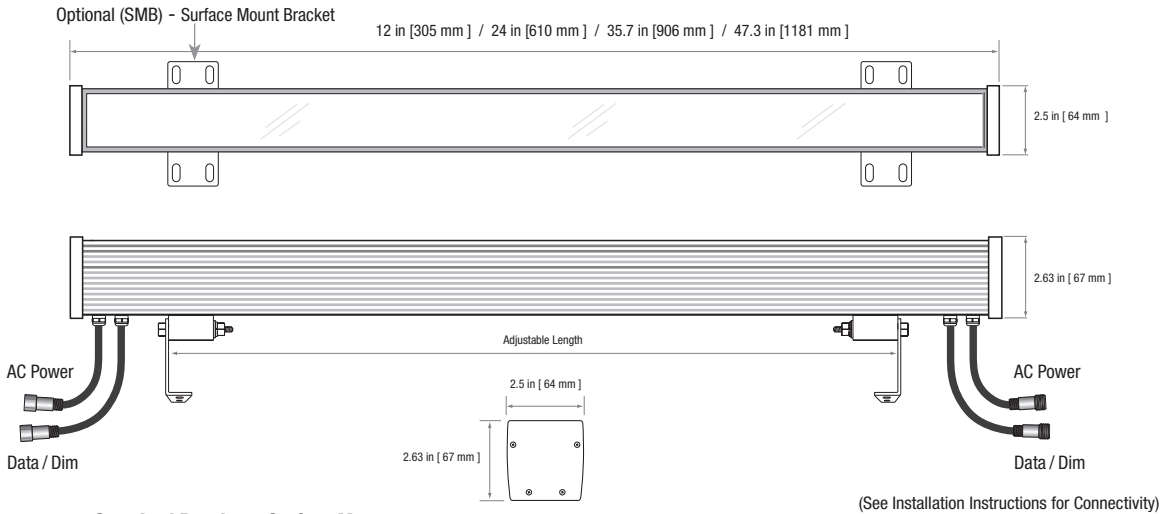
Due to continuous development and improvements, specifications are subject to change without notice.
 Product use certifies agreement to Solid State Luminaires terms and conditions.



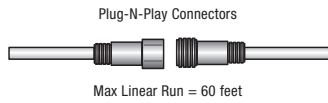
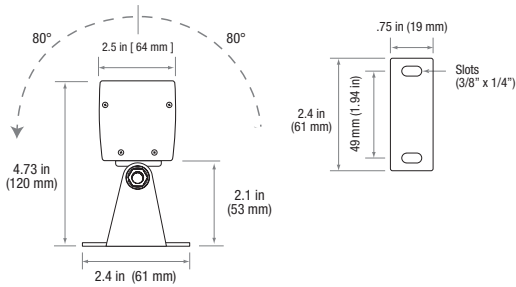
US Commercial Lighting Manufacturer Since 1982

Specification Sheet

DIMENSIONS

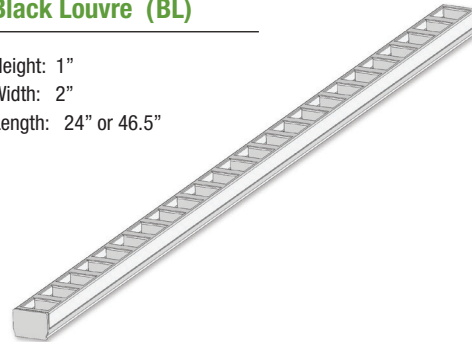


Standard Bracket - Surface Mount

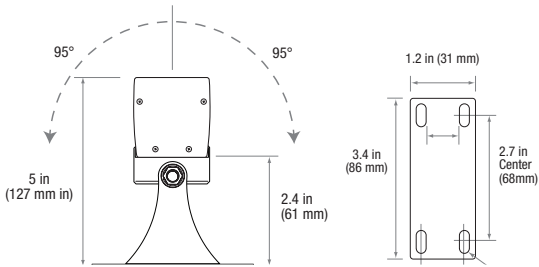


Black Louvre (BL)

Height: 1"
Width: 2"
Length: 24" or 46.5"



Optional (SMB) Surface Mount Bracket

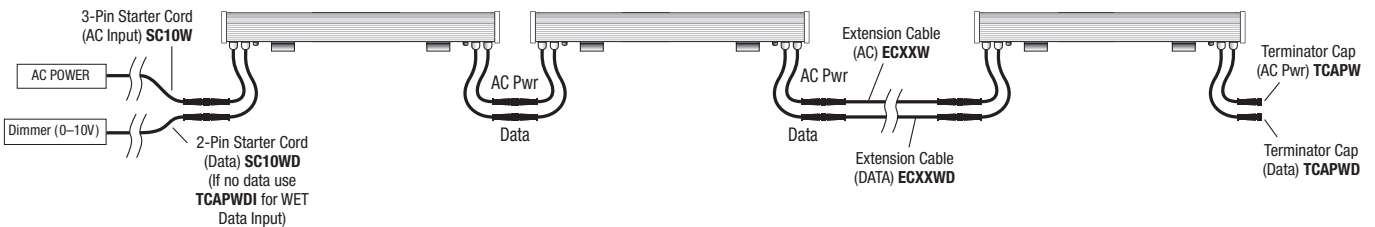


IMPORTANT: See Surface Mount Bracket base measurements

Linear Run Connection

BaseLineXG2 AC - Maximum Run Length

• 60 feet (120V) • 120 feet (277V)



Due to continuous development and improvements, specifications are subject to change without notice. Product use certifies agreement to Solid State Luminaires terms and conditions.