

# BASELINEG2 AC (BLXG2AC) - ELECTRICAL INSTALLATION INSTRUCTIONS

**CAUTION:** BEFORE CONNECTING THE FIXTURE TO A POWER SUPPLY, MAKE SURE THE POWER IS SWITCHED OFF.



corporate  
 t (877) SSL-GREEN  
 f (630) 889-8106  
 3609 Swenson Ave.  
 St. Charles, IL 60174

## DETAILED ILLUSTRATION

### GENERAL:

1. Before starting the installation, make sure all electricity has been turned off and electrical breaker has been locked out and tagged out.
2. To ensure the success of the installation, be sure to read these instructions and review the diagrams thoroughly before beginning.
3. All electrical connections must be in accordance with local codes, ordinances, or the National Electrical Code.

**NOTE:** The important safeguards and instructions appearing in this manual are not meant to cover all possible conditions and situations that may occur.

### INSTALLATION:

1. Once fixtures are fastened in place 3-Pin (AC Power) and 2-Pin (Data) connections can be made to daisy chain fixtures in a linear run.

**NOTE:** Limit each run to 60 feet including fixtures and cords (120ft for 277V).

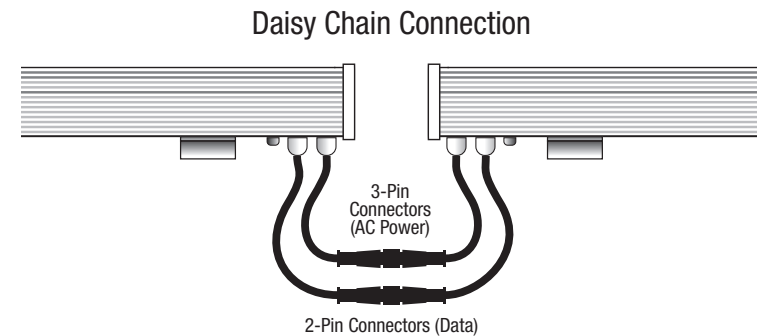
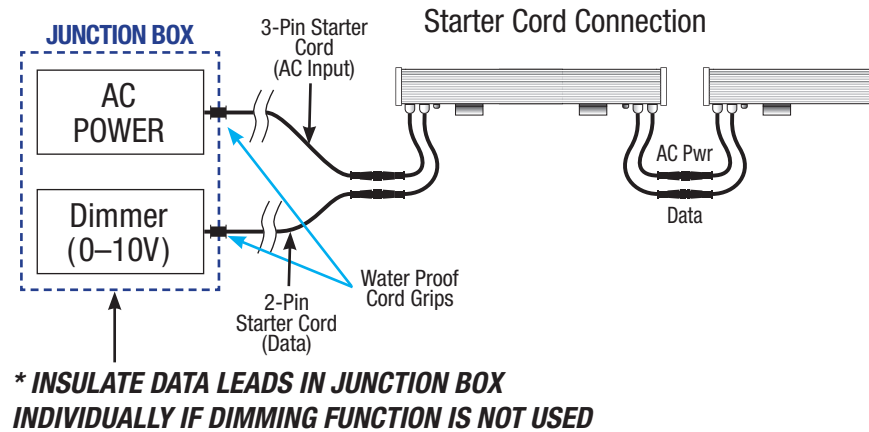
**REQUIRED:** Starter Cord (SC10W) & Terminator Cap (TCAPW) are required for each run. And for Dimming (Data) use SC10WD and TCAPWD.

2. Connect 2-Pin Male to Female ends, making sure to completely hand tighten the threaded locking collar to achieve IP68 rating. Repeat same method with 3-Pin connectors.
3. 3-Pin Starter Cord can be connected at the input side of the fixture and then complete wiring to the AC Power source.
4. 2-Pin Starter Cord can be connected at the input side of the fixture and then complete wiring to the Dimmer (0-10V) source.

**IMPORTANT:** DO NOT exceed product's **Maximum Run Length**. (FIG A)

**CAUTION:** Before connecting the fixture(s) to power make sure power is off.

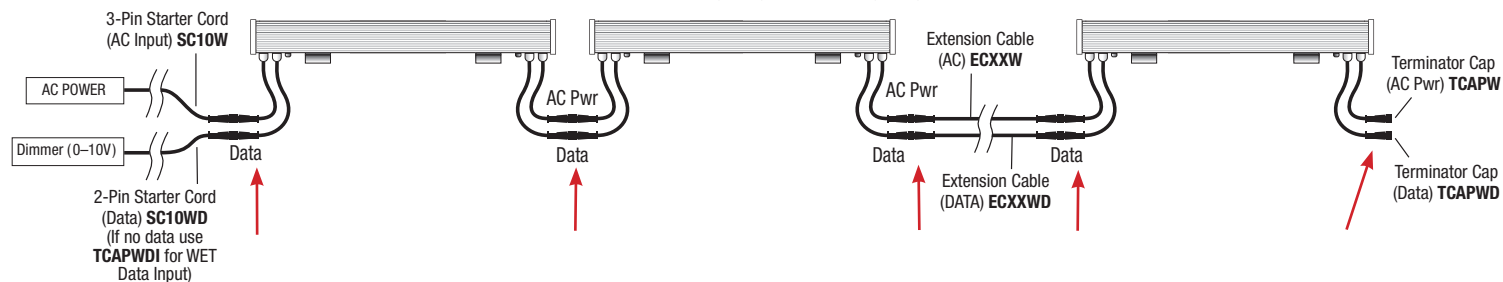
**NOTE:** DO NOT connect power until fixtures are properly mounted, connected and wired.



**FIG A Linear Run Connection**

### BaseLineG2 AC - Maximum Run Length

• 60 feet (120V) • 120 feet (277V)



**\*\* MAKE ALL DATA CONNECTIONS AS SHOWN WHEN USING OR NOT USING DIMMING FUNCTION**