

ColourLine™ Cove (CLCV) & Graze (CLGR) - INSTALLATION and OPERATION INSTRUCTIONS

CAUTION: BEFORE CONNECTING THE FIXTURE TO A POWER SUPPLY, MAKE SURE THE POWER IS SWITCHED OFF.

Fixtures include: ColourLine Cove (CLCV) & ColourLine Graze (CLGR)

DETAILED ILLUSTRATION



corporate
t (877) SSL-GREEN
f (630) 889-8106
 3609 Swenson Ave.
 St. Charles, IL 60174

GENERAL:

1. Before starting the installation, make sure all electricity has been turned off and electrical breaker has been locked out and tagged out.
2. To ensure the success of the installation, be sure to read these instructions and review the diagrams thoroughly before beginning.
3. All electrical connections must be in accordance with local codes, ordinances, or the National Electrical Code.

NOTE: The important safeguards and instructions appearing in this manual are not meant to cover all possible conditions and situations that may occur.

INSTALLATION:

- 1) Verify Physical Layout Plan
 - a) Ensure all hardware is present.
 - b) Ensure all electrical feeds are correctly positioned with all hardware and any other active components.
 - c) Confirm DMX Addressing Plan
 - i. SSL recommends pre-addressing fixtures before mounting installation.
 - ii. Ensure that addressing is documented for future upgrading, configuring or troubleshooting.
 - iii. Create an addressing table to document all fixture IDs and their physical location.



The bottom of each fixture has a unique factory ID number and barcode.

HARDWARE: May include RDM Controller, Exterior Rated Data Line, AC Power Feed, PDX/S box, PDX box, Starter Cords, Terminator Caps, Extension Cables and fixtures.

NOTE: Use Extension Cable when necessary, for corners and extending fixture runs.

IMPORTANT: Max Run Length: see **Chart A**

REQUIRED: Starter Cable (SC10CL or SC50CL) and Terminator Cap (TCAPDCL) are required for every run.

CLCV / CLGR RGBW - Single Segment Configuration

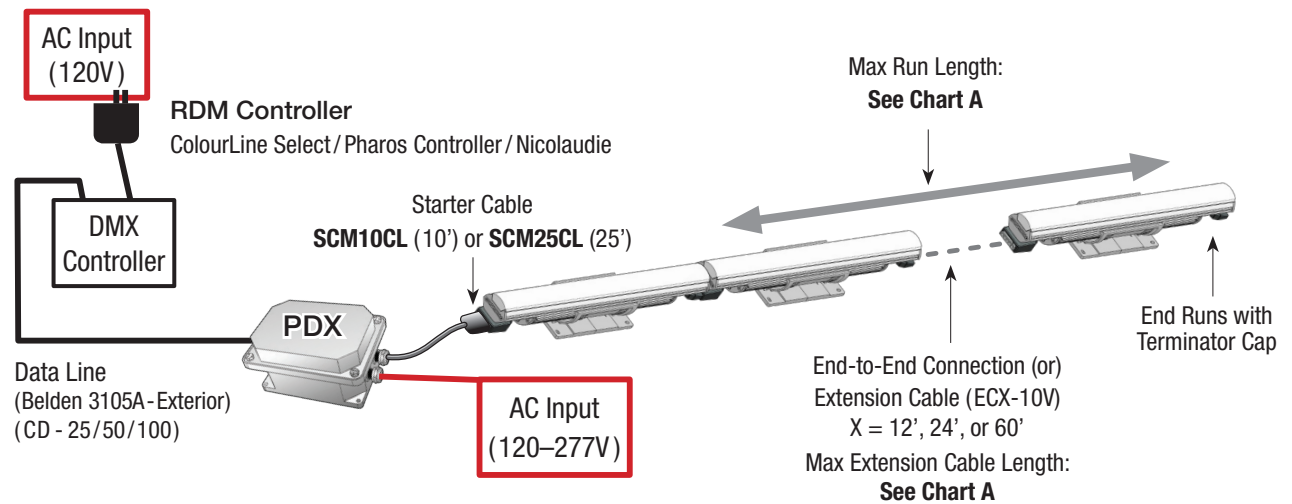


Chart A

Max run length	120V	240V	277V	Extension Cables
14W	48'	94'	108'	Up to 20' (optional)
9W	72'	146'	169'	Up to 20' (optional)
5W	132'	264'	305'	Up to 20' (optional)

ColourLine™ Cove (CLCV) & Graze (CLGR) - INSTALLATION and OPERATION INSTRUCTIONS

CAUTION: BEFORE CONNECTING THE FIXTURE TO A POWER SUPPLY, MAKE SURE THE POWER IS SWITCHED OFF.

Fixtures include: ColourLine Cove (CLCV) & ColourLine Graze (CLGR)

DETAILED ILLUSTRATION



corporate
 t (877) SSL-GREEN
 f (630) 889-8106
 3609 Swenson Ave.
 St. Charles, IL 60174

GENERAL:

1. Before starting the installation, make sure all electricity has been turned off and electrical breaker has been locked out and tagged out.
2. To ensure the success of the installation, be sure to read these instructions and review the diagrams thoroughly before beginning.
3. All electrical connections must be in accordance with local codes, ordinances, or the National Electrical Code.

NOTE: The important safeguards and instructions appearing in this manual are not meant to cover all possible conditions and situations that may occur.

INSTALLATION:

- 1) Verify Physical Layout Plan
 - a) Ensure all hardware is present.
 - b) Ensure all electrical feeds are correctly positioned with all hardware and any other active components.
 - c) Confirm DMX Addressing Plan
 - i. SSL recommends pre-addressing fixtures before mounting installation.
 - ii. Ensure that addressing is documented for future upgrading, configuring or troubleshooting.
 - iii. Create an addressing table to document all fixture IDs and their physical location.

The bottom of each fixture has a unique factory ID number and barcode.



HARDWARE: May include RDM Controller, Exterior Rated Data Line, AC Power Feed, PDX/S box, PDX box, Starter Cords, Terminator Caps, Extension Cords and fixtures.

NOTE: Use Extension Cable when necessary, for corners and extending fixture runs.

IMPORTANT: Max Run Length: **See Chart A**

REQUIRED: Starter Cable (SC10CL or SC50CL) and Terminator Cap (TCAP DCL) are required for every run.

REQUIRED: Data Extension Cable (**ED10CL** 10ft or **ED50CL** 50ft) for extending each Max Run Length segment.

CLCV / CLGR RGBW - Extended Segment Configuration

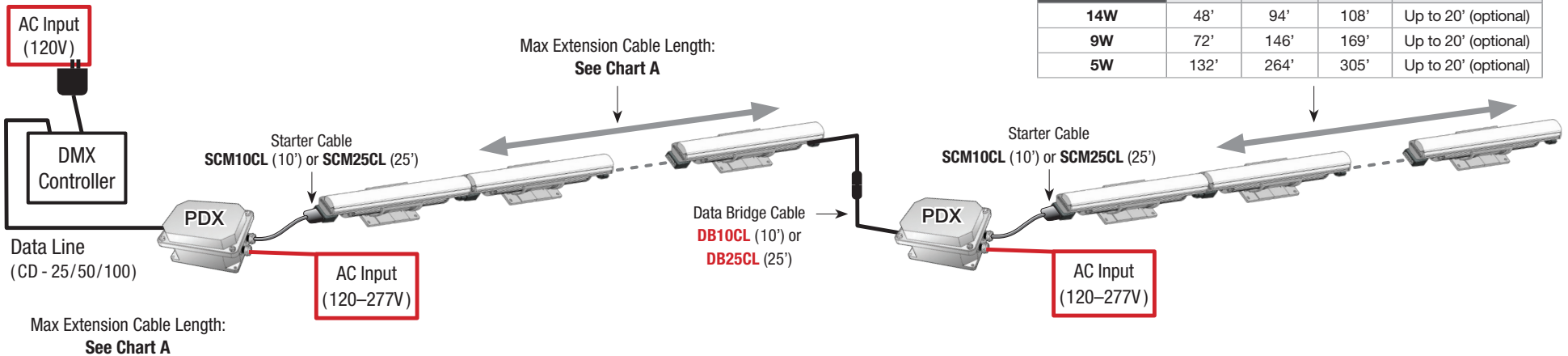


Chart A

Max run length	120V	240V	277V	Extension Cables
14W	48'	94'	108'	Up to 20' (optional)
9W	72'	146'	169'	Up to 20' (optional)
5W	132'	264'	305'	Up to 20' (optional)

3 Max Run Length Segments

Three Max Run Length Segments can be connected before requiring a Repeater.



ColourLine™ Cove (CLCV) & Graze (CLGR) - INSTALLATION and OPERATION INSTRUCTIONS

CAUTION: BEFORE CONNECTING THE FIXTURE TO A POWER SUPPLY, MAKE SURE THE POWER IS SWITCHED OFF.

Fixtures include: ColourLine Cove (CLCV) & ColourLine Graze (CLGR)



corporate
 t (877) SSL-GREEN
 f (630) 889-8106
 3609 Swenson Ave.
 St. Charles, IL 60174

DETAILED ILLUSTRATION



CLCV

CLGR

GENERAL:

1. Before starting the installation, make sure all electricity has been turned off and electrical breaker has been locked out and tagged out.
2. To ensure the success of the installation, be sure to read these instructions and review the diagrams thoroughly before beginning.
3. All electrical connections must be in accordance with local codes, ordinances, or the National Electrical Code.

NOTE: The important safeguards and instructions appearing in this manual are not meant to cover all possible conditions and situations that may occur.

INSTALLATION:

- 2) Personality Configuration
 - a) The CLCV & CLGR "Personality" is the resolution increments that can be configured via software.

NOTE: Personality configuration must be set before setting the DMX addresses.

NOTE: Each increment shows the number of DMX addresses that are used in each fixture for the corresponding personality.

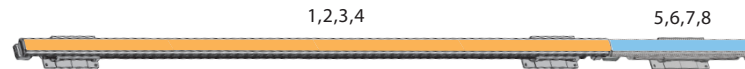
NOTE: Personality 4 shows 6 DMX addresses (channels) representing R, G, B, W, Brightness and Tuneable White.

ColourMode RGBW & TUNEABLE WHITE IN ONE

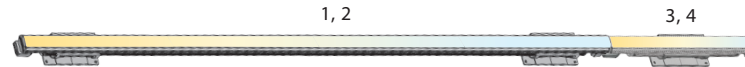


SSL uses Digital Dual Mode (DDM) technology to provide RGBW and Tuneable White in one fixture! SSL firmware is designed to use 6 DMX channels in the DDM Personality Mode. Maximum Mood Enhancement is available to use for any type of environment. Channels 1-4 are reserved for RGBW. Channels 5-6 are used for Tuneable White. Channel 5 controls intensity while channel 6 controls White color temperature.

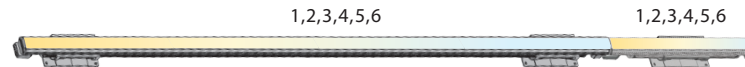
Personality 1 4 foot & 1 foot fixtures configured 4 Channels per fixture (R,G,B,W)



Personality 2 4 foot & 1 foot fixtures configured 2 channels per fixture (Color Tuning/Dynamic White) (No RGBW)



Personality 3 4 foot & 1 foot fixtures configured 6 Channels per fixture to support Digital Dual Mode 6-Channel DMX (Channel 1-4 RGBW, 5-Brightness, 6-Tuneable White CCT)



Personality 4 4 foot fixture (only) configured in 2 foot increments (4 Channels/2ft - R,G,B,W)



Personality 5 4 foot fixture (only) configured in 1 foot increments (4 Channels/1ft - R,G,B,W)



ColourLine™ Cove (CLCV) & Graze (CLGR) - INSTALLATION and OPERATION INSTRUCTIONS

CAUTION: BEFORE CONNECTING THE FIXTURE TO A POWER SUPPLY, MAKE SURE THE POWER IS SWITCHED OFF.

Fixtures include: ColourLine Cove (CLCV) & ColourLine Graze (CLGR)

DETAILED ILLUSTRATION



CLCV

CLGR



corporate
 t (877) SSL-GREEN
 f (630) 889-8106
 3609 Swenson Ave.
 St. Charles, IL 60174

GENERAL:

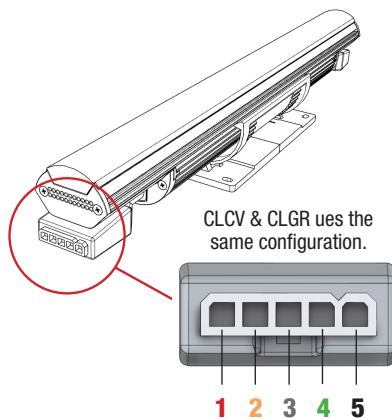
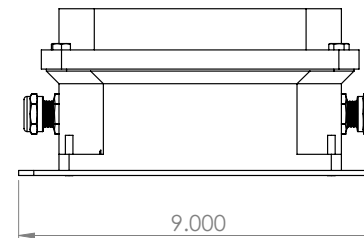
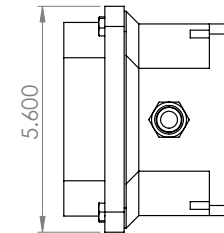
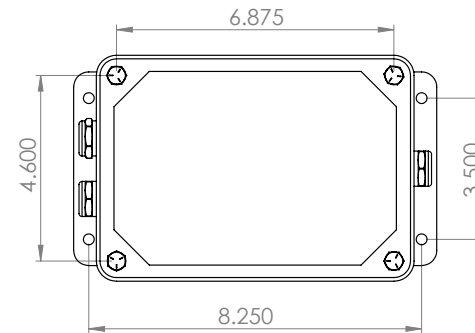
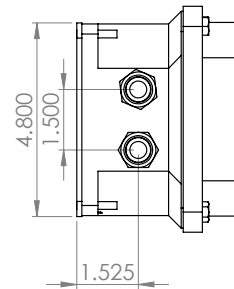
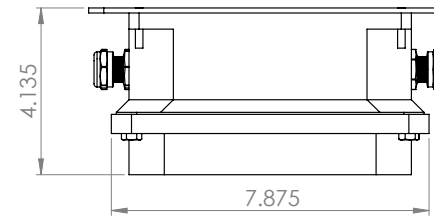
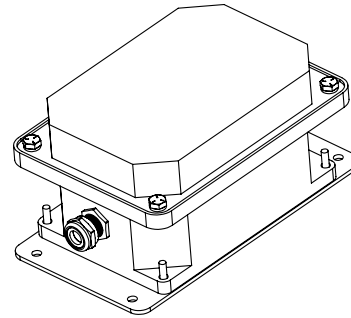
1. Before starting the installation, make sure all electricity has been turned off and electrical breaker has been locked out and tagged out.
2. To ensure the success of the installation, be sure to read these instructions and review the diagrams thoroughly before beginning.
3. All electrical connections must be in accordance with local codes, ordinances, or the National Electrical Code.

NOTE: The important safeguards and instructions appearing in this manual are not meant to cover all possible conditions and situations that may occur.

INSTALLATION:

- 3) PDX (Power/Data Box)
 - a) Mount PDX (PDX is exterior-rated).

NOTE: Use appropriate fasteners for mounting to surface type.



COLOR KEY	
1	Red (<+ Data [+])
2	Orange (<- Data [-])
3	White (– Neutral)
4	Green (⚡ Ground)
5	Black (+ Positive)

ColourLine™ Cove (CLCV) & Graze (CLGR) - INSTALLATION and OPERATION INSTRUCTIONS

CAUTION: BEFORE CONNECTING THE FIXTURE TO A POWER SUPPLY, MAKE SURE THE POWER IS SWITCHED OFF.

Fixtures include: ColourLine Cove (CLCV) & ColourLine Graze (CLGR)

DETAILED ILLUSTRATION



corporate
 t (877) SSL-GREEN
 f (630) 889-8106
 3609 Swenson Ave.
 St. Charles, IL 60174

GENERAL:

1. Before starting the installation, make sure all electricity has been turned off and electrical breaker has been locked out and tagged out.
2. To ensure the success of the installation, be sure to read these instructions and review the diagrams thoroughly before beginning.
3. All electrical connections must be in accordance with local codes, ordinances, or the National Electrical Code.

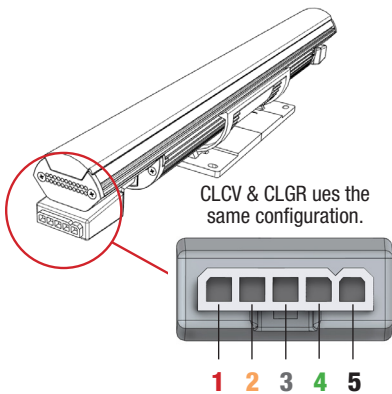
NOTE: The important safeguards and instructions appearing in this manual are not meant to cover all possible conditions and situations that may occur.

INSTALLATION:

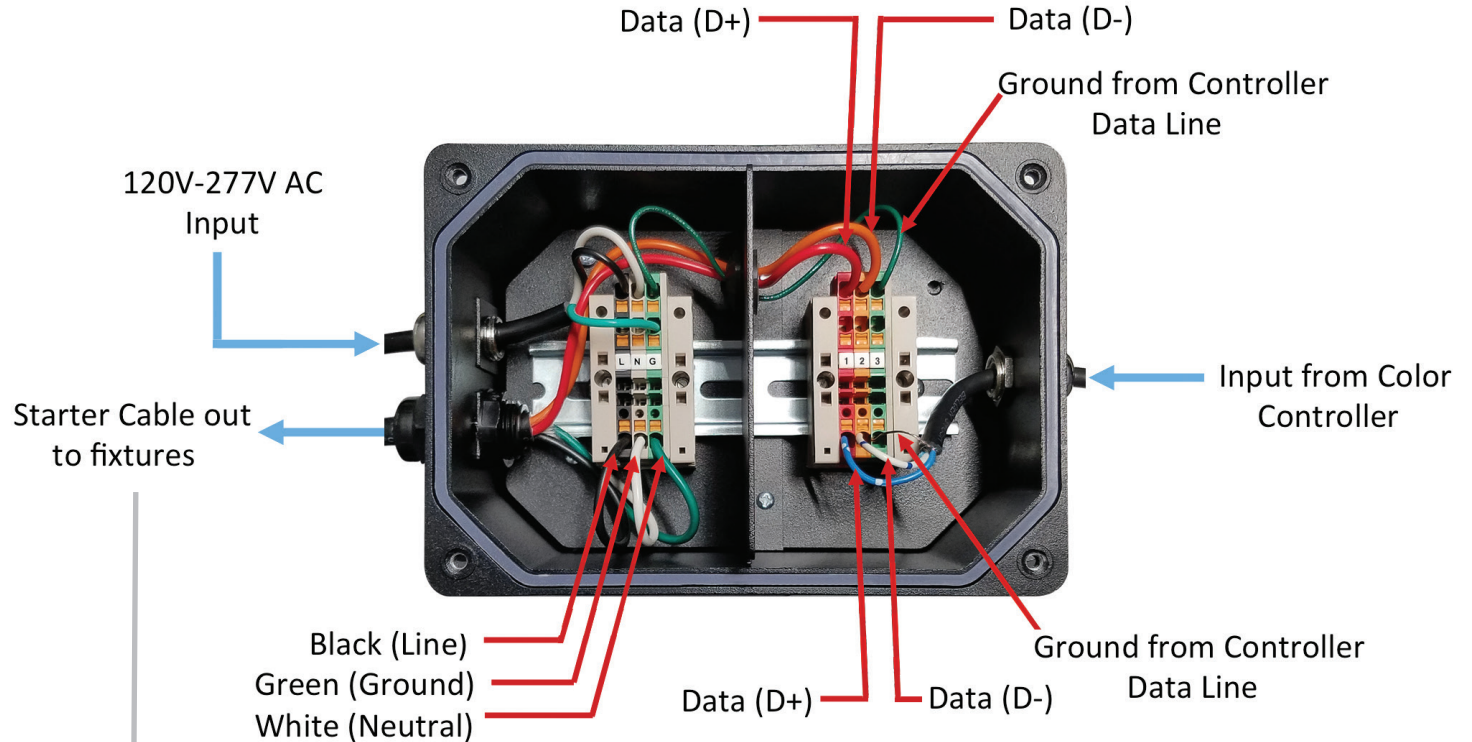
- 3) PDX (Power/Data Box)
 - a) Mount PDX (PDX is exterior-rated).

NOTE: Use appropriate fasteners for mounting to surface type.

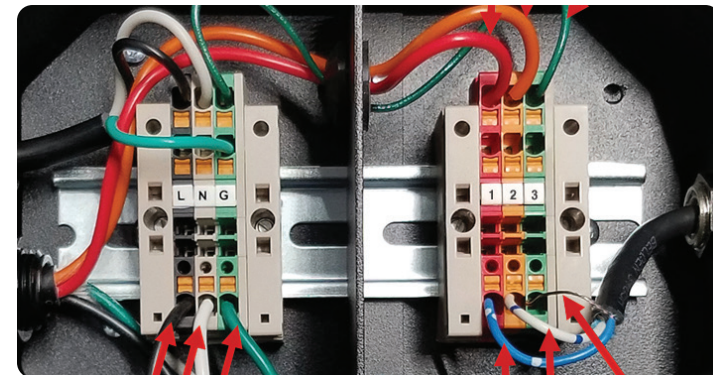
- b) PDX Wiring Diagram



COLOR KEY	
1	Red (<+ Data [+])
2	Orange (<- Data [-])
3	White (- Neutral)
4	Green (≠ Ground)
5	Black (+ Positive)



CONNECTION DETAIL



ColourLine™ Cove (CLCV) & Graze (CLGR) - INSTALLATION and OPERATION INSTRUCTIONS

CAUTION: BEFORE CONNECTING THE FIXTURE TO A POWER SUPPLY, MAKE SURE THE POWER IS SWITCHED OFF.

Fixtures include: ColourLine Cove (CLCV) & ColourLine Graze (CLGR)

DETAILED ILLUSTRATION



corporate
 t (877) SSL-GREEN
 f (630) 889-8106
 3609 Swenson Ave.
 St. Charles, IL 60174

GENERAL:

1. Before starting the installation, make sure all electricity has been turned off and electrical breaker has been locked out and tagged out.
2. To ensure the success of the installation, be sure to read these instructions and review the diagrams thoroughly before beginning.
3. All electrical connections must be in accordance with local codes, ordinances, or the National Electrical Code.

NOTE: The important safeguards and instructions appearing in this manual are not meant to cover all possible conditions and situations that may occur.

INSTALLATION:

- 4) The Mounting Bracket can be fastened to the surface while holding the fixture, using the exposed screw holes on the Standard Adjustable Mounting Bracket. (Fig-1)
- 5) Correctly align the keyed 5-Pin Connector ends and push the two ends together. They should snap firmly together. (Fig-2)

NOTE: Reverse this sequence to disconnect the two ends.

- 6) When fastening the fixtures in place with the Adjustable Mounting Bracket, be sure to maintain alignment for straight runs to achieve an even linear lighting pattern. (Fig-3)

NOTE: The Adjustable Bracket and the optics used will allow for fine tuning the lighting application.

- 7) Turn on power to the RDM Controller first.

IMPORTANT: This will ensure proper function for capturing data addressing.

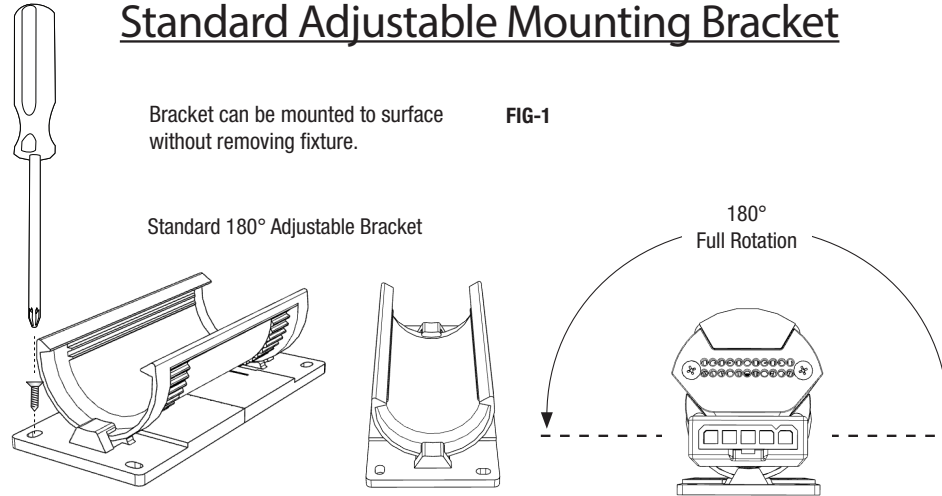
- 8) Now turn on power to fixtures.
 - a) Run Solid Color Program to ensure data is working.

NOTE: Light fixtures will illuminate briefly then turn off. Then they're ready for programming.

Standard Adjustable Mounting Bracket

Bracket can be mounted to surface without removing fixture.

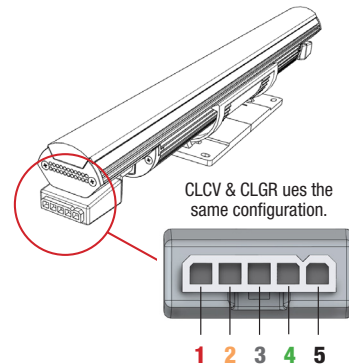
FIG-1



5-Pin Connectors

FIG-2

CLCV & CLGR use the keyed connectors.



COLOR KEY	
1	Red (<+ Data [+])
2	Orange (<- Data [-])
3	White (- Neutral)
4	Green (≠ Ground)
5	Black (+ Positive)

Mounting Alignment

FIG-3

