

ColourLine™ Wet (CLWET) - INSTALLATION and OPERATION INSTRUCTIONS

CAUTION: BEFORE CONNECTING THE FIXTURE TO A POWER SUPPLY, MAKE SURE THE POWER IS SWITCHED OFF.



corporate
t (877) SSL-GREEN
f (630) 889-8106
 3609 Swenson Ave.
 St. Charles, IL 60174

DETAILED ILLUSTRATION

GENERAL:

1. Before starting the installation, make sure all electricity has been turned off and electrical breaker has been locked out and tagged out.
2. To ensure the success of the installation, be sure to read these instructions and review the diagrams thoroughly before beginning.
3. All electrical connections must be in accordance with local codes, ordinances, or the National Electrical Code.

NOTE: The important safeguards and instructions appearing in this manual are not meant to cover all possible conditions and situations that may occur.

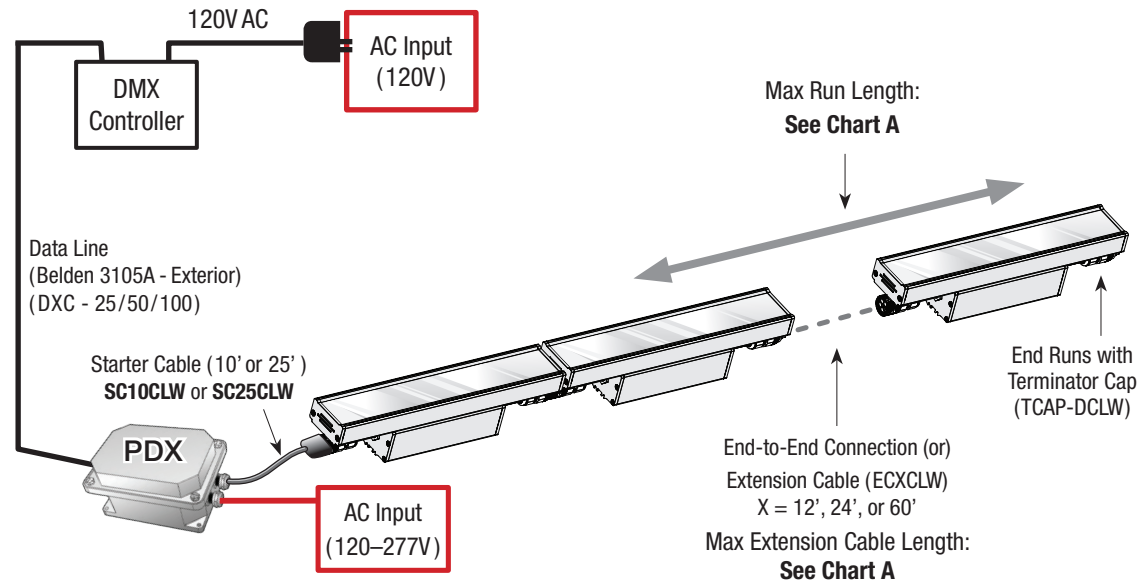
INSTALLATION:

- 1) Verify Physical Layout Plan
 - a) Ensure all hardware is present.
 - b) Ensure all electrical feeds are correctly positioned with all hardware and any other active components.
 - c) Confirm DMX Addressing Plan
 - i. SSL recommends pre-addressing fixtures before mounting installation.
 - ii. Ensure that addressing is documented for future upgrading, configuring or troubleshooting.
 - iii. Create an addressing table to document all fixture IDs and their physical location.



The bottom of each fixture has a unique factory ID number and barcode.

CLWET RGBW - Single Segment Configuration



Max Run Length:
See Chart A

End-to-End Connection (or)
Extension Cable (ECXCLW)
X = 12', 24', or 60'
Max Extension Cable Length:
See Chart A

Chart A

Max run length	120V	240V	277V	Extension Cables
15W	85'	169'	196'	Up to 20' (optional)
8W	131'	262'	304'	Up to 20' (optional)
5W	237'	475'	550'	Up to 20' (optional)

HARDWARE: May include RDM Controller, Exterior Rated Data Line, AC Power Feed, PDX/S box, PDX box, Starter Cords, Terminator Caps, Extension Cables and fixtures.

NOTE: Use Extension Cable when necessary, for corners and extending fixture runs.

IMPORTANT: Max Run Length: See **Chart A**

REQUIRED: Starter Cable (SC10CLW or SC50CLW) and Terminator Cap (TCAPDCLW) are required for every run.

ColourLine™ Wet (CLWET) - INSTALLATION and OPERATION INSTRUCTIONS

CAUTION: BEFORE CONNECTING THE FIXTURE TO A POWER SUPPLY, MAKE SURE THE POWER IS SWITCHED OFF.



corporate
t (877) SSL-GREEN
f (630) 889-8106
 3609 Swenson Ave.
 St. Charles, IL 60174

DETAILED ILLUSTRATION

GENERAL:

1. Before starting the installation, make sure all electricity has been turned off and electrical breaker has been locked out and tagged out.
2. To ensure the success of the installation, be sure to read these instructions and review the diagrams thoroughly before beginning.
3. All electrical connections must be in accordance with local codes, ordinances, or the National Electrical Code.

NOTE: The important safeguards and instructions appearing in this manual are not meant to cover all possible conditions and situations that may occur.

INSTALLATION:

- 1) Verify Physical Layout Plan
 - a) Ensure all hardware is present.
 - b) Ensure all electrical feeds are correctly positioned with all hardware and any other active components.
 - c) Confirm DMX Addressing Plan
 - i. SSL recommends pre-addressing fixtures before mounting installation.
 - ii. Ensure that addressing is documented for future upgrading, configuring or troubleshooting.
 - iii. Create an addressing table to document all fixture IDs and their physical location.



The bottom of each fixture has a unique factory ID number and barcode.

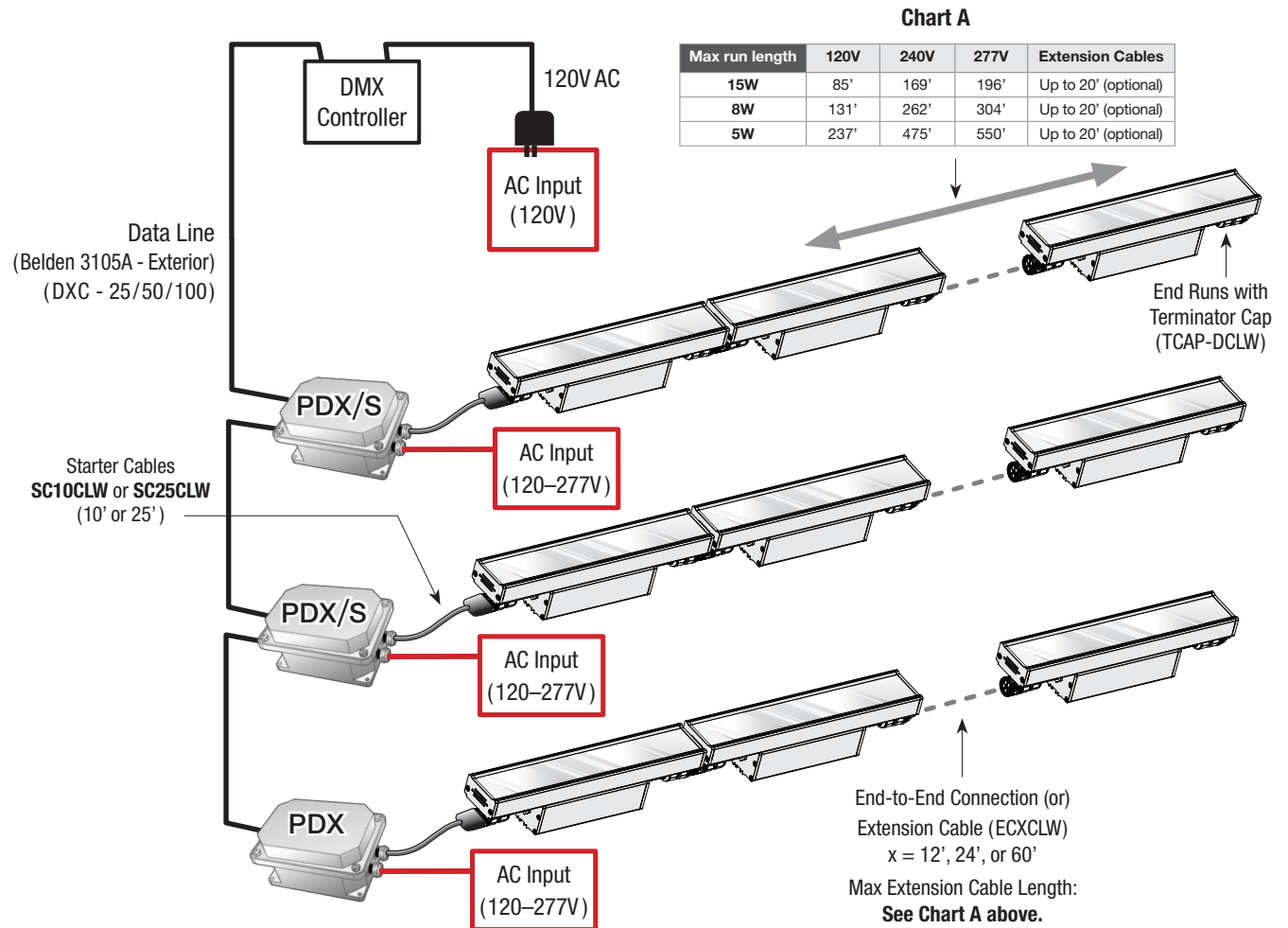
HARDWARE: May include RDM Controller, Exterior Rated Data Line, AC Power Feed, PDX/S box, PDX box, Starter Cords, Terminator Caps, Extension Cables and fixtures.

NOTE: Use Extension Cable when necessary, for corners and extending fixture runs.

IMPORTANT: Max Run Length: See **Chart A**

REQUIRED: Starter Cable (SC10CLW or SC50CLW) and Terminator Cap (TCAPDCLW) are required for every run.

CLWET RGBW - Multiple Segment Configuration



ColourLine™ Wet (CLWET) - INSTALLATION and OPERATION INSTRUCTIONS

CAUTION: BEFORE CONNECTING THE FIXTURE TO A POWER SUPPLY, MAKE SURE THE POWER IS SWITCHED OFF.



corporate
t (877) SSL-GREEN
f (630) 889-8106
 3609 Swenson Ave.
 St. Charles, IL 60174

DETAILED ILLUSTRATION

GENERAL:

1. Before starting the installation, make sure all electricity has been turned off and electrical breaker has been locked out and tagged out.
2. To ensure the success of the installation, be sure to read these instructions and review the diagrams thoroughly before beginning.
3. All electrical connections must be in accordance with local codes, ordinances, or the National Electrical Code.

NOTE: The important safeguards and instructions appearing in this manual are not meant to cover all possible conditions and situations that may occur.

INSTALLATION:

- 1) Verify Physical Layout Plan
 - a) Ensure all hardware is present.
 - b) Ensure all electrical feeds are correctly positioned with all hardware and any other active components.
 - c) Confirm DMX Addressing Plan
 - i. SSL recommends pre-addressing fixtures before mounting installation.
 - ii. Ensure that addressing is documented for future upgrading, configuring or troubleshooting.
 - iii. Create an addressing table to document all fixture IDs and their physical location.

The bottom of each fixture has a unique factory ID number and barcode.



HARDWARE: May include RDM Controller, Exterior Rated Data Line, AC Power Feed, PDX/S box, PDX box, Starter Cords, Terminator Caps, Extension Cords and fixtures.

NOTE: Use Extension Cable when necessary, for corners and extending fixture runs.

IMPORTANT: Max Run Length: **See Chart A**

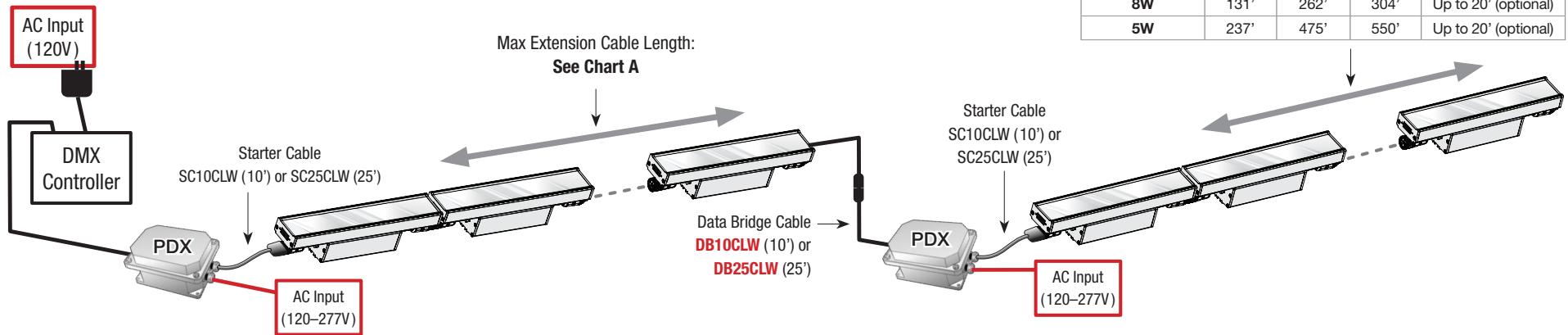
REQUIRED: Starter Cable (SC10CLW or SC50CLW) and Terminator Cap (TCAPDCLW) are required for every run.

REQUIRED: Data Extender Cable (**ED10CLW** 10ft or **ED50CLW** 50ft) for extending each Max Run Length segment.

Chart A

Max run length	120V	240V	277V	Extension Cables
15W	85'	169'	196'	Up to 20' (optional)
8W	131'	262'	304'	Up to 20' (optional)
5W	237'	475'	550'	Up to 20' (optional)

CLWET RGBW - Extended Segment Configuration



3 Max Run Length Extended Segments

Three Max Run Length Segments can be connected before requiring a Repeater.



ColourLine™ Wet (CLWET) - INSTALLATION and OPERATION INSTRUCTIONS

CAUTION: BEFORE CONNECTING THE FIXTURE TO A POWER SUPPLY, MAKE SURE THE POWER IS SWITCHED OFF.



corporate
t (877) SSL-GREEN
f (630) 889-8106
3609 Swenson Ave.
St. Charles, IL 60174

DETAILED ILLUSTRATION

GENERAL:

1. Before starting the installation, make sure all electricity has been turned off and electrical breaker has been locked out and tagged out.
2. To ensure the success of the installation, be sure to read these instructions and review the diagrams thoroughly before beginning.
3. All electrical connections must be in accordance with local codes, ordinances, or the National Electrical Code.

NOTE: The important safeguards and instructions appearing in this manual are not meant to cover all possible conditions and situations that may occur.

INSTALLATION:

- 2) Personality Configuration
 - a) The CLWET "Personality" is the resolution increments that can be configured via software.

NOTE: Personality configuration must be set before setting the DMX addresses.

NOTE: Each increment shows the number of DMX addresses that are used in each fixture for the corresponding personality.

NOTE: Personality 4 shows 6 DMX addresses (channels) representing R, G, B, W, Brightness and Tuneable White.

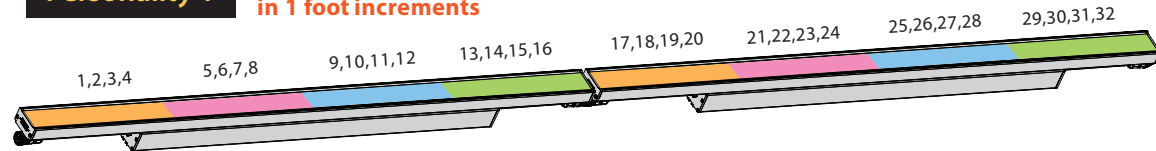
ColourMode RGBW & TUNEABLE WHITE IN ONE



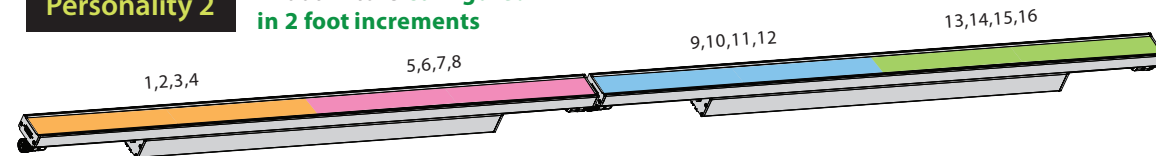
SSL uses Digital Dual Mode (DDM) technology to provide RGBW and Tuneable White in one fixture! SSL firmware is designed to use 6 DMX channels in the DDM Personality Mode. Maximum Mood Enhancement is available to use for any type of environment. Channels 1-4 are reserved for RGBW. Channels 5-6 are used for Tuneable White. Channel 5 controls intensity while channel 6 controls White color temperature.

CLWET - RGBW Personality Options

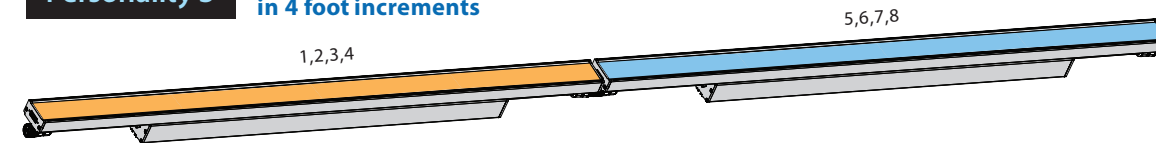
Personality 1 4 foot fixture **configured in 1 foot increments**



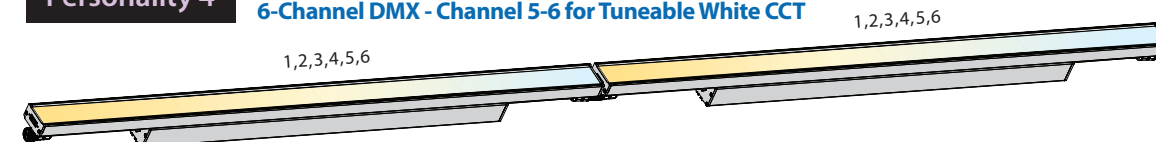
Personality 2 4 foot fixture **configured in 2 foot increments**



Personality 3 4 foot fixture **configured in 4 foot increments**



Personality 4 4 foot fixture **configured in 4 foot increments to support Digital Dual Mode 6-Channel DMX - Channel 5-6 for Tuneable White CCT**



Each increment above shows 6 DMX addresses representing R, G, B, W, Brightness & Tuneable White CCT.

ColourLine™ Wet (CLWET) - INSTALLATION and OPERATION INSTRUCTIONS

CAUTION: BEFORE CONNECTING THE FIXTURE TO A POWER SUPPLY, MAKE SURE THE POWER IS SWITCHED OFF.



corporate
t (877) SSL-GREEN
f (630) 889-8106
 3609 Swenson Ave.
 St. Charles, IL 60174

DETAILED ILLUSTRATION

GENERAL:

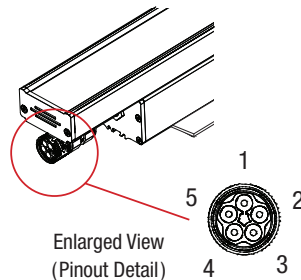
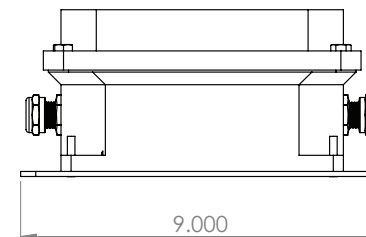
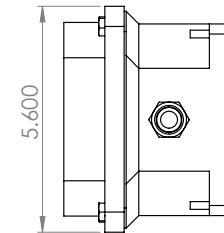
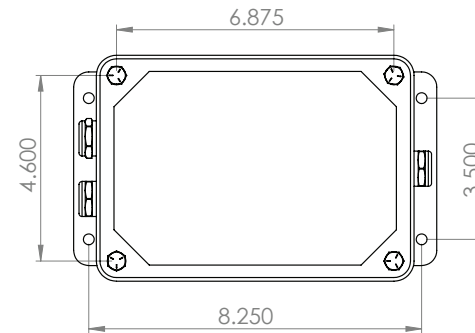
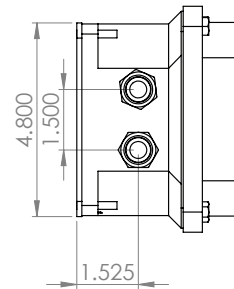
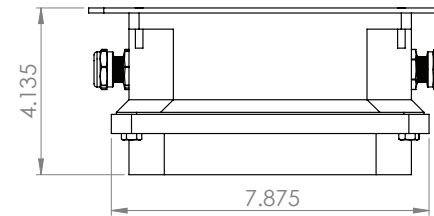
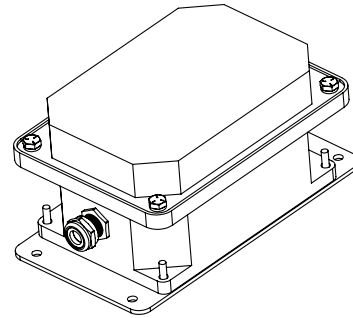
1. Before starting the installation, make sure all electricity has been turned off and electrical breaker has been locked out and tagged out.
2. To ensure the success of the installation, be sure to read these instructions and review the diagrams thoroughly before beginning.
3. All electrical connections must be in accordance with local codes, ordinances, or the National Electrical Code.

NOTE: The important safeguards and instructions appearing in this manual are not meant to cover all possible conditions and situations that may occur.

INSTALLATION:

- 3) PDX (Power/Data Box)
 - a) Mount PDX (PDX is exterior-rated).

NOTE: Use appropriate fasteners for mounting to surface type.



COLOR KEY	
1	Black (+ Positive)
2	White (- Neutral)
3	Green (\neq Ground)
4	Red (<+ Data [+])
5	Orange (<- Data [-])

ColourLine™ Wet (CLWET) - INSTALLATION and OPERATION INSTRUCTIONS

CAUTION: BEFORE CONNECTING THE FIXTURE TO A POWER SUPPLY, MAKE SURE THE POWER IS SWITCHED OFF.



corporate
 t (877) SSL-GREEN
 f (630) 889-8106
 3609 Swenson Ave.
 St. Charles, IL 60174

DETAILED ILLUSTRATION

GENERAL:

1. Before starting the installation, make sure all electricity has been turned off and electrical breaker has been locked out and tagged out.
2. To ensure the success of the installation, be sure to read these instructions and review the diagrams thoroughly before beginning.
3. All electrical connections must be in accordance with local codes, ordinances, or the National Electrical Code.

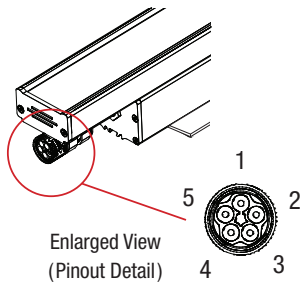
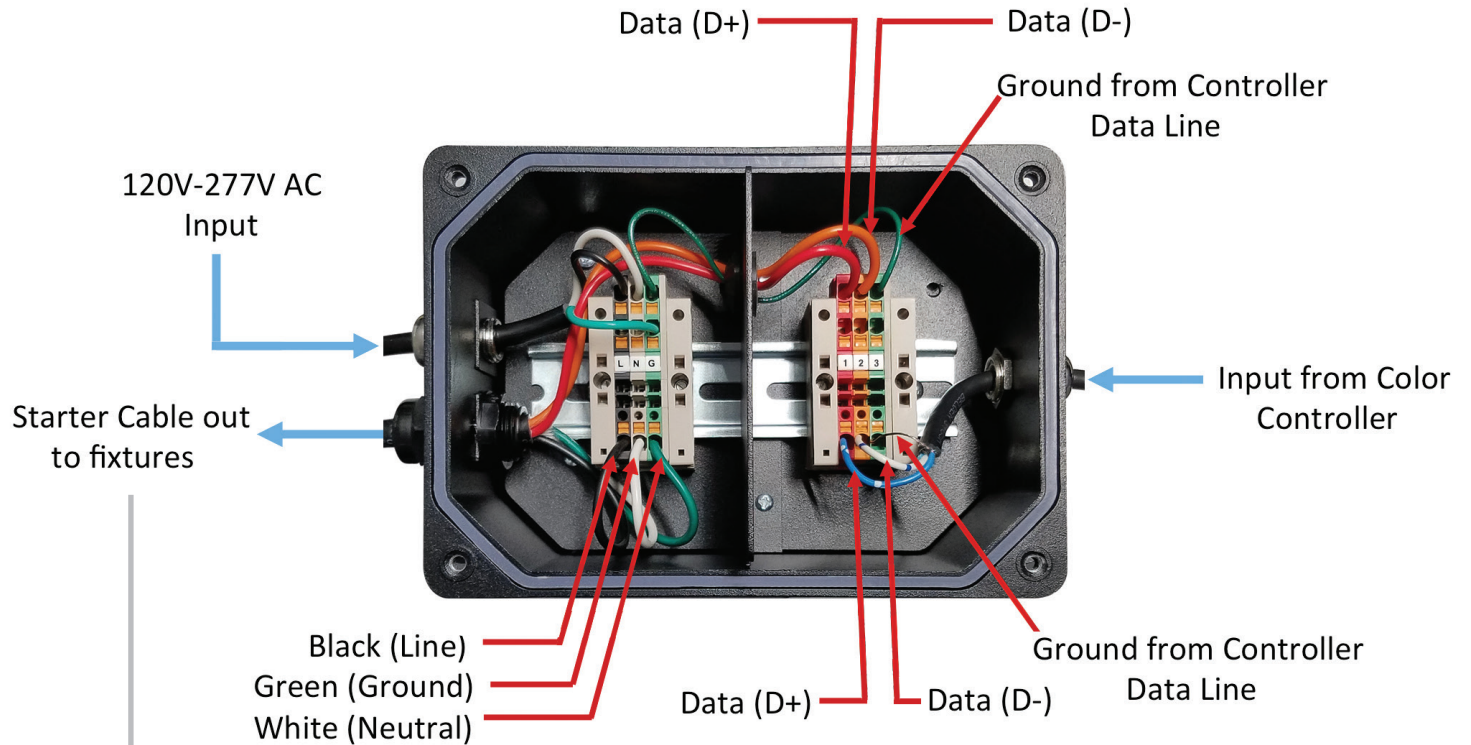
NOTE: The important safeguards and instructions appearing in this manual are not meant to cover all possible conditions and situations that may occur.

INSTALLATION:

- 3) PDX (Power/Data Box)
 - a) Mount PDX (PDX is exterior-rated).

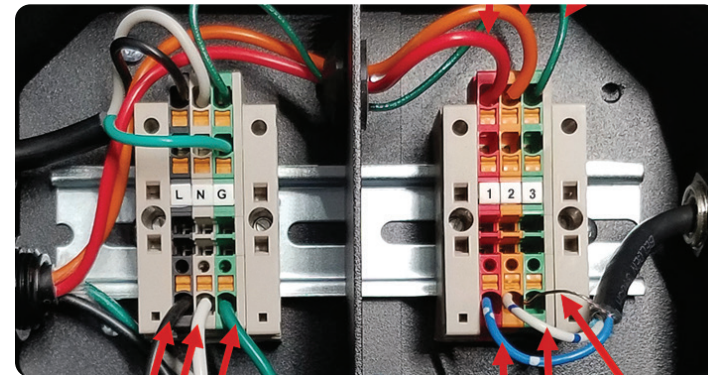
NOTE: Use appropriate fasteners for mounting to surface type.

- b) PDX Wiring Diagram



COLOR KEY	
1	Black (+ Positive)
2	White (- Neutral)
3	Green (≠ Ground)
4	Red (<+ Data [+])
5	Orange (<- Data [-])

CONNECTION DETAIL



ColourLine™ Wet (CLWET) - INSTALLATION and OPERATION INSTRUCTIONS

CAUTION: BEFORE CONNECTING THE FIXTURE TO A POWER SUPPLY, MAKE SURE THE POWER IS SWITCHED OFF.



corporate
 t (877) SSL-GREEN
 f (630) 889-8106
 3609 Swenson Ave.
 St. Charles, IL 60174

DETAILED ILLUSTRATION

GENERAL:

1. Before starting the installation, make sure all electricity has been turned off and electrical breaker has been locked out and tagged out.
2. To ensure the success of the installation, be sure to read these instructions and review the diagrams thoroughly before beginning.
3. All electrical connections must be in accordance with local codes, ordinances, or the National Electrical Code.

NOTE: The important safeguards and instructions appearing in this manual are not meant to cover all possible conditions and situations that may occur.

INSTALLATION:

- 4) Rotate the fixture to one side to expose the screw holes on the Adjustable Mounting Bracket. (Fig-1)
- 5) Correctly align the 5-Pin Connectors using the black arrows on the blue colored rings. Push the two ends together, then rotate the middle ring clockwise to lock ends together. (Fig-2) Do NOT over-tighten.

NOTE: Reverse this sequence to disconnect the two ends.

- 6) When fastening the fixtures in place with the Adjustable Mounting Bracket, be sure to maintain alignment for straight runs to achieve an even linear lighting pattern. (Fig-3)

NOTE: The Adjustable Bracket and the optics used will allow for fine tuning the lighting application.

- 7) Turn on power to the RDM Controller first.

IMPORTANT: This will ensure proper function for capturing data addressing.

- 8) Now turn on power to fixtures.
 - a) Run Solid Color Program to ensure data is working.

NOTE: Light fixtures will illuminate briefly then turn off. Then they're ready for programming.

Adjustable Mounting Bracket

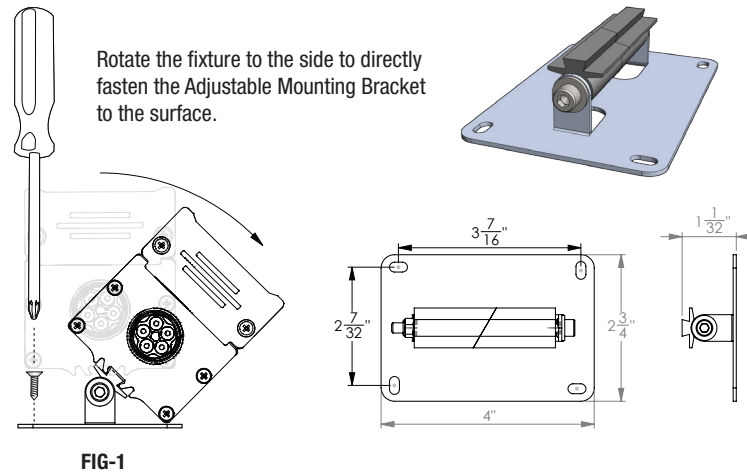


FIG-1

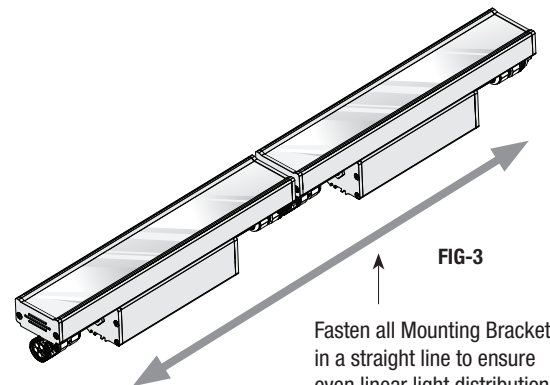


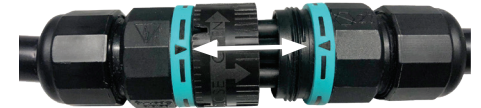
FIG-3

Fasten all Mounting Brackets in a straight line to ensure even linear light distribution.

5-Pin Connectors



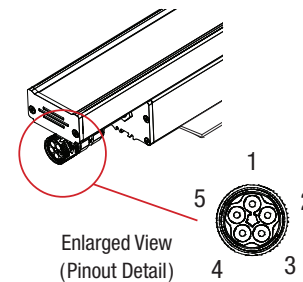
Align Arrows to Connect



Push together and Twist to Lock



FIG-2



Enlarged View (Pinout Detail)

COLOR KEY	
1	Black (+ Positive)
2	White (- Neutral)
3	Green (≠ Ground)
4	Red (<+ Data [+])
5	Orange (<- Data [-])