

CLZMF — INSTALL INFORMATION AND OPERATION INSTRUCTIONS

CAUTION: BEFORE CONNECTING THE LUMINAIRE TO A POWER SUPPLY, MAKE SURE THE POWER IS SWITCHED OFF.



SSL
solid state luminaires
t 800.900.1730
3609 Swenson Ave.
St. Charles, IL 60174

DETAILED ILLUSTRATION

GENERAL:

1. Before starting the installation, make sure all electricity has been turned off and electrical breaker has been locked out and tagged out.
2. To ensure the success of the installation, be sure to read these instructions and review the diagrams thoroughly before beginning.
3. All electrical connections must be in accordance with local codes, ordinances, or the National Electrical Code.

NOTE: The important safeguards and instructions appearing in this manual are not meant to cover all possible conditions and situations that may occur.

INSTALLATION:

Recommended: Due to the weight of the luminaire it is recommended to use two installers for safe handling.

1. Identify all parts are present for assembly and use a sturdy surface to complete assembly. **Fig 1**
2. Prepare end bolts for assembly by placing the Split Washer on the bolt. **Fig 2**
3. Re-Insert the end-bolts onto the housing and hand-tighten.
4. Using the arrows located on side of luminaire, adjust beam target. **Fig 3**
5. Once desired angle is reached, Tighten to **90 IN-LBS** with a 5 mm hex

WARNING: Failure to tighten luminaire to an adequate torque value will result 3G vibration Failure.

Fig 1

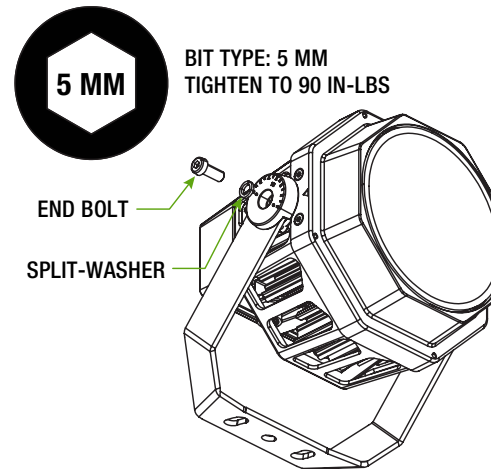


Fig 2

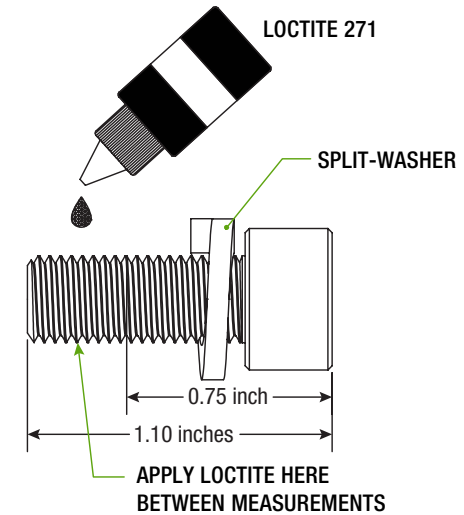
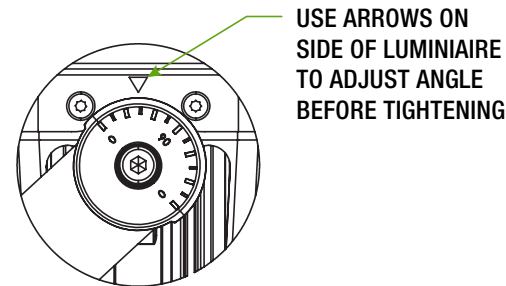


Fig 3



CLZMF — INSTALL INFORMATION AND OPERATION INSTRUCTIONS

CAUTION: BEFORE CONNECTING THE LUMINAIRE TO A POWER SUPPLY, MAKE SURE THE POWER IS SWITCHED OFF.



SSL
solid state luminaires

t 800.900.1730
3609 Swenson Ave.
St. Charles, IL 60174

DETAILED ILLUSTRATION

GENERAL:

1. Before starting the installation, make sure all electricity has been turned off and electrical breaker has been locked out and tagged out.
2. To ensure the success of the installation, be sure to read these instructions and review the diagrams thoroughly before beginning.
3. All electrical connections must be in accordance with local codes, ordinances, or the National Electrical Code.

NOTE: The important safeguards and instructions appearing in this manual are not meant to cover all possible conditions and situations that may occur.

INSTALLATION:

FULL VISOR (FV)

1. Place the Full Visor over the top of the Micro Flood luminaire and align the four holes in the Visor with the four screw holes on the luminaire.

Fig 1

2. Fasten the Full Visor down onto the Micro Flood luminaire using the four provided screws. Tighten evenly alternating opposite sides. **Fig 2**

HALF VISOR (HV)

IMPORTANT: Ensure you're installing the Half Visor with the high side on the appropriate side of the luminaire for the intended light cutoff.

1. Place the Half Visor over the top of the Micro Flood luminaire and align the four holes in the Visor with the four screw holes on the luminaire.

Fig 3

2. Fasten the Half Visor down onto the Micro Flood luminaire using the four provided screws. Tighten evenly alternating sides. **Fig 4**

ROCK GUARD (RG)

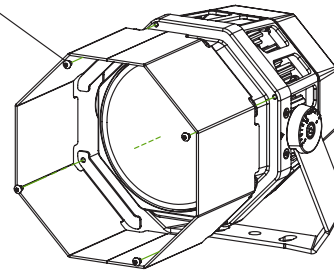
IMPORTANT: Ensure you're installing the Rock Guard so that the optics line up in between the guard slats to prevent light cutoff.

1. Place the Rock Guard over the top of the Micro Flood luminaire and align the four holes in the Visor with the four screw holes on the luminaire. **Fig 5**

2. Fasten the Rock Guard down onto the Micro Flood luminaire using the four provided screws. Tighten evenly alternating sides. **Fig 6**

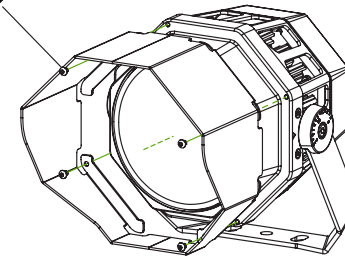
Full Visor (FV)

Fig 1



Half Visor (HV)

Fig 3



Rock Guard (RG)

Fig 5

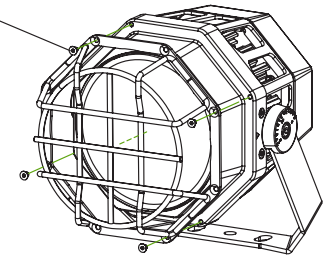
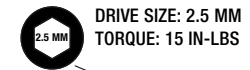


Fig 2

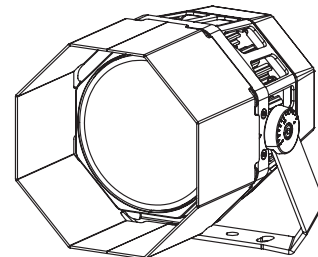


Fig 4

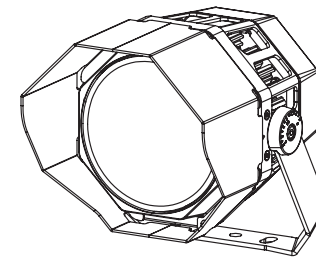
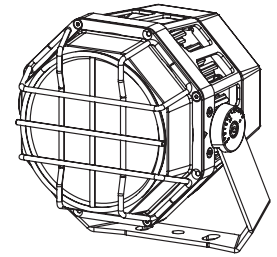


Fig 6



CLZMF — INSTALL INFORMATION AND OPERATION INSTRUCTIONS

CAUTION: BEFORE CONNECTING THE LUMINAIRE TO A POWER SUPPLY, MAKE SURE THE POWER IS SWITCHED OFF.



SSL
solid state luminaires
t 800.900.1730
3609 Swenson Ave.
St. Charles, IL 60174

DETAILED ILLUSTRATION

GENERAL:

1. Before starting the installation, make sure all electricity has been turned off and electrical breaker has been locked out and tagged out.
2. To ensure the success of the installation, be sure to read these instructions and review the diagrams thoroughly before beginning.
3. All electrical connections must be in accordance with local codes, ordinances, or the National Electrical Code.

NOTE: The important safeguards and instructions appearing in this manual are not meant to cover all possible conditions and situations that may occur.

INSTALLATION:

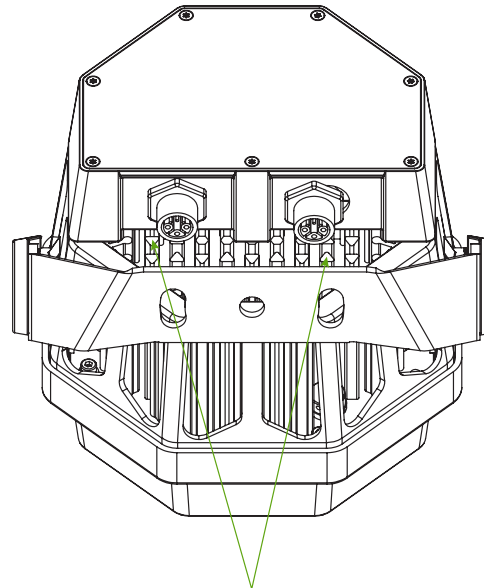
1. Once the Modules and Bracket Arms have been assembled and bolted into place, the next step is to run power and data lines to and from the luminaire modules.
2. All connections to and from the modules are made on the bottom of the luminaires. **Fig 1**

IMPORTANT: Maximum Units in a Run: **9 Modules (120V)**

REQUIRED: Starter Cable (**SCxxCLZ**) and Terminator Cap (**TCAPDCLZ**) are required for every run.

ColourLine Lazer — Basic Luminaire Wiring

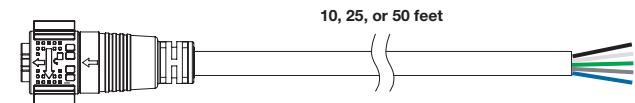
Fig 1 All Connections on Back of Luminaire



CONNECTION ARE MADE HERE.
CONNECT TO EITHER SIDE, BOTH
CONNECTORS ARE THE SAME.

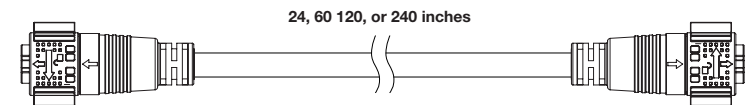
STARTER CORD (SCxxCLZ)

Required Starter Cord comes with a luminaire connector at one end and lead wires at the other end for connecting power & data.



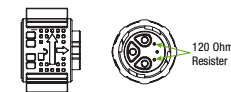
EXTENSION CORD (ECxxCLZ)

The Extension Cord comes with a luminaire connection at each end for connecting power & data.



TERMINATOR CAP (TCAPDCLZ)

Required Starter Cord comes with a luminaire connector at one end and lead wires at the other end for connecting power & data.



CLZMF — INSTALL INFORMATION AND OPERATION INSTRUCTIONS

CAUTION: BEFORE CONNECTING THE LUMINAIRE TO A POWER SUPPLY, MAKE SURE THE POWER IS SWITCHED OFF.



SSL
solid state luminaires
t 800.900.1730
3609 Swenson Ave.
St. Charles, IL 60174

DETAILED ILLUSTRATION

ColourLine Lazer — Basic Component Configurations

GENERAL:

1. Before starting the installation, make sure all electricity has been turned off and electrical breaker has been locked out and tagged out.
2. To ensure the success of the installation, be sure to read these instructions and review the diagrams thoroughly before beginning.
3. All electrical connections must be in accordance with local codes, ordinances, or the National Electrical Code.

NOTE: The important safeguards and instructions appearing in this manual are not meant to cover all possible conditions and situations that may occur.

INSTALLATION:

1. Verify Physical Layout Plan
 - a. Ensure all luminaires, components and wiring hardware are present before starting installation.
 - b. Fasten the luminaires and other components in place.
 - c. Run wire cable and complete connections as indicated in the diagrams to the right.
2. All connections to and from the modules are made on the bottom of the luminaires.

HARDWARE: May include RDM Controller, Exterior Rated Data Line, AC Power Feed, PDX/S box, PDX box, Starter Cords, Terminator Caps, Extension Cables and luminaires.

NOTE: Use Extension Cable when necessary, for corners and extending luminaire runs.

IMPORTANT: Maximum Units in a Run: **9 Modules (120V)**

REQUIRED: Starter Cable (**SCxxCLZ**) and Terminator Cap (**TCAPDCLZ**) are required for every run.

Component Identification

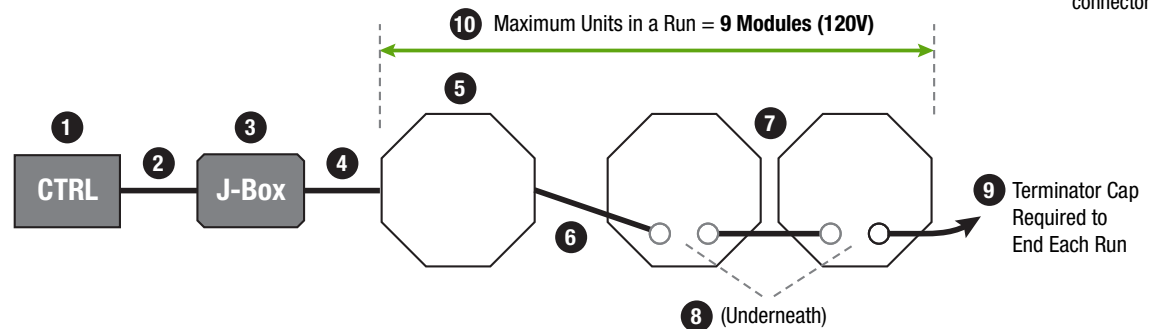
- 1) DMX Color Controller (see last page)
- 2) DMX Data Cable **DXC-xx** or **CD-xx** (CSC only)
- 3) PDX Power Data Wiring Box
- 4) Starter Cord **SCxxCLZ**
- 5) ColourLine Lazer (**CLZMF**)
- 6) Extension Cord **ECxxCLZ** (connect at back of luminaire)
- 7) Connected ColourLine Lazer Micro (**CLZMF**)
- 8) Extension Cords connect luminaires **ECxxCLZ**
- 9) Terminator Cap **TCAPDCLZ** (required at end of run)
- 10) Maximum Units in a Run (before adding more power):
9 Modules (120V), 18 Modules (277V)

Back of Luminaire Connections



Connect to either side, both connectors are the same.

Back of Luminaire Connections



CLZMF — INSTALL INFORMATION AND OPERATION INSTRUCTIONS

CAUTION: BEFORE CONNECTING THE LUMINAIRE TO A POWER SUPPLY, MAKE SURE THE POWER IS SWITCHED OFF.



DETAILED ILLUSTRATION

GENERAL:

1. Before starting the installation, make sure all electricity has been turned off and electrical breaker has been locked out and tagged out.
2. To ensure the success of the installation, be sure to read these instructions and review the diagrams thoroughly before beginning.
3. All electrical connections must be in accordance with local codes, ordinances, or the National Electrical Code.

NOTE: The important safeguards and instructions appearing in this manual are not meant to cover all possible conditions and situations that may occur.

INSTALLATION:

1. Verify Physical Layout Plan
 - a. Ensure all hardware is present.
 - b. Ensure all electrical feeds are correctly positioned with all hardware and any other active components.
 - c. Confirm DMX Addressing Plan
 - i. SSL recommends pre-addressing fixtures before mounting installation.
 - ii. Ensure that addressing is documented for future upgrading, configuring or troubleshooting.

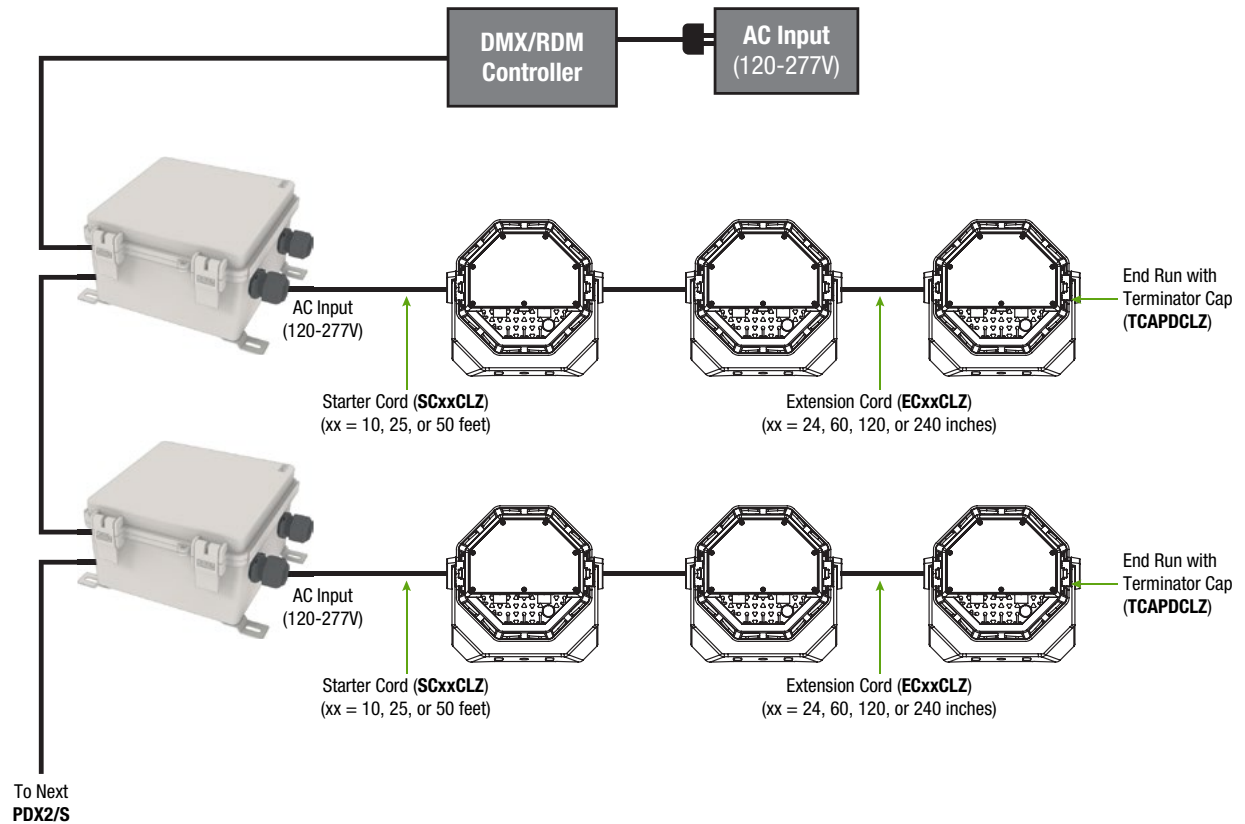
HARDWARE: May include RDM Controller, Exterior Rated Data Line, AC Power Feed, PDX-S box, PDX2 box, Starter Cords, Terminator Caps, Extension Cables and fixtures.

NOTE: Use Extension Cable when necessary, for corners and extending fixture runs.

IMPORTANT: Maximum Units in a Run: **9 Modules (120V)**

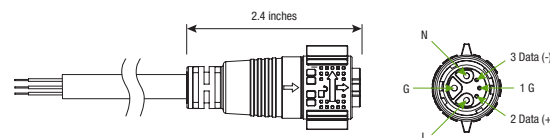
REQUIRED: Starter Cable (**SCxxCLZ**) and Terminator Cap (**TCAPDCLZ**) are required for every run.

CLZMF RGBW — Multiple Segment Configuration

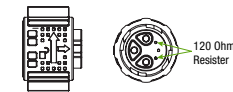


6-Pin Connectors

STARTER CORD (SCxxCLZ)



TERMINATOR CAP (TZCAPDCLZ)



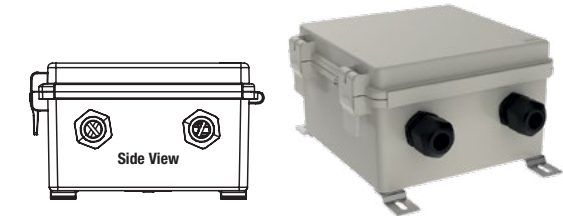
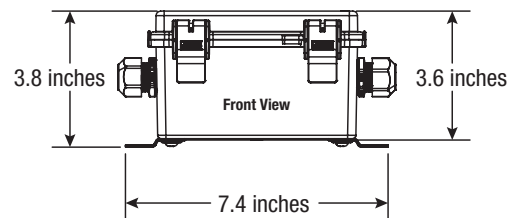
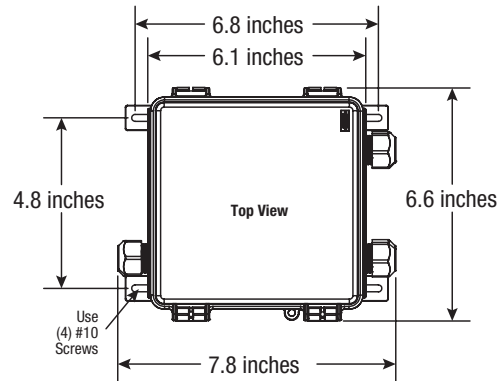
CLZMF — INSTALL INFORMATION AND OPERATION INSTRUCTIONS

CAUTION: BEFORE CONNECTING THE LUMINAIRE TO A POWER SUPPLY, MAKE SURE THE POWER IS SWITCHED OFF.



DETAILED ILLUSTRATION

PDX2 — Power/Data Box



GENERAL:

1. Before starting the installation, make sure all electricity has been turned off and electrical breaker has been locked out and tagged out.
2. To ensure the success of the installation, be sure to read these instructions and review the diagrams thoroughly before beginning
3. All electrical connections must be in accordance with local codes, ordinances, or the National Electrical Code.

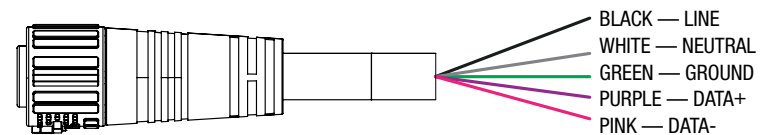
NOTE: The important safeguards and instructions appearing in this manual are not meant to cover all possible conditions and situations that may occur.

INSTALLATION:

1. PDX2 (Power/ Data Box)

- a. Mount PDX2 (PDX2 is exterior-rated).

NOTE: Use appropriate fasteners (#10 screws) for mounting to surface type.



Cable Accessories (order separately)

Accessories (Indicate the quantity needed for each item.) **REQUIRED:** Starter Cable (**SCxxCLZ**) and Terminator Cap (**TCAPDCLZ**) for every run.

- | | | |
|--|---|---|
| _____ SC10CLZ 10 feet Starter Connection Cord | _____ TCAPDCLZ Data Terminator Cap (120 Ohm) | _____ EC120CLZ 120 inches Extension Cord |
| _____ SC25CLZ 25 feet Starter Connection Cord | _____ EC24CLZ 24 inches Extension Cord | _____ EC240CLZ 240 inches Extension Cord |
| _____ SC50CLZ 50 feet Starter Connection Cord | _____ EC60CLZ 60 inches Extension Cord | |

CLZMF — INSTALL INFORMATION AND OPERATION INSTRUCTIONS

CAUTION: BEFORE CONNECTING THE LUMINAIRE TO A POWER SUPPLY, MAKE SURE THE POWER IS SWITCHED OFF.



SSL
solid state luminaires
t 800.900.1730
3609 Swenson Ave.
St. Charles, IL 60174

DETAILED ILLUSTRATION

GENERAL:

1. Before starting the installation, make sure all electricity has been turned off and electrical breaker has been locked out and tagged out.
2. To ensure the success of the installation, be sure to read these instructions and review the diagrams thoroughly before beginning.
3. All electrical connections must be in accordance with local codes, ordinances, or the National Electrical Code.

NOTE: The important safeguards and instructions appearing in this manual are not meant to cover all possible conditions and situations that may occur.

INSTALLATION:

1. PDX2 (Power/ Data Box)

- a. Mount PDX2 (PDX2 is exterior-rated).

NOTE: Use appropriate fasteners (#10 screws) for mounting to surface type.

b. PDX2 Wiring Diagram

PDX2 — Power/Data Box

PDX2 Wiring TOP VIEW

