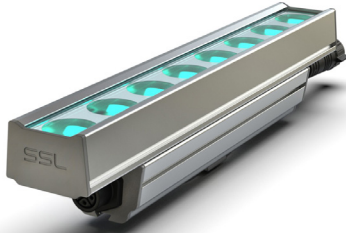


## COLOURLINE LAZERLINE WET

Exterior RGBW & RGBA  
Luminaire



<b>Date:</b>	<b>Approved:</b>
<b>Type:</b>	
<b>Luminaire:</b>	
<b>Project:</b>	

**ColourLine LazerLine Wet (CLZWET)** is the newest part of our LazerLine Series, featuring our new high-performance ColourFull technology, with superior optic long-casting grazer, wall wash, flood and spot flood capabilities in an IP66 exterior rated Linear form factor. ColourFull luminaires provide maximum output at all times – with all colors, so your application receives the maximum color saturation. It's based on our ColourLine RGBW/RGBA technology that utilizes advanced RDM-DMX protocols combined with a unique optical system to offer one of the most impressive long-throw RGBW lighting solutions in the market. Lazer is equipped with a Slim Form Factor with 90° Adjustable Bracket(s) Standard. Typical applications include large buildings, arenas, towers, monuments, bridges, tunnels, and more.

### SPECIFICATIONS

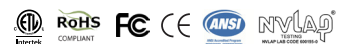
<b>color temperature</b>	<b>RGBW or RGBA</b>
<b>PHYSICAL</b>	
<b>beam spread</b>	9°, 30°, 60°, 80°, 10°x 30°, 10°x 60°, 15°x 25°, 30°x 60°, 50°x 80°
<b>LEDs</b>	8 - RGBW or RGBA Quad LEDs per foot
<b>weight</b>	1.3lbs per foot
<b>housing</b>	Extruded aluminum housing with injection molded end caps
<b>lens</b>	IK08 impact compliant, low-iron tempered glass
<b>mounting</b>	Adjustable Bracket (90°), other options available
<b>ingress protection</b>	dry, damp or wet locations IP66 rated: connectors IP68 (waterproof)
<b>vibration resistance</b>	compliant with 3G ANSI C136.31 for bridge and roadway applications
<b>luminaire connections</b>	daisy chain with male and female twist and lock 5-PIN, IP68 rated connectors

### PERFORMANCE

<b>lumen output [all on]</b>	500 lm per foot (10W) MAX - All On
<b>lumen maintenance</b>	L70 > 70,000 hours
<b>operating temperature</b>	-40°F to 122°F (-40°C to 50°C)
<b>protocols</b>	DMX 512, RDM (ANSI E1.20)
<b>ColourFull (CF)</b>	advanced programming allows for maximum output at all times, regardless of color
<b>ColourQuick (CQ)</b>	provides uniform beam saturation instant color mix 0" from luminaire surface
<b>ColourClone (CC)</b>	manufacturing process uses robotic systems to provide 1 SDCM like consistency between luminaires by calibrating every luminaire to the same exact X, Y, chromaticity coordinates
<b>ColourSoft (CS)</b>	embedded firmware enables 16-bit resolution using only 8-bits of data to enhance the low trim curve for no-flicker at the slowest transition speeds
<b>warranty</b>	5-Year limited warranty

### ELECTRICAL

<b>input voltage</b>	Universal 120 - 277 VAC
<b>power supply</b>	Integral Class II, electronic high-power factor 99% @ 120V
<b>controls</b>	SSL ColourSelect, 3rd party DMX 512, RDM standard based control system
<b>certification</b>	ETL / cETL, FCC Part 15 Class A
<b>standards</b>	UL-Class I
<b>power consumption</b>	10W /1ft @ 120V (40W /4ft @ 120V), ASHRAE: 5W /1ft @ 120V (20W @ 120V / 4ft )



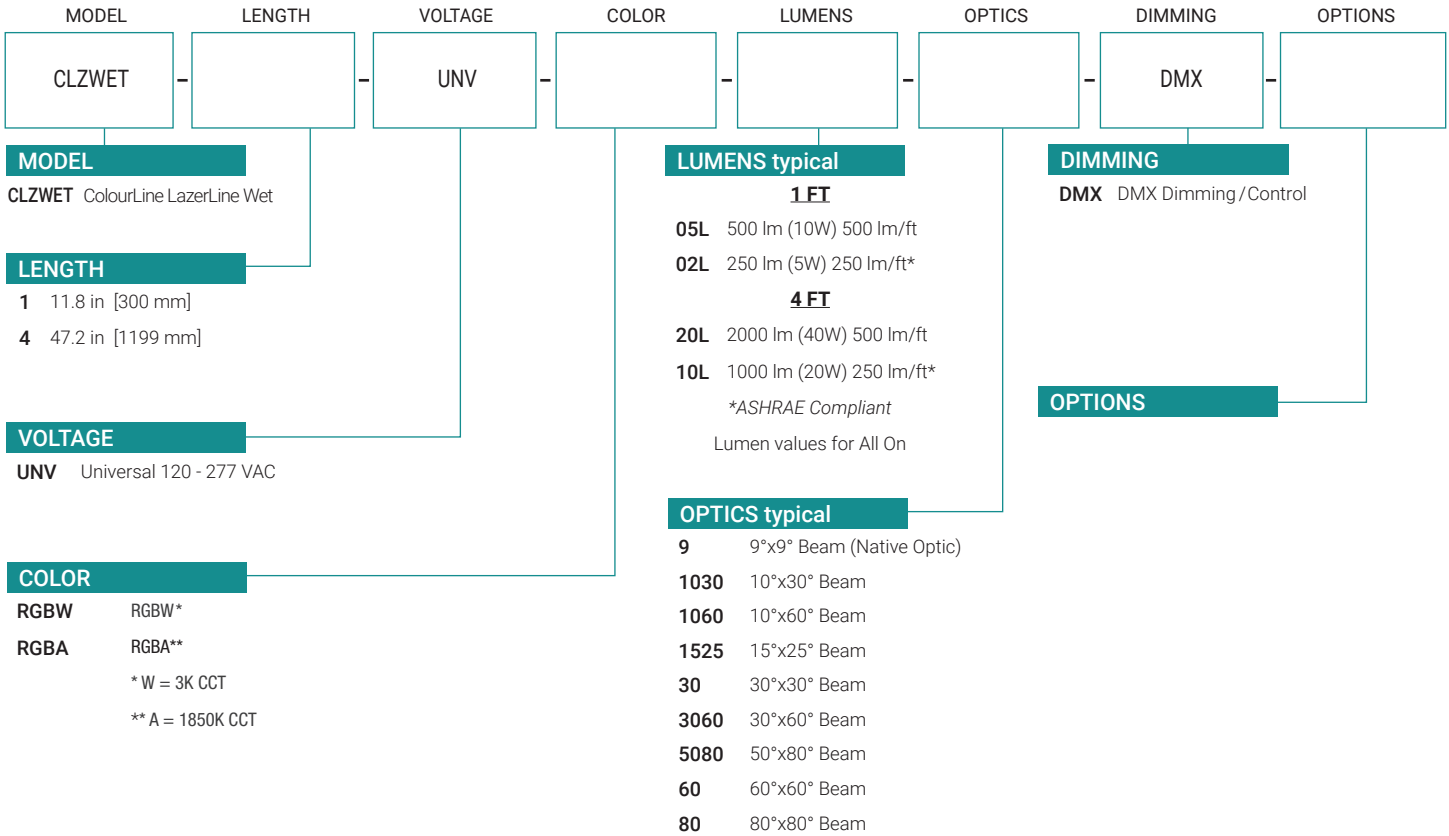
Date: \_\_\_\_\_  
 Type: \_\_\_\_\_  
 Fixture: \_\_\_\_\_  
 Project: \_\_\_\_\_

Approved: \_\_\_\_\_

# ColourLine LazerLine WET

## PART NUMBERS

EXAMPLE: CLZWET-1-UNV-RGBW-05L-9-DMX-CLZWL-1



## ACCESSORIES

(Order separately. Indicate the quantity needed for each item.) (See Page 8 for Maximum Run Lengths)  
 REQUIRED: Starter Connection Cord (SC05/10/25/50LZWET) and Standard Terminator Cap (TCAPDCLZWET) for every run.  
 NOTE: 10°x60°, 30°x60°, 50°x80°, 60°x60° and 80°x80° optical options not recommended for louver options.

- |  |  |   |
|--|--|---|
| _____ SC05LZWET 5 ft. Starter Connection Cord  | _____ EC12LZWET 12 in. Extension Cord  | _____ TCAPDCLZWET Data Terminator Cap (120 Ohm)   |
| _____ SC10LZWET 10 ft. Starter Connection Cord | _____ EC24LZWET 24 in. Extension Cord  | _____ DB25LZWET 25 ft. Data Bridge Cable  |
| _____ SC25LZWET 25 ft. Starter Connection Cord | _____ EC60LZWET 60 in. Extension Cord  | _____ LCLZWL-1 LZWET Louver*  |
| _____ SC50LZWET 50 ft. Starter Connection Cord | _____ EC120LZWET 10 ft. Extension Cord | _____ LCLZWHS-1 LZWET Louver w/ House Shield*   |
|  | _____ EC240LZWET 20 ft. Extension Cord | *One Louver per linear foot (Either LCLZWL-1 or LCLZWHS-1)<br>Each CLZWET-1 requires 1 louver, Each CLZWET-4 requires 4 louvers |

## MOUNTING ACCESSORIES

(Order separately.) (ADBW3 Bracket(s) Included with luminaire.) (Requirements vary for each luminaire ordered. See mounting pages for details.)

Fixture	CA3-X Requirement	_____ CA3-6 Cantilever Arm - 6"	_____ LS-6 Landscape Spike - 6"
1-foot	1	_____ CA3-12 Cantilever Arm - 12"	_____ HLS Heavy Duty Landscape Spike
4-foot	2	_____ CA3-18 Cantilever Arm - 18"	_____ CLWFA-KIT Tall Bracket Base*

\*One CLWFA-KIT needed per CLZWET-1,  
Two needed per CLZWET-4

# Controls & Dimensions



## PART NUMBERS

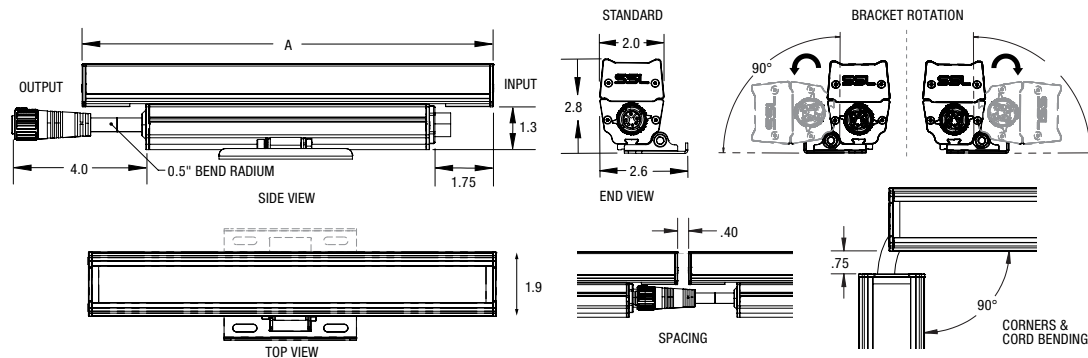
### Control Components (Indicate the quantity needed for each item.)

- |  |  |
|--|--|
| _____ <b>PHAROS TPS-5-B</b> 5" Designer Touch Panel Station                                | _____ <b>DE3BK(WH)</b> Nicolaudie STICK DE-3 Black or White Wall Mount Controller w/color dial |
| _____ <b>PHAROS XPC1</b> Expert Controller; 512 channels of eDMX/DMX                       | _____ <b>CW4-WH</b> Nicolaudie STICK White Touch Screen with Internal WiFi                     |
| _____ <b>PHAROS XPC2</b> Expert Controller; 1024 channels of eDMX/DMX                      | _____ <b>GA2WH(BK)</b> Nicolaudie STICK-GA2 White or Black Wall Mount Controller               |
| _____ <b>PHAROS XPT-5-B</b> Expert Touch Panel; 5" Display in Black                        | _____ <b>DXC-25</b> 25 foot DMX cable  |
| _____ <b>PHAROS TPC-BB</b> Touch Panel Controller - Black on Black (512 Channels EDMX)     | _____ <b>DXC-50</b> 50 foot DMX cable  |
| _____ <b>PHAROS EXT</b> Extension for TPC Connectivity                                     | _____ <b>DXC-100</b> 100 foot DMX cable  |
| _____ <b>PHAROS LPC1</b> Lighting Playback Controller 1 (512 channels DMX/eDMX)            | _____ <b>CD-10</b> 10 foot controller data cable (for CSC only)                                |
| _____ <b>PHAROS LPC2</b> Lighting Playback Controller 2 (1,024 channels DMX/eDMX)          | _____ <b>CD-25</b> 25 foot controller data cable (for CSC only)                                |
| _____ <b>PDX2</b> Power Data Wiring Box (exterior rated)                                   | _____ <b>CD-50</b> 50 foot controller data cable (for CSC only)                                |
| _____ <b>PDX-RDS2</b> Power Data Wiring Box w/2-port splitter                              | _____ <b>CD-100</b> 100 foot controller data cable (for CSC only)                              |
| _____ <b>PDX-RDS4</b> Power Data Wiring Box w/4-port splitter                              | _____ <b>MV 5900</b> Multiverse Show Baby DMX Wireless Bridge (Indoor)                         |
| _____ <b>SCSC-2WH (2BK)</b> White or Black Wall Mount ColourSelect Controller (2 universe) | _____ <b>7400-5707M</b> Show DMX Vero DMX Wireless Bridge (Exterior)                           |
| _____ <b>CSC-E</b> ColourSelect Controller (2 universe)                                    |  |

Controller Data Cables/DMX Cables listed are exterior rated cables.  
(Belden 3105A or equivalent) CD-XX cables have male XLR at one end.

## DIMENSIONS WITH STANDARD BRACKET

A = luminaire length 1' (12") or 4' (48")



All These Features In A Single Luminaire



**ColourFull**

FULL LUMEN COLOR CHANGING

- Full Power LED with any color transition
- Consistent rich color across the light spectrum
- Full output power with any color

ColourFull luminaires provide maximum output at all times – with all colors, so your application receives the maximum color saturation. Using a Custom Tooled Native Optic with a collimating color mixing chamber that mixes at the phosphor level enabling unique color combinations.



**ColourQuick**

RAPID-MIX COLOR

- Instantaneous Color Mixing – Within 1 inch
- Shortest Distance in Industry for Blending Colors
- 4-in-1 RGBW LED designed to SSL Specifications

ColourLine RGBW luminaires provide the quickest color mixing in the industry. The SSL ColourQuick technology enables our ColourLine Linear Indoor Cove and Graze, as well as, our Outdoor Floods to color-mix almost instantly, within one inch.



**ColourClone**

TRU-COLOR RGBW MATCHING

- Robotic Calibration of every luminaire provides 1-Step consistency
- Every luminaire has same X, Y color coordinates
- Perfect match for add-ons and replacements

As part of our manufacturing process, SSL Automated Manufacturing Robots calibrate every luminaire to the exact same X,Y color coordinates to provide Step-1 like consistency. This process enables every luminaire to be an exact clone. At the end of the process, a bar code is generated for every board. This allows for exact matching for job add-ons or warranty replacements.



**ColourSoft**

SMOOTH LOW-TRIM DIMMING

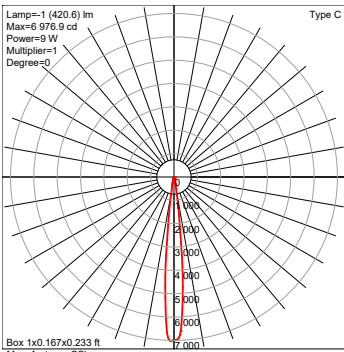
- Flicker-Free Color Transitions and Dimming
- 16-bit performance (65,536 steps) using only 8-bit addressing
- SSL Engineered Custom Software and Firmware

Standard dimming technology uses 8-bit resolution for 256 individual steps. Our 32-bit on-board MCU uses SSL developed software to provide 16-bit resolution that allows 65,536 steps of resolution and only use 8-bits of addressing space! We also use a logarithmic delineation of the resolution to concentrate in the lower third of the dimming curve so the low-end dimming and color transitions have zero flicker.

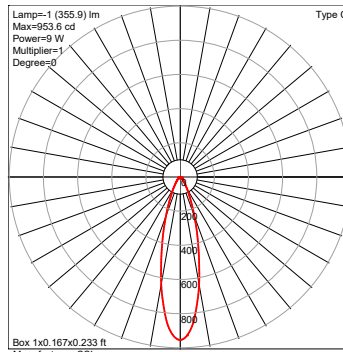
Scalable

- Full DMX, RDM control capability with latest industry standards
- A wide variety of DMX protocol controls and system accessories
- SSL has many RGBW products utilizing the ColourLine Technology
- Multiple personality settings to enhance RGBW & Tunable White
- Control 1000's of DMX channels with multiple universes & zones
- Powerful luminaires with super optics for long-throw applications
- SSL provides turnkey design and technical integration support

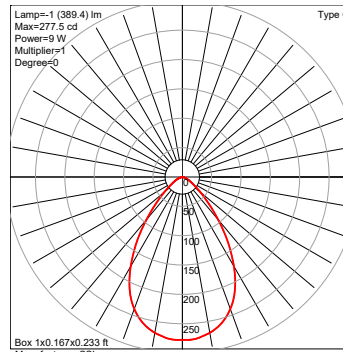
CLZWET 1FT / 4FT RGBW



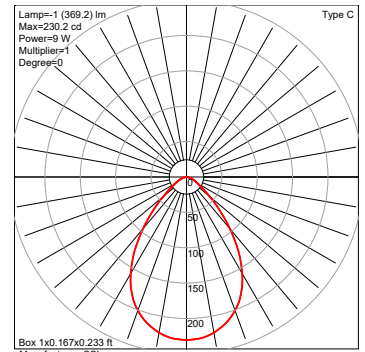
Manufacturer: SSL  
Luminaire catalog: CLZWET  
Luminaire: CLZWET-1-UNV-RGBW-05L-9-DMX (ALL ON)



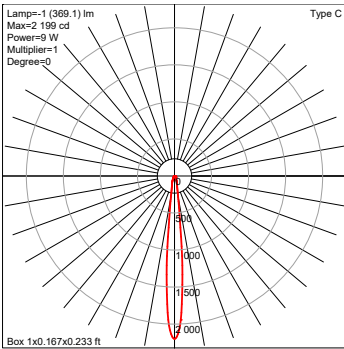
Manufacturer: SSL  
Luminaire catalog: CLZWET  
Luminaire: CLZWET-1-UNV-RGBW-05L-30-DMX (ALL ON)



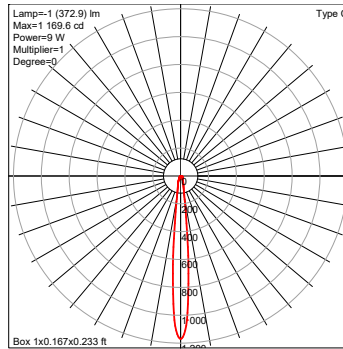
Manufacturer: SSL  
Luminaire catalog: CLZWET  
Luminaire: CLZWET-1-UNV-RGBW-05L-60-DMX (ALL ON)



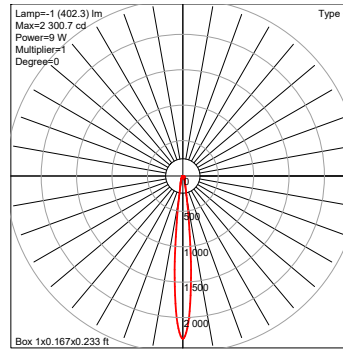
Manufacturer: SSL  
Luminaire catalog: CLZWET  
Luminaire: CLZWET-1-UNV-RGBW-05L-80-DMX (ALL ON)



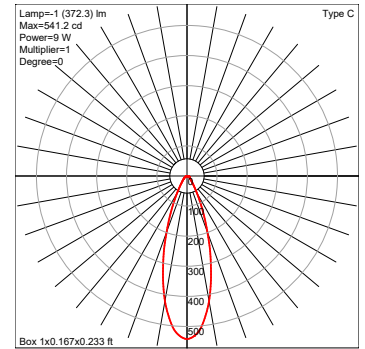
Manufacturer: SSL  
Luminaire catalog: CLZWET  
Luminaire: CLZWET-1-UNV-RGBW-05L-1030-DMX (ALL ON)



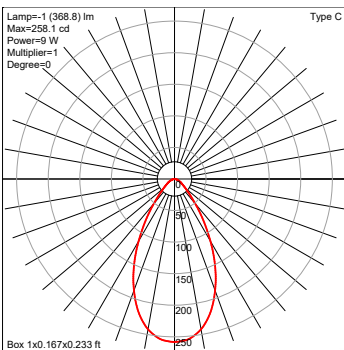
Manufacturer: SSL  
Luminaire catalog: CLZWET  
Luminaire: CLZWET-1-UNV-RGBW-05L-1060-DMX (ALL ON)



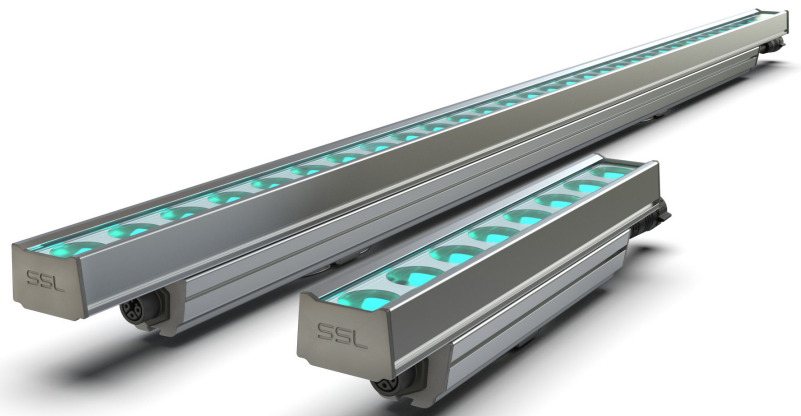
Manufacturer: SSL  
Luminaire catalog: CLZWET  
Luminaire: CLZWET-1-UNV-RGBW-05L-1525-DMX (ALL ON)



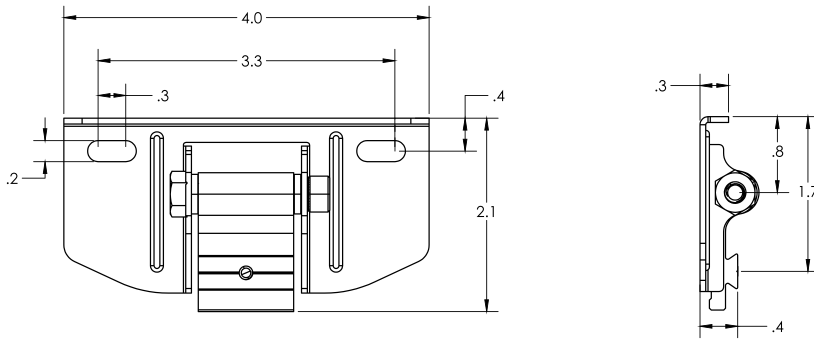
Manufacturer: SSL  
Luminaire catalog: CLZWET  
Luminaire: CLZWET-1-UNV-RGBW-05L-3060-DMX (ALL ON)



Manufacturer: SSL  
Luminaire catalog: CLZWET  
Luminaire: CLZWET-1-UNV-RGBW-05L-5080-DMX (ALL ON)

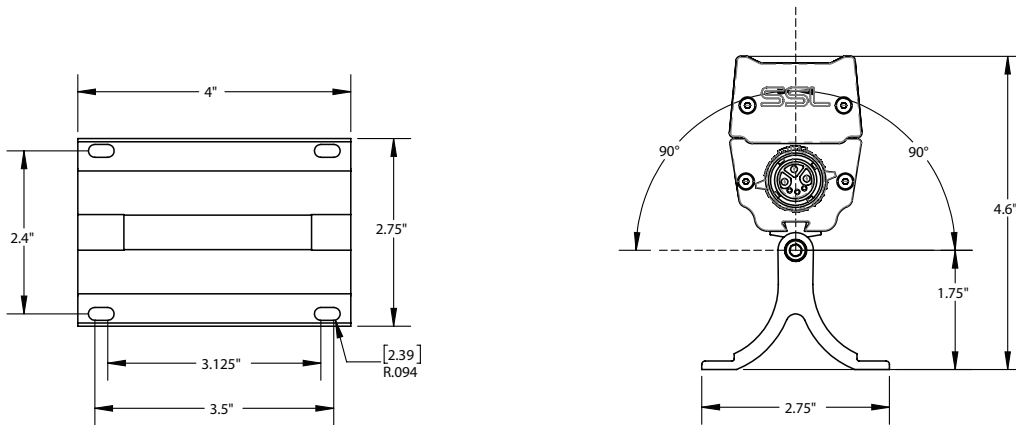


### ADBW3 - 90° ADJUSTABLE BRACKET

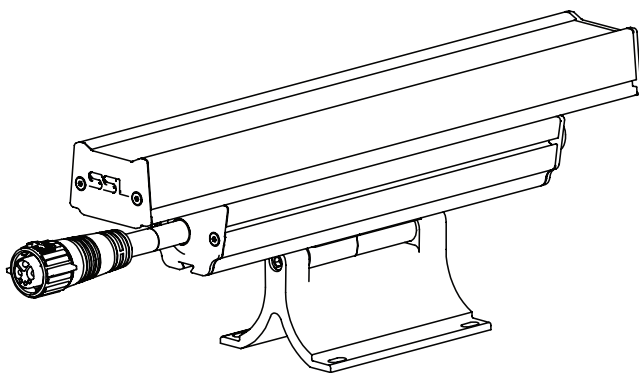


CLZWET	ADBW3 Requirement
1'	1
4'	2

### CLWFA-KIT - TALL BRACKET BASE



CLZWET	CLWFA-KIT Requirement
1'	1
4'	2

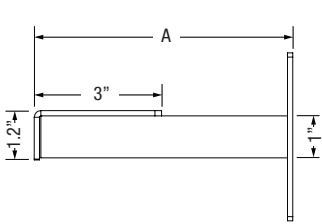


# Mounting & Accessories

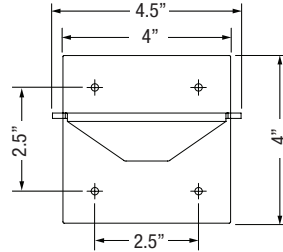
## ColourLine LazerLine Wet

### CANTILEVER ARM - CA2 (Available in 3 Lengths)

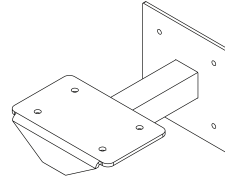
CA3	(A) Arm Length	Luminaire	CA3 Requirement
CA3-6	6"	1-foot	1
CA3-12	12"	4-foot	2
CA3-18	18"		



SIDE VIEW

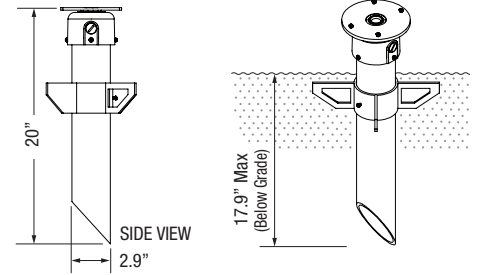


FRONT VIEW



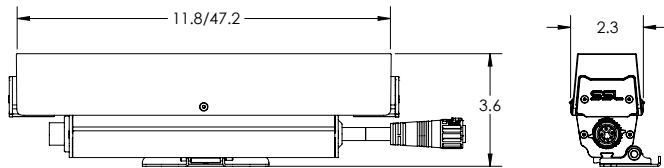
ISOMETRIC VIEW

### HEAVY DUTY LANDSCAPE SPIKE - HLS



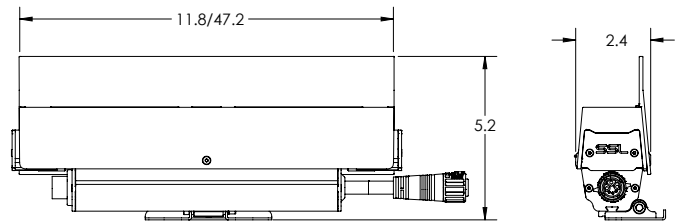
### LOUVRE - LCLZWL-1

Luminaire	Part #	Stacked Length
1FT	1x LCLZWL-1	11.8 in
4FT	4x LCLZWL-1	47.2 in



### LOUVER HOUSE SHIELD - LCLZWHS-1

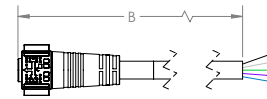
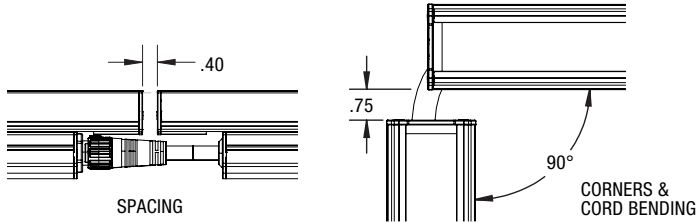
Luminaire	Part #	Stacked Length
1FT	1x LCLZWHS-1	11.8 in
4FT	4x LCLZWHS-1	47.2 in



### CONNECTIONS & CABLES

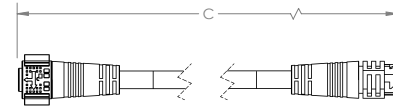
#### GAP BETWEEN CONNECTED FIXTURES

Luminaires connect closely together to ensure runs have an even linear light pattern.



#### STARTER CABLE

MODEL	B
SC05LZWET	5'
SC10LZWET	10'
SC25LZWET	25'
SC50LZWET	50'



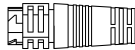
#### EXTENSION CABLE

MODEL	C
EC12LZWET	12"
EC24LZWET	24"
EC60LZWET	60"
EC120LZWET	120"
EC240LZWET	240"

#### TERMINATOR CAP (TCAPDCLZWET)

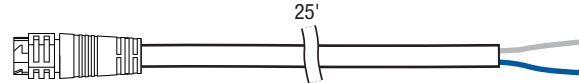
Required Terminator Cap is used at the end of each linear lighting run.

(contains 120 ohm resistor)



#### DATA BRIDGE CABLE (DBxxLZWET) \*Coming Soon

Provides continuation of DMX Data only, from the end of one run to the PDX box of the next run. Luminaire connection at one end and lead wires at the other.

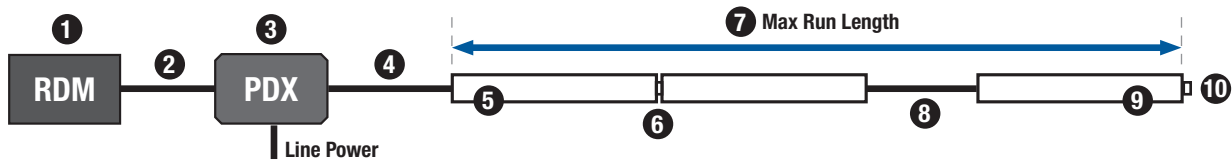


### CLZWET - SINGLE SEGMENT CONFIGURATION EXAMPLE

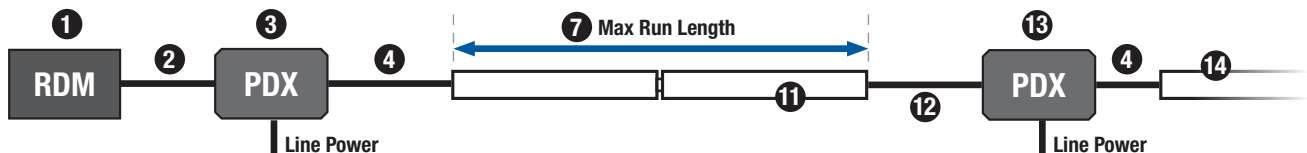
Max run length	120V	277V
5W/FT	160'	360'
10W/FT	80'	180'

#### Component Identification

- 1) RDM DMX Controller (see pg. 9)
- 2) DMX Data Cable **DXC-xx** or **CD-xx** (CSC only)
- 3) PDX Power Data Wiring Box
- 4) Starter Cord **SCxxLZWET**
- 5) First luminaire begins Linear Run
- 6) Luminaires connect end to end
- 7) Distance from 1st to last luminaire in Linear Run
- 8) Extension Cord **ECxxLZWET**  
(Can add up to 50' more Extension Cord to Max Run Length)
- 9) Last luminaire in the Linear Run
- 10) Terminator Cap **TCAPDCLZWET** (required at end of run)
- 11) Last luminaire showing Data Bridge Cable Connection
- 12) Data Bridge Cable **DBxxLZWET** to continue DMX Data only
- 13) PDX Box to connect Data Bridge Cable
- 14) Continuation of controlled Luminaire Run



#### Data Bridge Cable Connection

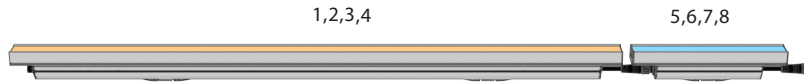




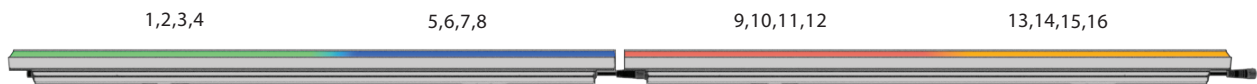
### PERSONALITY - SET AT FACTORY FOR SPECIFIC CAPABILITIES

Consult factory when ordering to establish requirements for personality assignment and other addressing or feature programming to suit application specifics.

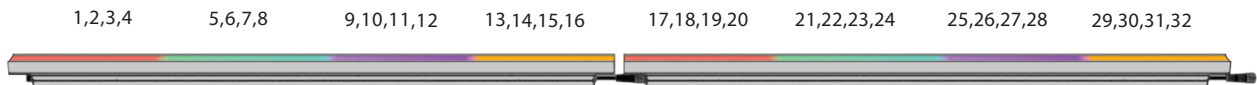
**Personality 1** 4 foot & 1 foot luminaires **configured 4 Channels per luminaire** (R,G,B,W)



**Personality 2** 4 foot luminaire (only) **configured in 2 foot increments** (4 Channels/2ft - R,G,B,W)

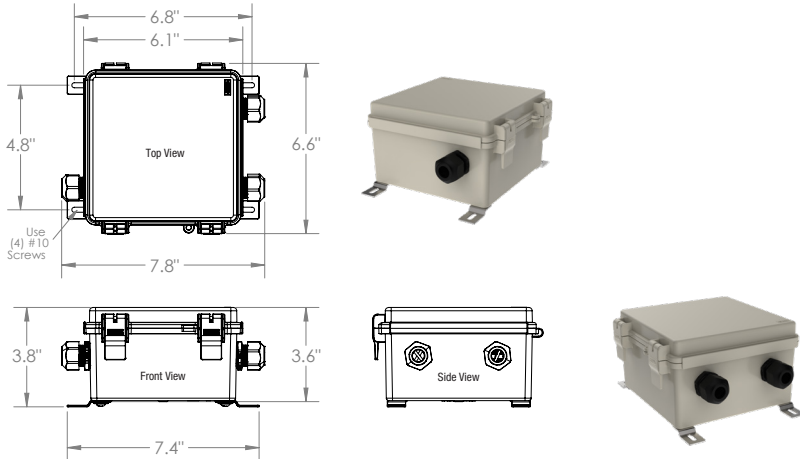


**Personality 3** 4 foot luminaire (only) **configured in 1 foot increments** (4 Channels/1ft - R,G,B,W)

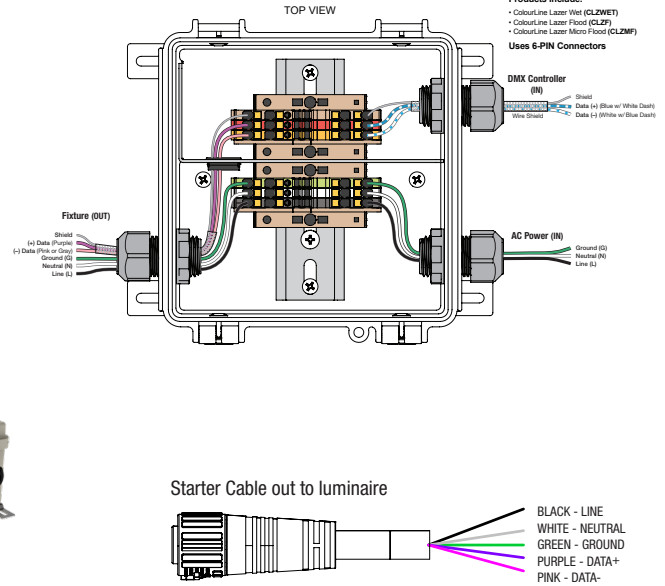


### PDX2 - POWER DATA WIRING BOX (ONE PDX2 REQUIRED PER RUN)

The PDX2 is an exterior-rated enclosure that consolidates multiple input sources into one output to the CLWET luminaires. Data input from the RDM Color controller and AC input combine to provide one output to a Starter Cord. One PDX2 box is required per each luminaire run.

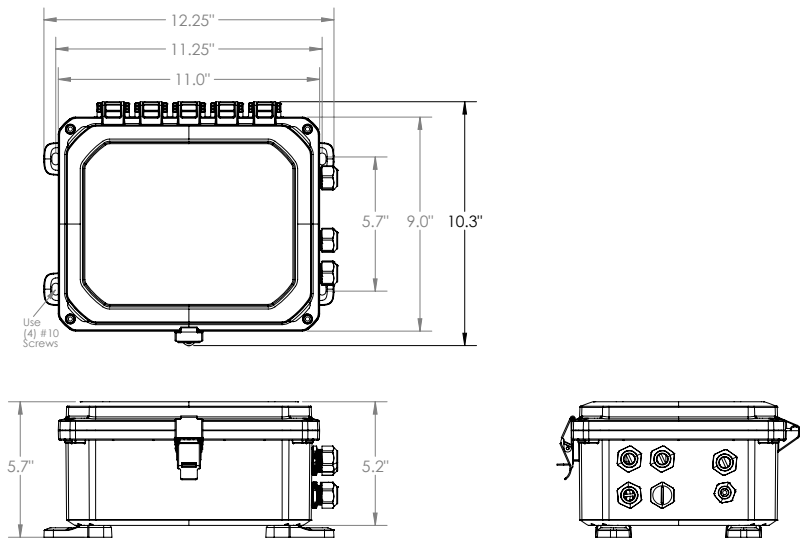


PDX2 Wiring for ColourLine Lazer Series



### PDX-RDS2 - POWER DATA WIRING BOX - WITH 2-PORT SPLITTER

The PDX-RDS2 is an exterior-rated enclosure with a transparent, hinged cover that latches and seals using a formed in place PUR gasket and a stainless steel hinge pin. The PDX-RDS2 houses a DMX/RDM 2 port splitter/repeater that takes in one DMX input and provides two regenerated DMX outputs that can be any combination of starter cords or straight DMX outputs. The repeater allows you to daisy-chain PDX2 or PDX-RDS2 boxes by providing two maximum DMX run length outputs.



#### Connector Identification

- 1) AC Input (Line power)
- 2) DMX Data Cable **DXG-xx** or **GD-xx** (GSC only)
- 3) Starter Cord **SCxxLZWET** one
- 4) Starter Cord **SCxxLZWET** two
- 5) Auxiliary Ground

