

COLOURLINE™ LAZER WET — INSTALLATION INSTRUCTIONS

CAUTION: BEFORE CONNECTING THE LUMINAIRE TO A POWER SUPPLY, MAKE SURE THE POWER IS SWITCHED OFF.

DETAILED ILLUSTRATION



GENERAL:

1. Before starting the installation, make sure all electricity has been turned off and electrical breaker has been locked out and tagged out.
2. To ensure the success of the installation, be sure to read these instructions and review the diagrams thoroughly before beginning.
3. All electrical connections must be in accordance with local codes, ordinances, or the National Electrical Code.

NOTE: The important safeguards and instructions appearing in this manual are not meant to cover all possible conditions and situations that may occur.

INSTALLATION:

- 1) Verify Physical Layout Plan.
 - a) Ensure all hardware is present.
 - b) Ensure all electrical feeds are correctly positioned with all hardware and any other active components.
 - c) Confirm DMX Addressing Plan.
 - i. SSL recommends pre-addressing luminaires before mounting installation.
 - ii. Ensure that addressing is documented for future upgrading, configuring or troubleshooting.
 - iii. Create an addressing table to document all luminaire IDs and their physical location.

HARDWARE: May include RDM Controller, Exterior Rated Data Line, AC Power Feed, PDX/S box, PDX2 box, Starter Cords, Terminator Caps, Extension Cables and luminaires.

NOTE: Use Extension Cable when necessary, for corners and extending luminaire runs.

IMPORTANT: Max Run Length: see **Chart A**.

REQUIRED: Starter Cable (**SC05/10/25/50LZWET** or **SC10LZWETL**) and Terminator Cap (**TCAPDCLZWET**) are required for every run.

CLZWET — Single Segment Configuration

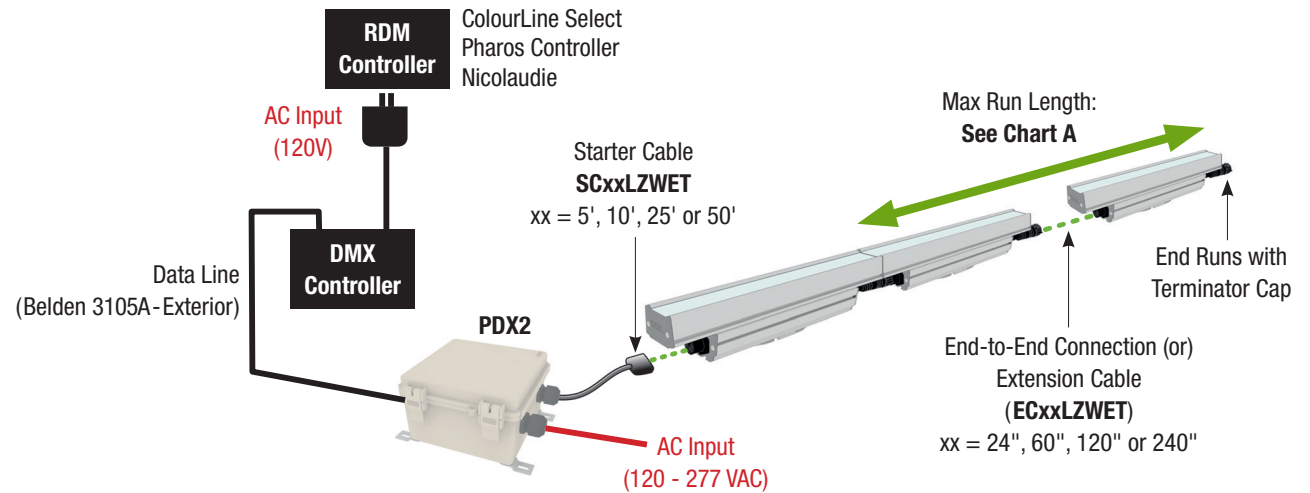


Chart A

Maximum Run Length	120V	277V
5W/FT	160 FT	360 FT
10W/FT	80 FT	180 FT

COLOURLINE™ LAZER WET — INSTALLATION INSTRUCTIONS

CAUTION: BEFORE CONNECTING THE LUMINAIRE TO A POWER SUPPLY, MAKE SURE THE POWER IS SWITCHED OFF.

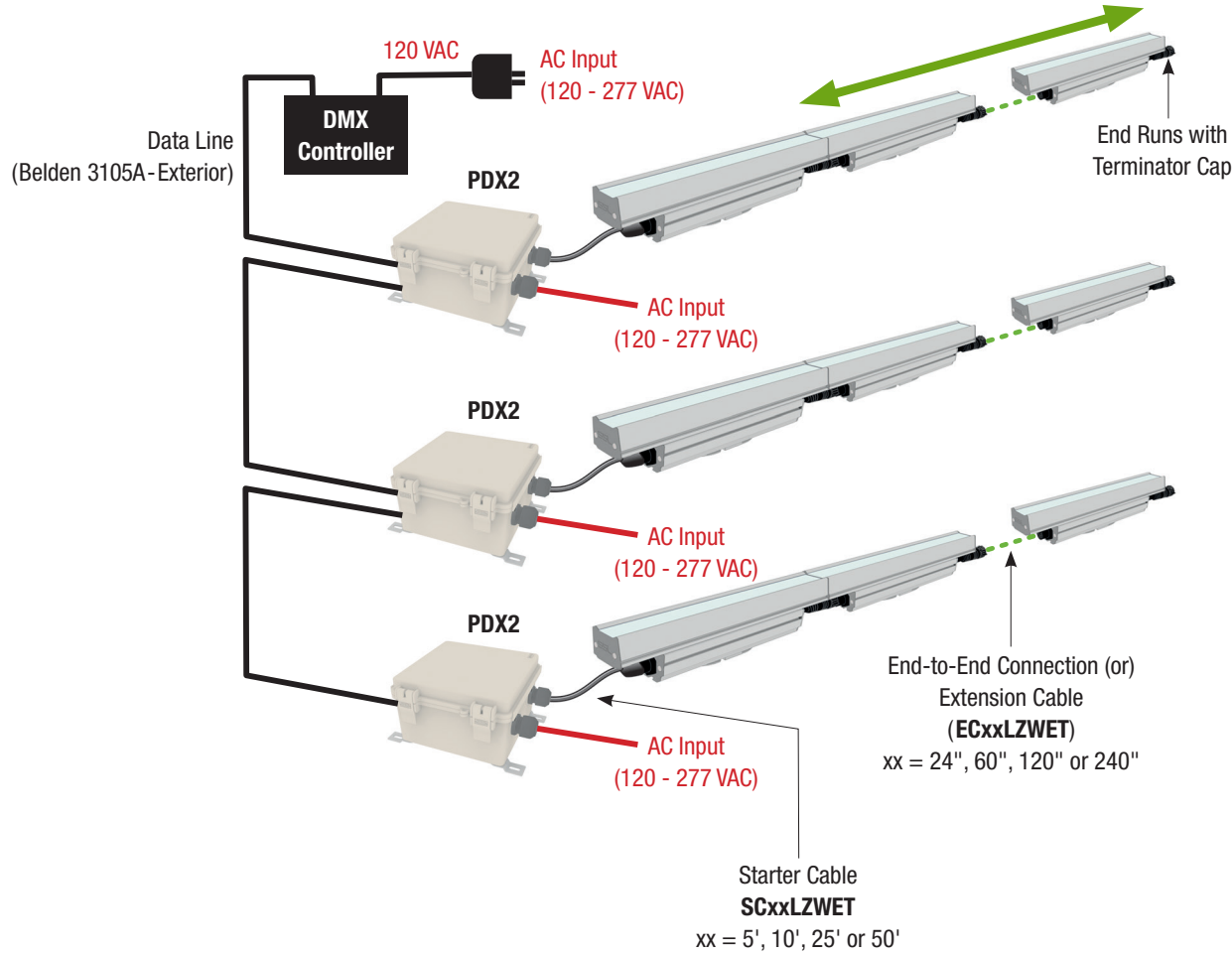
DETAILED ILLUSTRATION



CLZWET — Multiple Segment Configuration

Chart A

Maximum Run Length	120V	277V
5W/FT	160 FT	360 FT
10W/FT	80 FT	180 FT



Important:
Align first luminaire to accept
the Male End of Starter Cord

COLOURLINE™ LAZER WET — INSTALLATION INSTRUCTIONS

CAUTION: BEFORE CONNECTING THE LUMINAIRE TO A POWER SUPPLY, MAKE SURE THE POWER IS SWITCHED OFF.

DETAILED ILLUSTRATION



CLZWET — Extended Segment Configuration

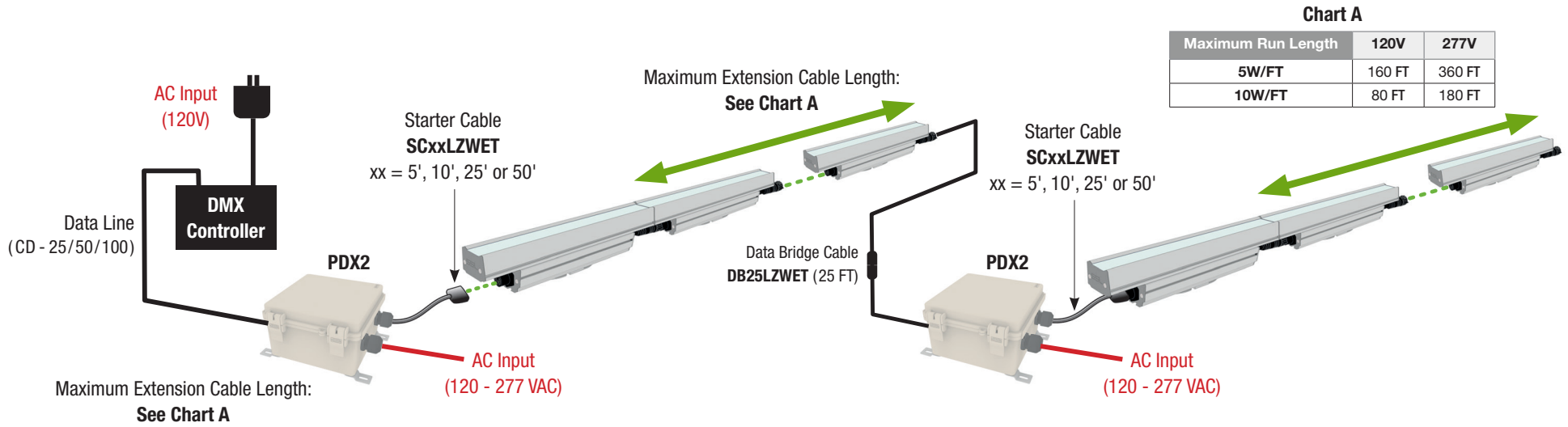


Chart A

Maximum Run Length	120V	277V
5W/FT	160 FT	360 FT
10W/FT	80 FT	180 FT

3 Maximum Run Length Segments

Three Maximum Run Length Segments can be connected before requiring a repeater.



COLOURLINE™ LAZER WET — INSTALLATION INSTRUCTIONS

CAUTION: BEFORE CONNECTING THE LUMINAIRE TO A POWER SUPPLY, MAKE SURE THE POWER IS SWITCHED OFF.



DETAILED ILLUSTRATION

GENERAL:

1. Before starting the installation, make sure all electricity has been turned off and electrical breaker has been locked out and tagged out.
2. To ensure the success of the installation, be sure to read these instructions and review the diagrams thoroughly before beginning.
3. All electrical connections must be in accordance with local codes, ordinances, or the National Electrical Code.

NOTE: The important safeguards and instructions appearing in this manual are not meant to cover all possible conditions and situations that may occur.

INSTALLATION:

1) Personality Configuration

- a) The CLZWET “Personality” is the resolution increments that can be configured via software.

NOTE: Personality configuration must be set before setting the DMX addresses.

NOTE: Each increment shows the number of DMX addresses that are used in each luminaire for the corresponding personality.



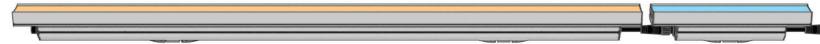
ColourFull luminaires provide maximum output at all times – with all colors, so your application receives the maximum color saturation. Using a Custom Tooled Native Optic with a collimating color mixing chamber that mixes at the phosphor level enabling unique color combinations.

Personality 1

4 foot & 1 foot luminaires configured 4 Channels per luminaire (R,G,B,W)

1,2,3,4

5,6,7,8



Personality 2

4 foot luminaire (only) configured in 2 foot increments (4 Channels/2ft - R,G,B,W)

1,2,3,4

5,6,7,8

9,10,11,12

13,14,15,16



Personality 3

4 foot luminaire (only) configured in 1 foot increments (4 Channels/1ft - R,G,B,W)

1,2,3,4

5,6,7,8

9,10,11,12

13,14,15,16

17,18,19,20

21,22,23,24

25,26,27,28

29,30,31,32



COLOURLINE™ LAZER WET — INSTALLATION INSTRUCTIONS

CAUTION: BEFORE CONNECTING THE LUMINAIRE TO A POWER SUPPLY, MAKE SURE THE POWER IS SWITCHED OFF.

DETAILED ILLUSTRATION



GENERAL:

1. Before starting the installation, make sure all electricity has been turned off and electrical breaker has been locked out and tagged out.
2. To ensure the success of the installation, be sure to read these instructions and review the diagrams thoroughly before beginning.
3. All electrical connections must be in accordance with local codes, ordinances, or the National Electrical Code.

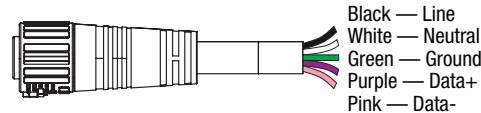
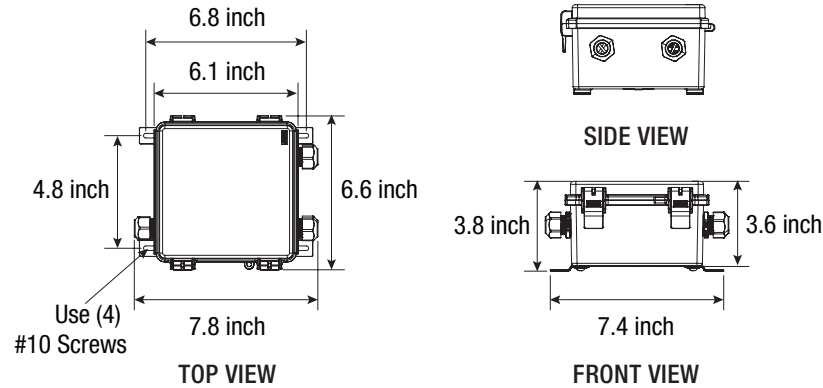
NOTE: The important safeguards and instructions appearing in this manual are not meant to cover all possible conditions and situations that may occur.

INSTALLATION:

- 1) PDX2 (Power/Data Box)
 - a) Mount PDX2 (PDX2 is exterior-rated).

NOTE: Use appropriate fasteners for mounting to surface type.

PDX2 — Power / Data Box



Cable Accessories (order separately)

Accessories (Indicate the quantity needed for each item.) **REQUIRED:** Starter Cable (SCxxCLZ) and Terminator Cap (TCAPDCLZWET) for every run.

- | | | |
|---|--|--|
| _____ SG10CLZ 10 ft. Starter Connection Cord | _____ TCAPDCLZWET Data Terminator Cap (120 Ohm) | _____ EC120LZWET 120 in. Extension Cord |
| _____ SG25CLZ 25 ft. Starter Connection Cord | _____ EC24LZWET 24 in. Extension Cord | _____ EC240LZWET 240 in. Extension Cord |
| _____ SG50CLZ 50 ft. Starter Connection Cord | _____ EC60LZWET 60 in. Extension Cord | |

COLOURLINE™ LAZER WET — INSTALLATION INSTRUCTIONS

CAUTION: BEFORE CONNECTING THE LUMINAIRE TO A POWER SUPPLY, MAKE SURE THE POWER IS SWITCHED OFF.

DETAILED ILLUSTRATION



GENERAL:

1. Before starting the installation, make sure all electricity has been turned off and electrical breaker has been locked out and tagged out.
2. To ensure the success of the installation, be sure to read these instructions and review the diagrams thoroughly before beginning.
3. All electrical connections must be in accordance with local codes, ordinances, or the National Electrical Code.

NOTE: The important safeguards and instructions appearing in this manual are not meant to cover all possible conditions and situations that may occur.

INSTALLATION:

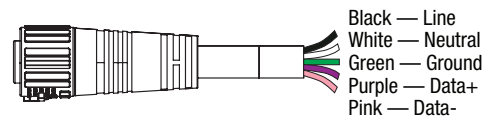
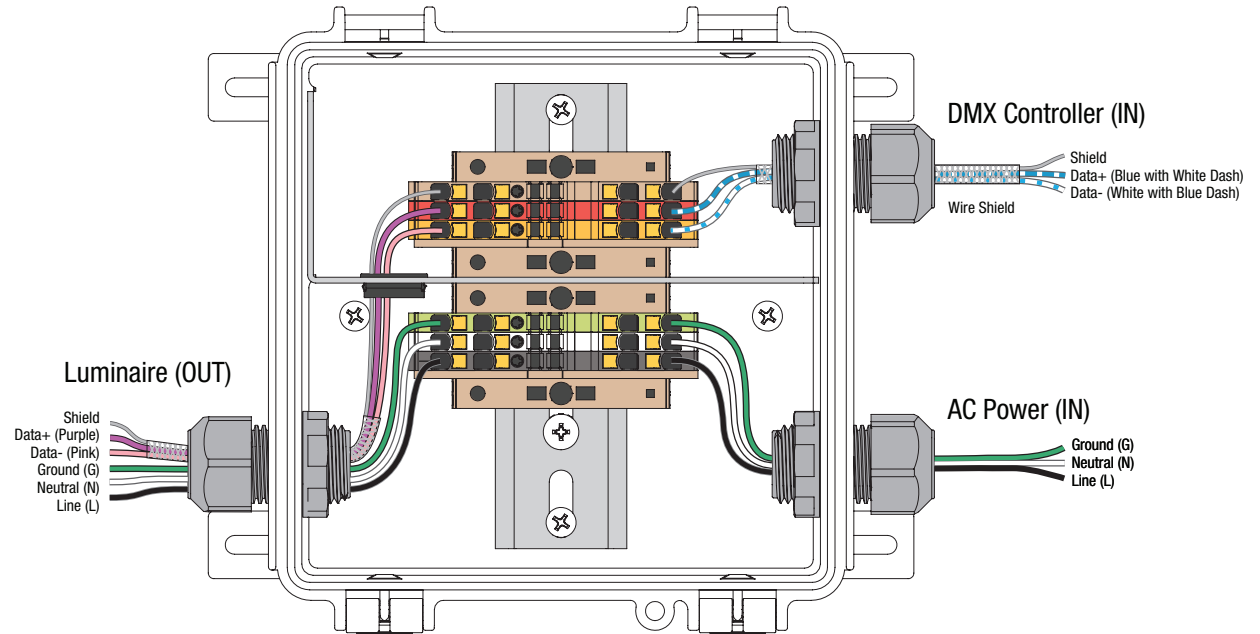
- 1) PDX2 (Power/Data Box)
 - a) Mount PDX2 (PDX2 is exterior-rated).

NOTE: Use appropriate fasteners for mounting to surface type.

- b) PDX2 Wiring Diagram

PDX2 — Wiring

TOP VIEW



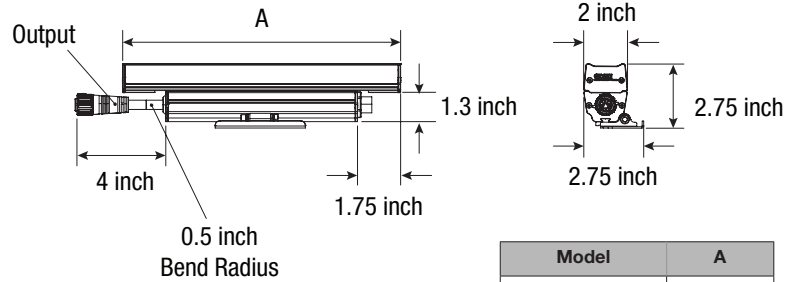
COLOURLINE™ LAZER WET — INSTALLATION INSTRUCTIONS

CAUTION: BEFORE CONNECTING THE LUMINAIRE TO A POWER SUPPLY, MAKE SURE THE POWER IS SWITCHED OFF.

DETAILED ILLUSTRATION



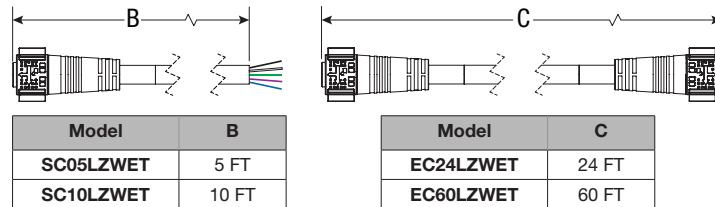
Standard Dimensions & Cables



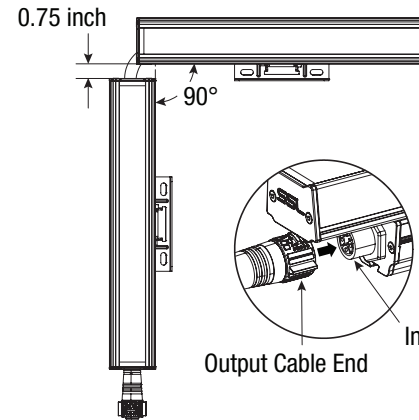
Model	A
CLZWET-1	11.8 inch
CLZWET-4	47.2 inch

Starter Cable

Extension Cable



Corners & Cord Bending

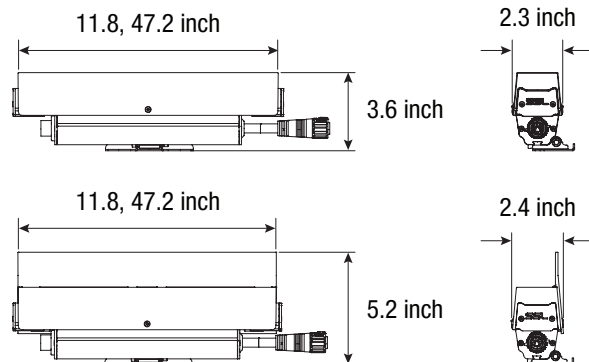


To Add a Second Unit to the Chain, Connect One Module's Cable to Another Module's Input Connector
Make Sure to Check the Orientation of the Three Prongs on the Connectors

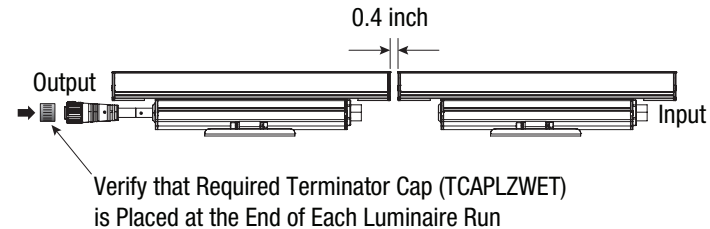
Maximum Run Length	120V	277V
5W/FT	160 FT	360 FT
10W/FT	80 FT	180 FT

Note: 1 FT & 4FT combination run lengths must not exceed MAXIMUM Run Length specified with AC Voltage rating.

Louver Dimensions



Spacing & Terminating Cap



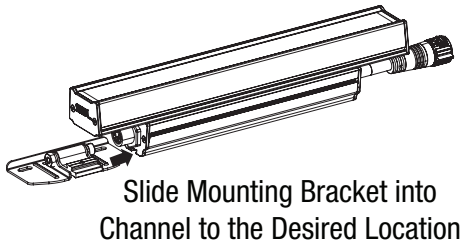
COLOURLINE™ LAZER WET — INSTALLATION INSTRUCTIONS

CAUTION: BEFORE CONNECTING THE LUMINAIRE TO A POWER SUPPLY, MAKE SURE THE POWER IS SWITCHED OFF.

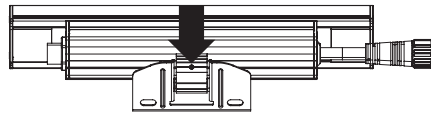
DETAILED ILLUSTRATION



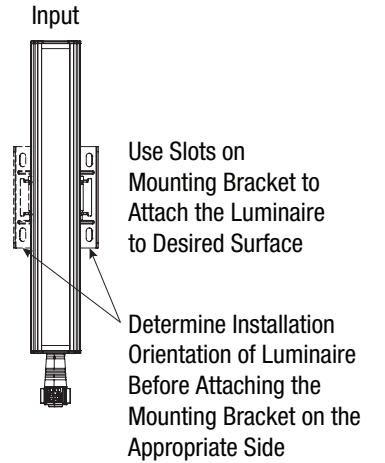
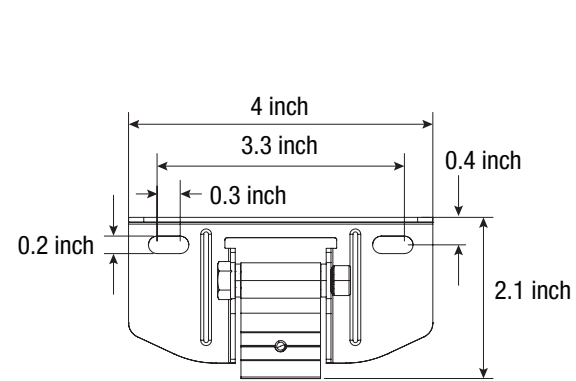
Bracket Mounting



Tighten Set Screw
Using 3/32 Hex Tool
(Torque: 1.5 FT/LBS)

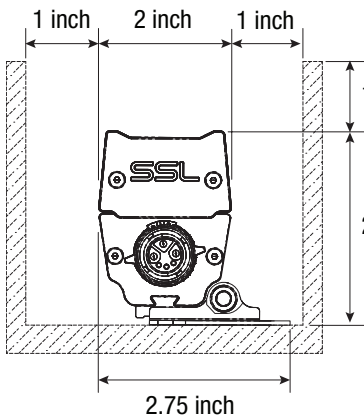


Bracket Footprint

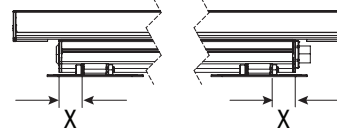


Cove Spacing

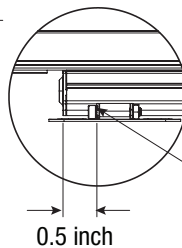
Unit Must Have 1 inch Clearance On All 3 Sides



Both Brackets Must Be Equidistant From Their Respective Edge

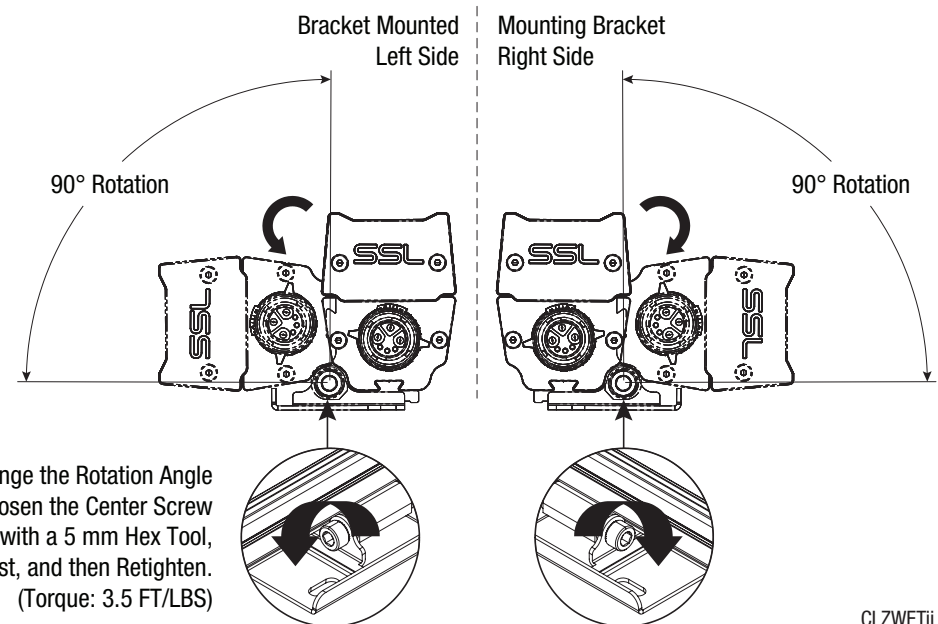


Center Bracket for 1 FT Luminaire



Mounting Bracket Must Be At Least 0.5 inch Away From Edge

Bracket Positioning



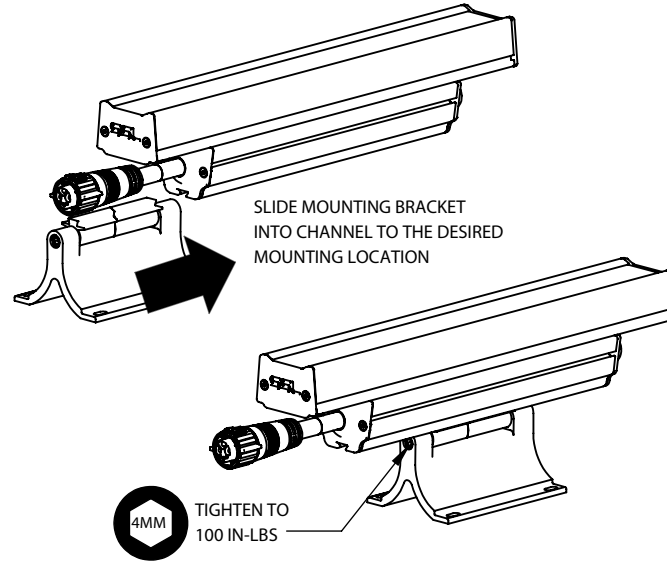
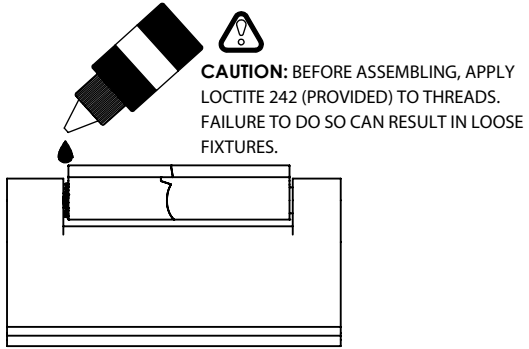
COLOURLINE™ LAZER WET — INSTALLATION INSTRUCTIONS

CAUTION: BEFORE CONNECTING THE LUMINAIRE TO A POWER SUPPLY, MAKE SURE THE POWER IS SWITCHED OFF.

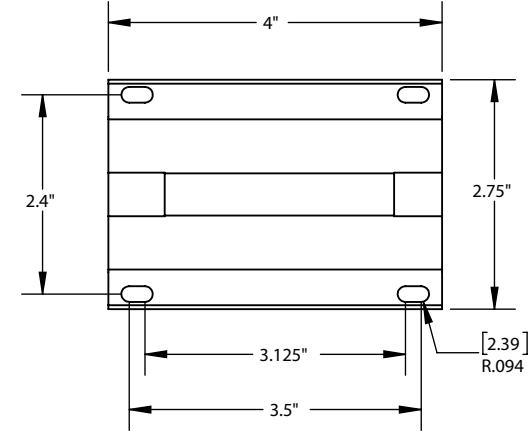


DETAILED ILLUSTRATION

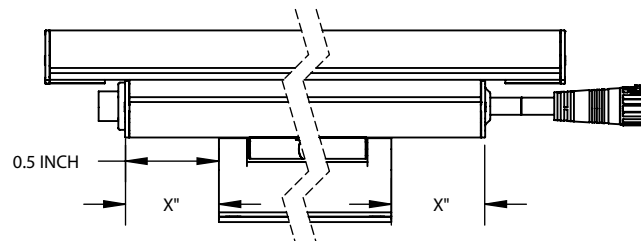
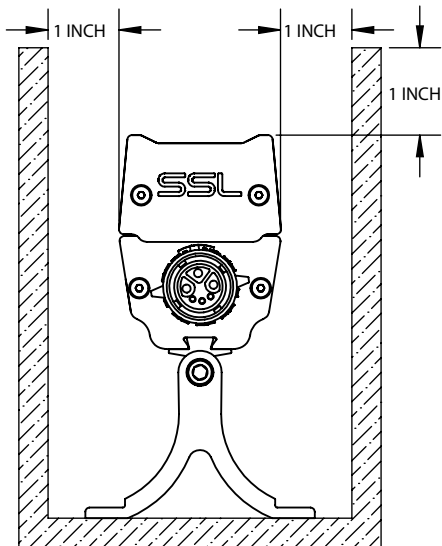
CLWFA Bracket Mounting



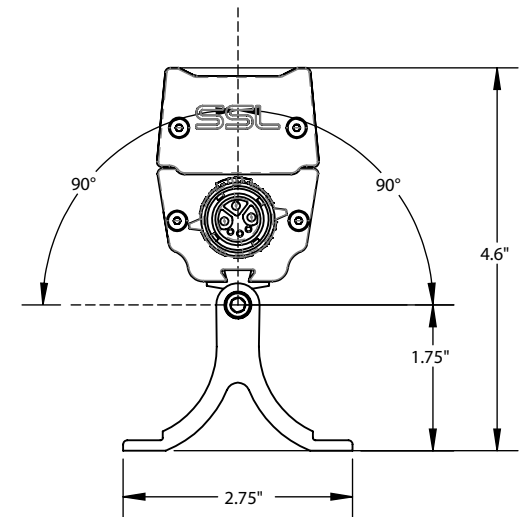
CLWFA Bracket Footprint



Cove Spacing



NOTE: MOUNTING BRACKET MUST BE AT LEAST 0.5" FROM EDGE FOR 4" FIXTURES, BOTH BRACKETS MUST BE EQUIDISTANT FROM THEIR RESPECTIVE EDGE.



COLOURLINE™ LAZER WET — INSTALLATION INSTRUCTIONS

CAUTION: BEFORE CONNECTING THE LUMINAIRE TO A POWER SUPPLY, MAKE SURE THE POWER IS SWITCHED OFF.



DETAILED ILLUSTRATION

LOUVER INSTALLATION — LCLZWL-1:

1. To field-install the louver, place the louver upon the top of the luminaire and firmly press down until it snaps in place.
2. Adjust the louver left-to-right so that each of the louver fins sits between two optical lenses.
3. When the desired position is obtained, use a 2 mm Hex Driver to tighten the screws located on both sides of the louver to lock it in place.

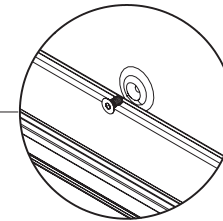
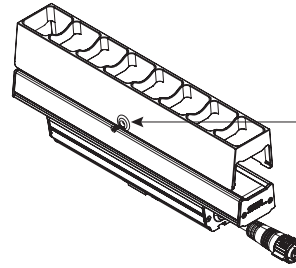
NOTE: Multiple segments must be used to louver a four foot long luminaire.

LOUVER INSTALLATION — LCLZWHS-1:

1. Remove the screw located on the side of the louver you wish to add a House-Shield upon.
2. Locate the lip on the underside of the louver's edge. This is most easily done pre-install.
3. Hook the underside of the House-Shield onto the lip.
4. Rotate the House-Shield upward so that it clips onto the top of the louver.
5. To field-install the louver, place the louver upon the top of the luminaire and firmly press down until it snaps in place.
6. Adjust the louver left-to-right so that each of the louver fins sits between two optical lenses.
7. Obtain the longer 8 mm Screw that was included with the House-Shield. Using a 2 mm Hex Driver, install the longer screw on the House-Shield side of the louver.
8. Using the same 2 mm Hex Driver, install the 6 mm Screw upon the opposite side to secure the louver in place.

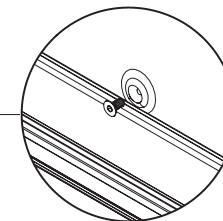
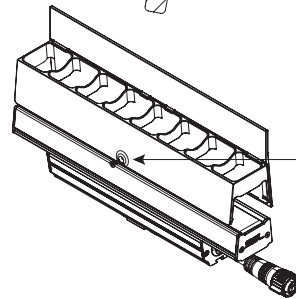
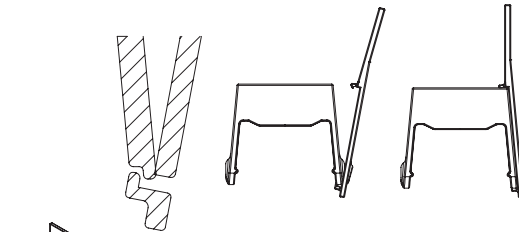
NOTE: Multiple segments must be used to louver a four foot long luminaire.

LCLZWL-1



M3x6 mm Screw
2 mm Hex Driver
(Torque: 1.5 IN/LBS)

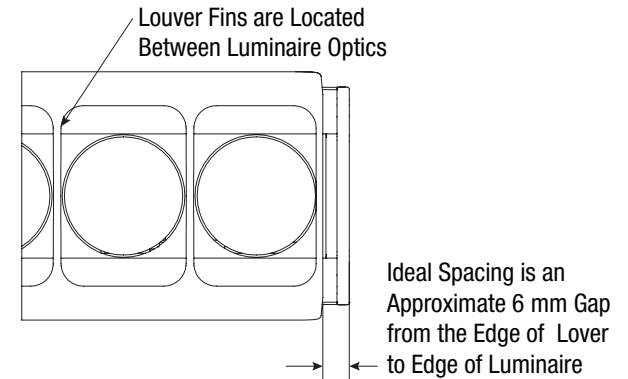
LCLZWHS-1



M3x6 mm Screw
2 mm Hex Driver
(Torque: 1.5 IN/LBS)

Louver Placement

CORRECT PLACEMENT



INCORRECT PLACEMENT

