

WET COVE 1.5 SERIES - INSTALLATION and OPERATION INSTRUCTIONS

CAUTION: BEFORE CONNECTING THE FIXTURE TO A POWER SUPPLY, MAKE SURE THE POWER IS SWITCHED OFF.



corporate
t (877) SSL-GREEN
f (630) 889-8106
3609 Swenson Ave.
St. Charles, IL 60174

DETAILED ILLUSTRATION

GENERAL:

1. Before starting the installation, make sure all electricity has been turned off and electrical breaker has been locked out and tagged out.
2. To ensure the success of the installation, be sure to read these instructions and review the diagrams thoroughly before beginning.
3. All electrical connections must be in accordance with local codes, ordinances, or the National Electrical Code.

NOTE: The important safeguards and instructions appearing in this manual are not meant to cover all possible conditions and situations that may occur.

INSTALLATION:

- 1) Determine where your first linear run fixture will start and prepare your Starter Cable (Fig-3).

NOTE: Starter Cable (SC10W) (Fig-3) and Terminator Cap (TCAPW) (Fig-4) are required for every run.

- 2) Secure the Adjustable Mounting Bracket to intended surface using appropriate fasteners. (FIG-1)
NOTE: The Adjustable Mounting Brackets come attached to the Wet Cove fixture (FIG-1) and can easily be fastened to a surface while still attached to the fixture. Loosen end hex screw to adjust light angle and then retighten.

- 3) Wet Cove can be slid back and forth in the mounting bracket to adjust its linear position. Repeat steps 1-3 for mounting multiple fixtures. Fixtures connect end-to-end. (FIG-2)

NOTE: 1 foot fixture has (1) Mounting Bracket and the 2-6 foot fixtures have (2) brackets. (FIG-1)

- 4) Use Extension Cables (12", 24" or 60") when necessary, for corners and extending fixture runs.

IMPORTANT: DO NOT exceed product's **Maximum Run Length**. (See below 120V & 277V)

CAUTION: Before connecting the fixture(s) to power, make sure power is off.

NOTE: DO NOT connect power until fixtures are properly mounted, connected and wired.

- 5) **FOR DIMMING:** Use standard electronic low-voltage ELV (reverse phase/trailing edge) $\leq 5\%$. Refer to specific manufacturer for wiring and operation information.

NOTE: Check Dimmer for Watt limitation and current leakage restriction.

- 6) Once all fixtures are mounted, connected and wired correctly turn power on at the breaker box.

- 7) Then turn the fixtures on.

- 8) If troubleshooting is necessary, turn power off again at breaker box, then lock out and tag out.

- 9) See next page for Mounting Bracket information.



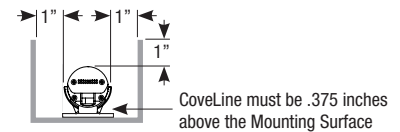
FIG-1 Number of Standard Mounting Brackets per fixture:

- 1 foot/1,
- 4 foot/2,
- 6 foot/3

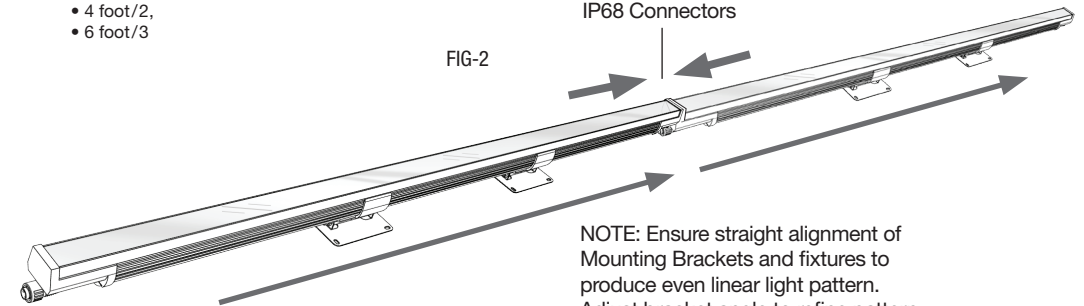
IMPORTANT

Allow proper spacing around luminaire to reduce heat and prolong LED life. Avoid total enclosure of CoveLine fixture. Allow air circulation around fixture during operation.

FIG-A CoveLine must have at least 1 inch spacing on both sides and above



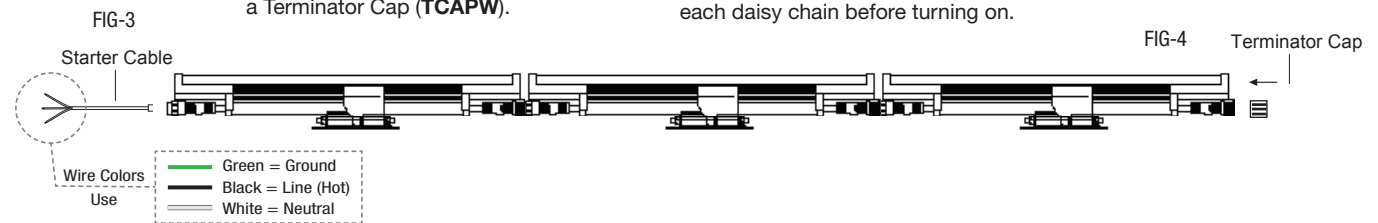
Push & Turn IP68 Connectors



NOTE: Ensure straight alignment of Mounting Brackets and fixtures to produce even linear light pattern. Adjust bracket angle to refine pattern.

IMPORTANT:

Every fixture run **MUST** begin with a Starter Cable (**SC10W**) and end with a Terminator Cap (**TCAPW**).



120-277V Universal Voltage

Maximum nn @ 120V fixtures per daisy chain run. (277V = nn x 1.5)

nn = eCVL15WET - (1foot/100, 4foot/25, 6foot/16)

nn = eCVLX15WET - (1foot/100, 4foot/25, 6foot/16)

nn = CVL15WET - (1foot/60, 4foot/15, 6foot/10)

nn = CVLX15WET - (1foot/60, 4foot/15, 6foot/10)

- Connect the line input voltage from one end only.
- Use the end cap provided to cap off the run.
- See illustration. Connect all fixtures in each daisy chain before turning on.