

Date:	Approved:
Type:	
Luminaire:	
Project:	

COVELINE WET 1.5



COVELINE WET 1.5 is a powerful and versatile interior / exterior cove luminaire. The **COVELINE WET 1.5** comes in a 1 ft, 4 ft or 6 ft nominal lengths and 27K, 3K, 35K, 4K or 5K color temperatures, as well as static color choices. The housing is constructed of extruded aluminum with tooled end caps and is IP66 rated for interior & exterior use. Features IP68 line voltage Plug N' Play connectors for easy installation. Power supply is integral, no remote driver required. Universal orientation luminaire; up, down, horizontal or vertical positioning and 9 optical solutions. Flicker free dimmable to 5% full brightness ELV trailing edge dimming.



SPECIFICATIONS

PHYSICAL

beam spread	10°, 10° x 40°, 120°, 25°, 30° x 60°, 40°, 80°, 67° x 140°, 21° x 56° asymmetric
LEDs per foot	14
mounting	Standard: surface mount bracket with (+/- 45° from center), optional: ADBW2-90 full 180° rotation (+/- 90° from center)
housing	eExtruded aluminum housing with moulded end caps
lens	Clear, tempered glass with a frosted edge
ingress protection	IP66 rated for wet, exterior location (Connectors IP68)
luminaire connections	Twist-lock IP68 rated, CCC
vibration resistance	Compliant with 3G ANSI C136.31
dimensions	12.25" x 1.77" x 1.9", 47" x 1.77" x 1.9", 70.25" x 1.77" x 1.9"
weight	1.3 lbs

PERFORMANCE

color temperature	2700K, 3000K, 3500K, 4000K, 5000K
lumen output	865 lm/ft, 893 lm/ft, 925 lm/ft, 950 lm/ft, 1000 lm/ft
lumen maintenance	L70 > 70,000 hours
color consistency	3 SDCM, standard: 80 CRI, optional: 90 CRI
operating temperature	-40°F to 104°F (-40°C to 40°C)
warranty	5-Year limited warranty

ELECTRICAL

input voltage	Universal 120 - 277 VAC
power supply	integral Class II, electronic high-power factor > 94% @120V
dimming	ELV (reverse phase/trailing edge) ≤ 5%
certification	ETL / cETL listed
standards	UL1598/CSA C22.2 No. 250.0, IESLM-79/LM-80, FCC Part 15
power consumption	9W/ft @ 120V



Ordering Information

PART NUMBER							
CWLWET1.5							
MODEL	LENGTH	CCT		CRI	OPTICS	OPTIONS	
CVLWET1.5 COVELINE WET 1.5	1 12 in. (305 mm)	WHITE LIGHT	MONO COLOR	CRI80 80 CRI	10 10° beam	WCL-1	Louvre (Black) - 1 ft.
	4 46.8 in. (1189 mm)	27K 2700K	AMB Amber	CRI90 90 CRI	1040 10° x 40° beam	WCL-4	Louvre (Black) - 4 ft.
	6 70 in. (1778 mm)	3K 3000K	BLU Blue		120 120° beam	WCL-6	Louvre (Black) - 6 ft.
		35K 3500K	LTBLU Light Blue		25 25° beam	WCHS-1	Louvre w/House Shield (Black) - 1 ft.
		4K 4000K	RED Red		3060 30°x60° beam	WCHS-4	Louvre w/House Shield (Black) - 4 ft.
		5K 5000K			40 40° beam	WCHS-6	Louvre w/House Shield (Black) - 6 ft.
					80 80° beam		
					67140 67°x140°		
					ASY 21°x56° asymmetric		

Accessories (Indicate the quantity needed for each item.) **REQUIRED:** Starter Cable (SC10W) and Terminator Cap (TCAPW) for every run. **Maximum Run Length** = 60 feet (120V)

- _____ **SC10W** 10 ft. Starter Connection Cord
- _____ **TCAPW** Terminator Cap
- _____ **EC12W** 12 in. Extension Cord
- _____ **EC24W** 24 in. Extension Cord
- _____ **EC60W** 60 in. Extension Cord

Mounting Options (ADBW2 Included With Luminaire) (requirements vary for each luminaire ordered - see mounting pages for details)

- _____ **ADBW2-90** 90° Adjustable Bracket (Bi-directional)
- _____ **CA2-6** Cantilever Arm - 6"
- _____ **CA2-12** Cantilever Arm - 12"
- _____ **CA2-18** Cantilever Arm - 18"
- _____ **LS-6** Landscape Spike - 6"
- _____ **HLS** Heavy Duty Landscape Spike

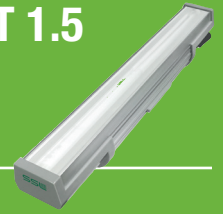
Use Module Only to Convert 0-10V Signal to ELV Dimming

DIMO-10VELV is a dimming module that converts a 0-10V dimming signal to an ELV (electronic low-voltage) reverse phase dimming signal for ELV dimmable lighting products.

Control Components (Indicate the quantity needed for each item.) (1 module per run) (Indoor rated)

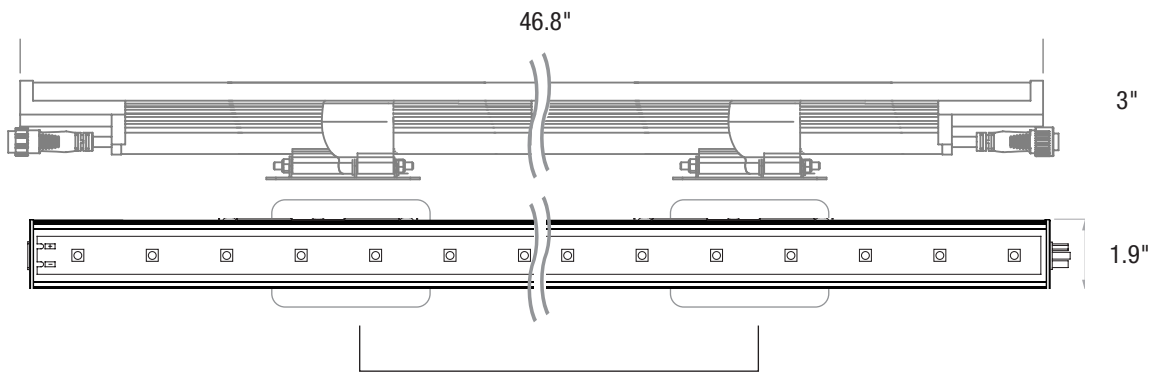
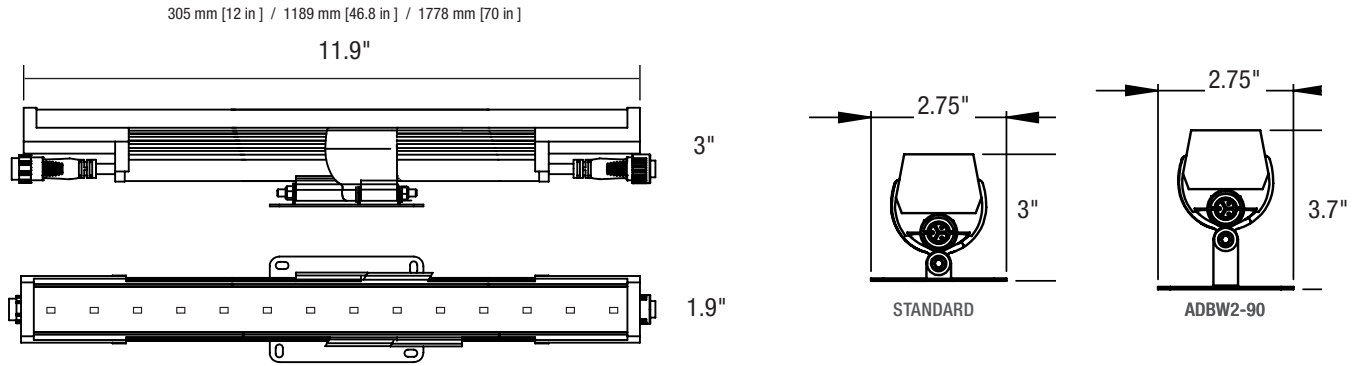
REQUIRED: Starter Cable (SC6) and Terminator Cap (TCAP) for every run.

- _____ **DIMO-10VELV-UNV-OJBM-IJBM-BLA** 0-10V ELV Dim Module, Output Junction Box Mount (12" lead wire), Input Junction Box Mount (12" lead wire), Interior Rated Enclosure, Black Anodized Alum.
- _____ **DIMO-10VELV-UNV-OCPPM-ICPPM-BLA** 0-10V ELV Dim Module, Output Conduit Pipe Mount (96" lead wire), Input Conduit Pipe Mount (96" lead wire), Interior Rated Enclosure, Black Anodized Alum.

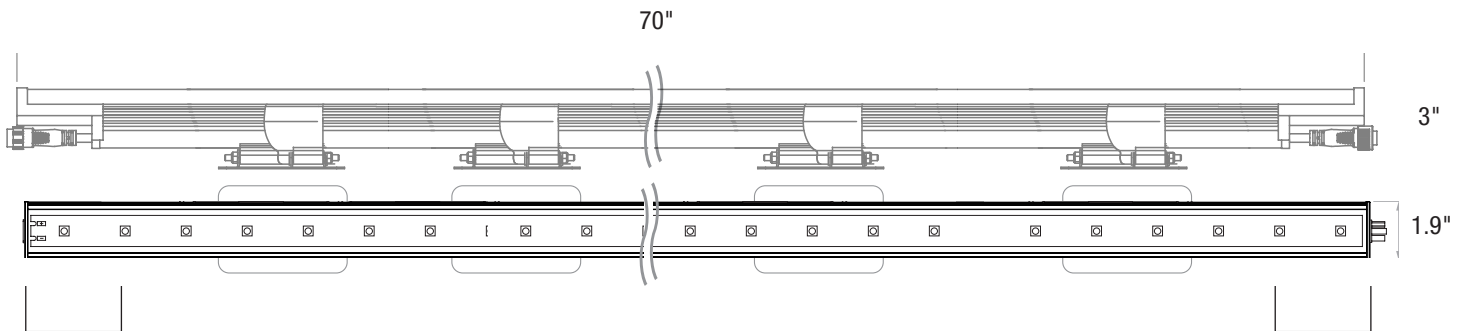


Standard Dimensions

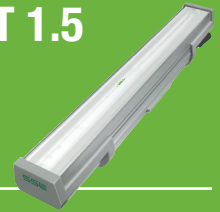
DIMENSIONS WITH STANDARD BRACKET



Optimal spacing for bracket installation is 16" apart.



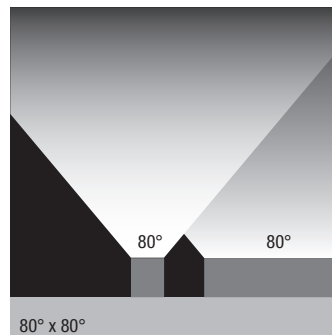
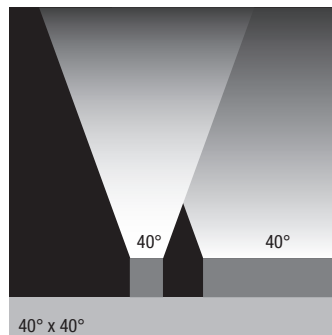
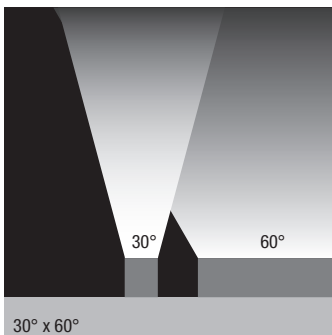
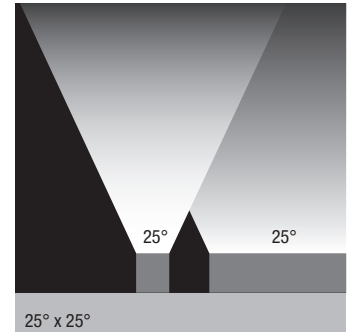
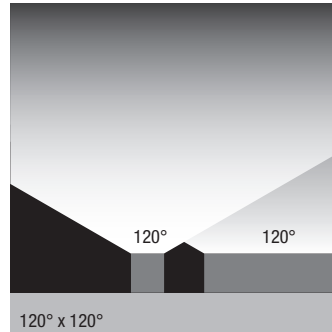
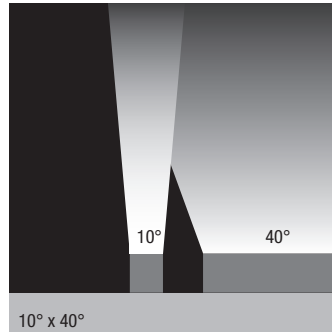
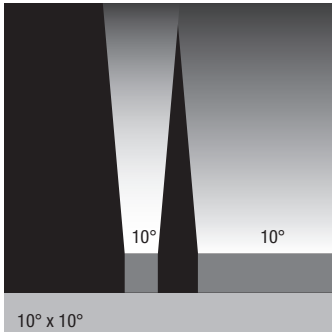
TO PREVENT VOIDING THE WARRANTY, DO NOT INSTALL BRACKETS WITHIN 2" OF THE ENDS OF LUMINAIRE.



Photometry

CVLWET AVAILABLE OPTICS

FIND IES FILES ON SOLIDSTATELUMINAIRES.COM



PERFORMANCE

DIMMING

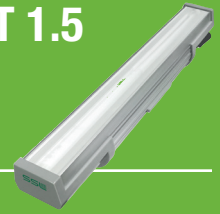
Model	Connected Wattage	Delivered Lumens				
		2700K	3000K	3500K	4000K	5000K
CVLWET1.5-1	9	865	893	925	950	1000
CVLWET1.5-4	36	3460	3572	3700	3800	4000
CVLWET1.5-6	54	5190	5358	5550	5700	6000

TRIAC, REVERSE PHASE DIMMING

Model	Description
DELV	Lutron Diva Dimmer 300P
SELV	Lutron Skylark Dimmer 153P
SCL	Lutron Skylark Dimmer 300P



Dimmers sold by others.



Mounting Options

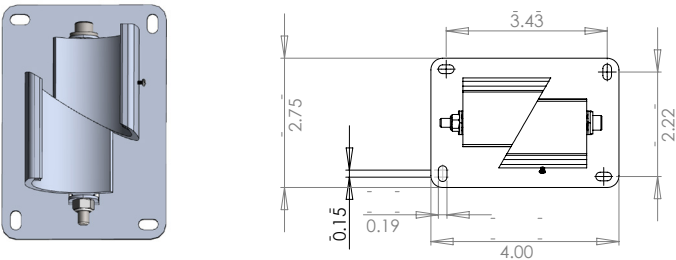
STANDARD ADJUSTABLE BRACKET REQUIREMENTS

Minimum Bracket Requirement					
CVLWet-1	1	CVLWet-4	2	CVLWet-6	3

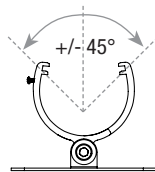
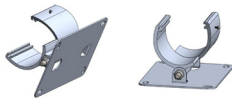
90° ADJUSTABLE BRACKET REQUIREMENTS

Minimum Bracket Requirement					
CVLWet-1	1	CVLWet-4	2	CVLWet-6	3

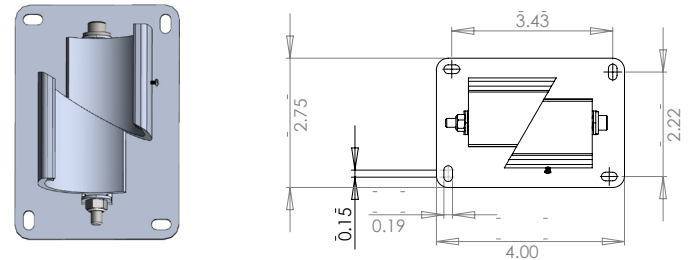
STANDARD ADJUSTABLE BRACKET (ADBW2)



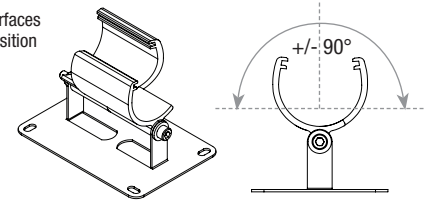
Universal Orientation
 - Mounts to horizontal or vertical surfaces
 - Easy installation w/luminaire in position
 - +/- 45° to surface



90° ADJUSTABLE BRACKET (ADBW2-90)

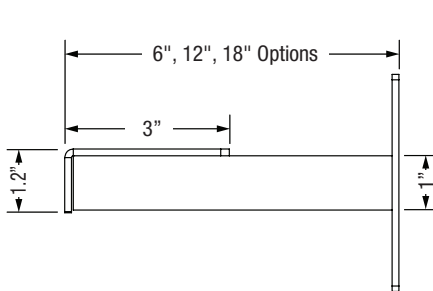


Universal Orientation
 - Mounts to horizontal or vertical surfaces
 - Easy installation w/luminaire in position
 - +/- 90° to surface

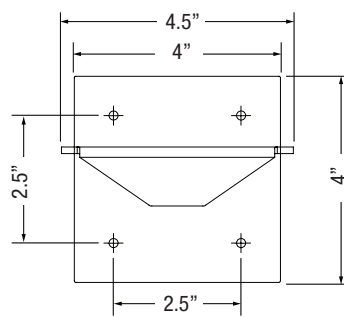


CANTILEVER ARM (CA2)

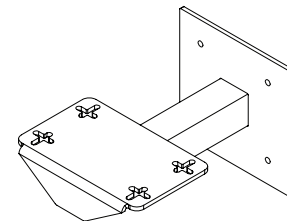
CA2	arm length	Luminaire	CA2 Requirement
CA2-6	6"	1-foot	1
CA2-12	12"	4-foot	2
CA2-18	18"		



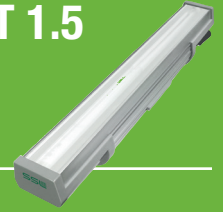
SIDE VIEW



FRONT VIEW

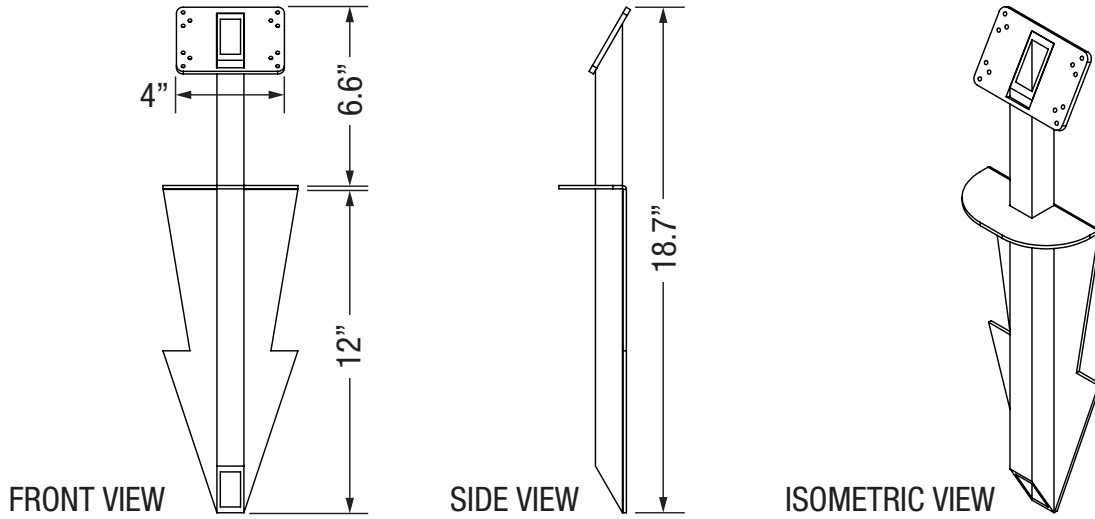


ISOMETRIC VIEW

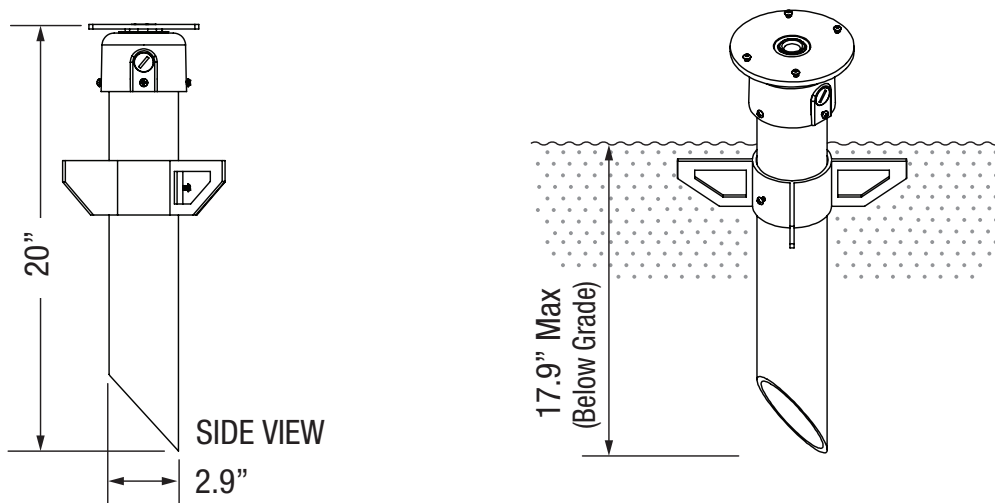


Mounting Option Accessories

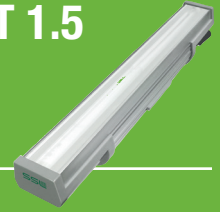
LANDSCAPE SPIKE - LS-6



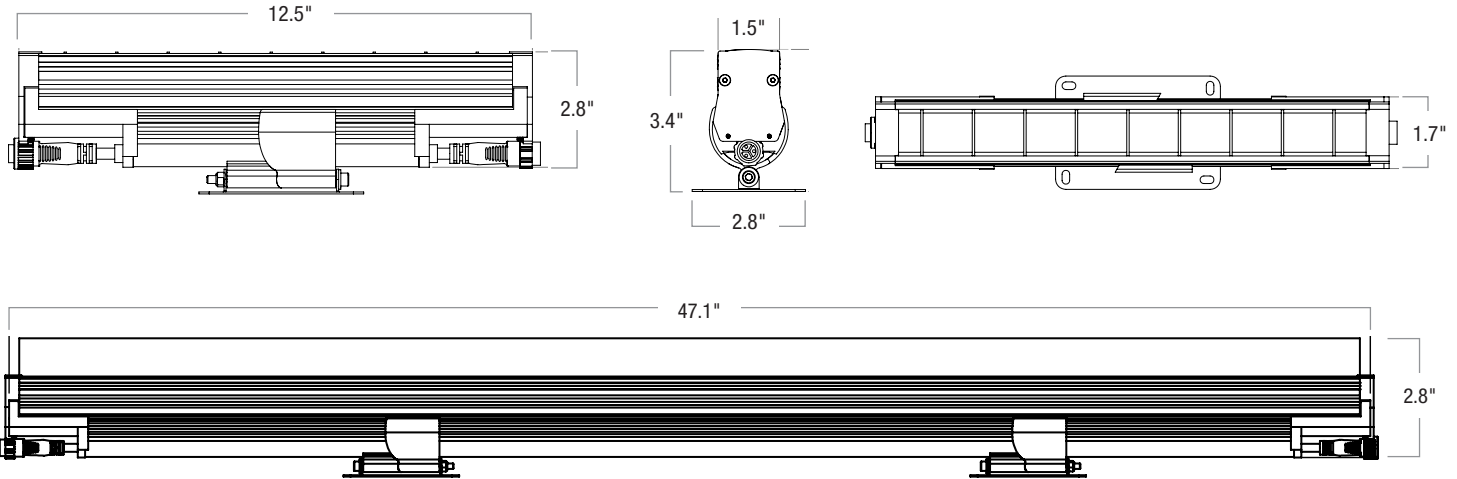
HEAVE DUTY LANDSCAPE SPIKE - HLS



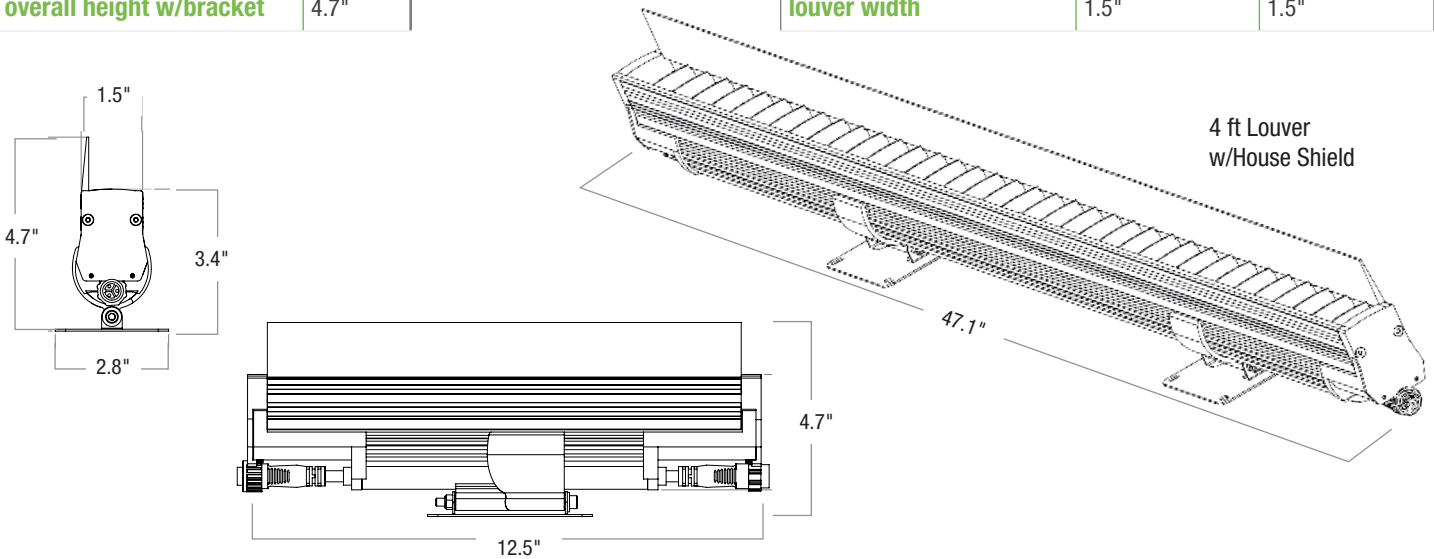
Accessories



LOUVER - WCL		1FT	4FT
louver height	.25"	12.5"	47.1"
overall height w/bracket	3.4"	1.5"	1.5"



HOUSE SHIELD - WCHS		1FT	4FT
shield height	1.3"	12.5"	47.1"
overall height w/bracket	4.7"	1.5"	1.5"

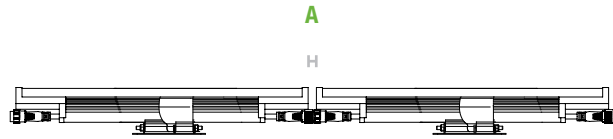


Due to continuous development and improvements, specifications are subject to change without notice. Product use certifies agreement to Solid State Luminaires terms and conditions.



Connectivity Options

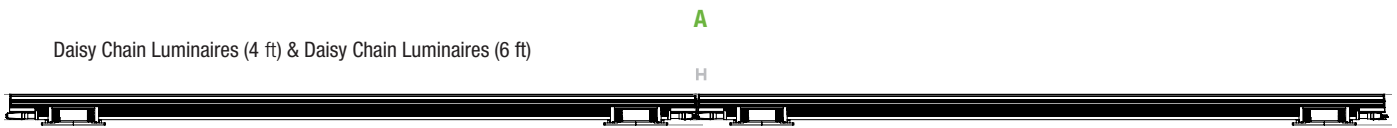
CONNECTIONS & CABLES



Daisy Chain Luminaires (1 ft)

- A:** MIN/0" - MAX/.38 in between luminaires
- B:** SC10W - 10 ft Starter Cord
- C:** EC12W 12 in Extension Cord
- C:** EC24W 24 in Extension Cord
- C:** EC60W 60 in Extension Cord
- D:** TCAPW 1.13 in Terminator Cap

Daisy Chain Luminaires (4 ft) & Daisy Chain Luminaires (6 ft)



B: STARTER CABLES

INSURE FIRST LUMINAIRE IS ORIENTED TO ACCEPT MALE CONNECTOR STARTER CABLE



C: EXTENSION CABLES



D: TERMINATOR CAP TCAP



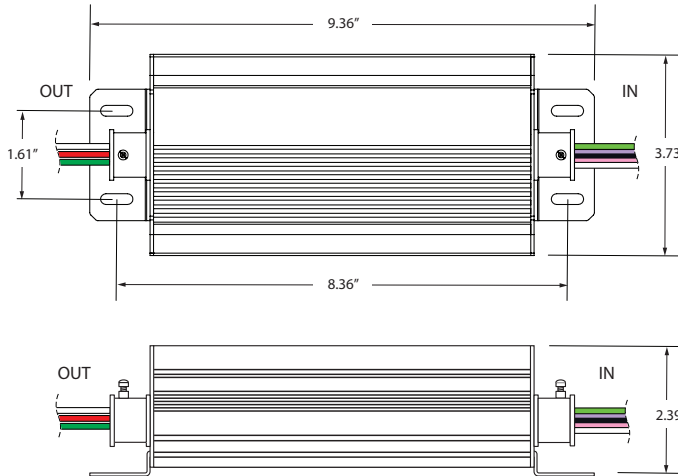


Control Components

CONTROL OVERALL DIMENSIONS (DIMO-10VELV) ALL VERSIONS

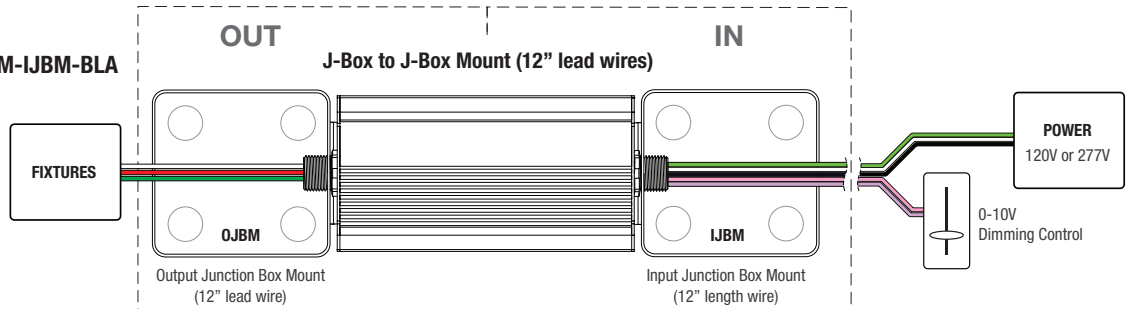
Use Module Only to Convert 0-10V Signal to ELV Dimming

Converts 0-10V signal for ELV Dimming protocol.



CONTROL CONNECTIVITY (DIMO-10VELV) EACH VERSION

DIMO-10VELV-UNV-OJBM-IJBM-BLA



DIMO-10VELV-UNV-OCPM-ICPM-BLA

