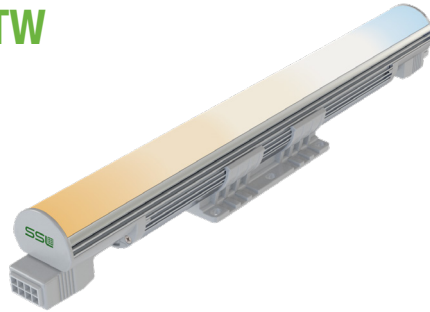


Date:	Approved:
Type:	
Fixture:	
Project:	

COVELINE XL TW



COVELINE XL TW provides a smooth Tunable White CCT effect with fixed lumen output. Choose from 700 lm/ft or 1000 lm/ft delivered lumens with a CCT range of 2700K-5700K. **COVELINE XL TW** comes in 1 ft or 4 ft nominal lengths. It features a 2-channel, 0-10V signal data connection allowing for separate control of both Tunable White CCT and Dimming (power), using 8-pin connectors for easy Plug N' Play connection and installation.

Constant Delivered Lumens

The delivered lumens, 700 lm/ft or 1000 lm/ft, remain constant while changing color temperatures. Unique programming provides that you will maintain the same controlled lumen values while transitioning between controlled color temperatures that range from 2700K to 5700K. Programmed Drivers are integral.

SPECIFICATIONS

PHYSICAL

beam spread	120°
weight	1 foot (1 lbs) / 4 foot (4 lbs)
housing	extruded aluminum housing with tooled end caps
lens	etched polycarbonate
mounting	standard: surface mount bracket with (+/- 15° from center) optional: ADB2 full 180° rotation (+/- 90° from center)
ingress protection	damp and dry interior locations IP44 rated
fixture connections	daisy chain with male and female, 8-PIN, plug-n-play connectors

PERFORMANCE

color temperature	2700K - 5700K
lumen output	700 lm/ ft 1000 lm/ ft, constant delivered lumen values <i>(Note: lumen output Models are not cross compatible)</i>
lumen maintenance	≥ 70,000 hours / L70
operating temperature	-4°F to 104°F (-20°C to 40°C)
color consistency	+90CRI
junction temperature	60°C @ T ^a 25°C
warranty	5 year limited warranty (refer to website for details)

ELECTRICAL

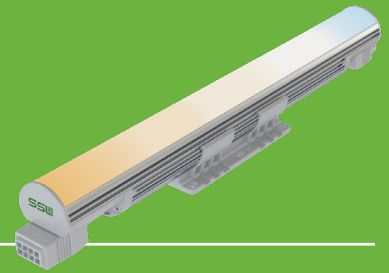
input voltage	Universal 120–277V AC
power supply	integral Class II, electronic high-power factor 94% @ 120V
interface	2-Channel 0-10V signal (for CCT 2700K–5700K & Dimming, 1%) Power signal requires > 1 second soft start buffer
certification	ETL / cETL Listed, CEC Title 24 JA8 compliant
standards	UL 1598 / CSA C22.2 No. 250.0 - Class I / IES LM-79 / LM-80
power consumption	700 lm: 1 ft @ full power (9W), 4 ft @ full power (35W) 1000 lm: 1 ft @ full power (11.5W), 4 ft @ full power (45W)



Due to continuous development and improvements, specifications are subject to change without notice. Solid State Luminaires reserves the right to change lab test details or specifications without notice. Product use certifies agreement to Solid State Luminaires terms and conditions.

Ordering Information

COVELINE XL TW



PART NUMBERS

700 lm/ ft (27K–57K) (Cannot be combined with 1000 lm/ft Models)

CVLXTW							
MODEL	LENGTH	CCT	LUMENS	OPTICS	OPTIONS		
CVLXTW COVELINE XL TW (Tunable White)	1 12 in. [305 mm]	27K-57K 2700K - 5700K	07L 700 lm (9W) (1FT)	120 120° beam	DVL-1 direct view lens (1ft) †		
	4 46.7 in. [1186 mm]		28L 2800 lm (35W) (4FT)		DVL-4 direct view lens (4ft) †		
† DVL option includes 1 pair of End Caps for each lens.							

1000 lm/ ft (27K–57K) (Cannot be combined with 700 lm/ft Models)

CVLXTW							
MODEL	LENGTH	CCT	LUMENS	OPTICS	OPTIONS		
CVLXTW COVELINE XL TW (Tunable White)	1 12 in. [305 mm]	27K-57K 2700K - 5700K	10L 1000 lm (11.5W) (1FT)	120 120° beam	DVL-1 direct view lens (1ft) †		
	4 46.7 in. [1186 mm]		40L 4000 lm (45W) (4FT)		DVL-4 direct view lens (4ft) †		
† DVL option includes 1 pair of End Caps for each lens.							

Accessories (Indicate the quantity needed for each item.)

REQUIRED: Starter Cable (**SC6TW**) and Terminator Cap (**TCAPTW**) for every run. **Maximum Run Length** = 60 feet @ 120VAC, 80 feet @ 277VAC

_____ **SC6TW** 6 ft. Starter Connection Cord, Tuneable White

_____ **TCAPTW** Terminator Cap, Tuneable White

_____ **EC06TW** 6 in. Extension Cord, Tuneable White

_____ **EC12TW** 12 in. Extension Cord, Tuneable White

_____ **EC24TW** 24 in. Extension Cord, Tuneable White

_____ **EC60TW** 60 in. Extension Cord, Tuneable White

Mounting Options (Indicate the quantity needed for each item.)

_____ **ADB2** 180° Adjustable Bracket

_____ **CA2-6** Cantilever Arm - 6"

_____ **CA2-12** Cantilever Arm - 12"

_____ **CA2-18** Cantilever Arm - 18"

Due to continuous development and improvements, specifications are subject to change without notice. Solid State Luminaires reserves the right to change lab test details or specifications without notice. Product use certifies agreement to Solid State Luminaires terms and conditions.

 US Commercial Lighting Manufacturer Since 1982

Specification Sheet

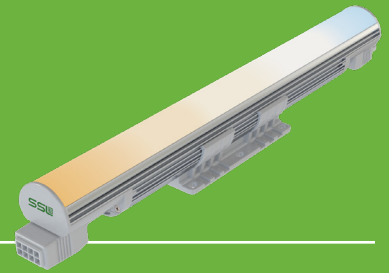
© Solid State Luminaires

3609 swenson ave • st. charles il • 60174 | fclighting.com | 800.900.1730

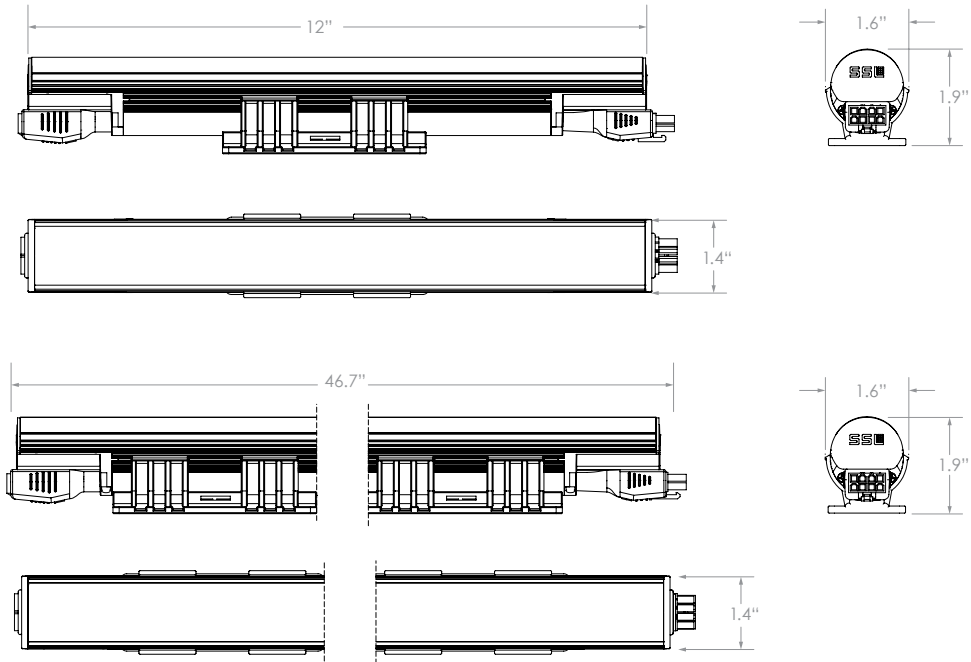
AG-JF-101122

Dimensions

COVELINE XL TW



DIMENSIONS WITH STANDARD BRACKET

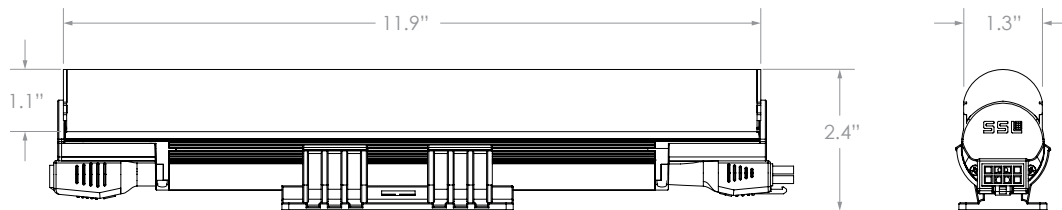


Option

DIRECT VIEW LENS - DVL

Direct View Lens (DVL) diffuses LEDs to reduce glare and comes assembled from the factory.

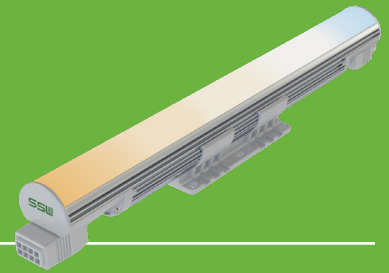
	1FT	4FT
total height	2.4"	2.4"
diffuser height	1.1"	1.1"
length	11.9"	46.7"
width	1.3"	1.3"



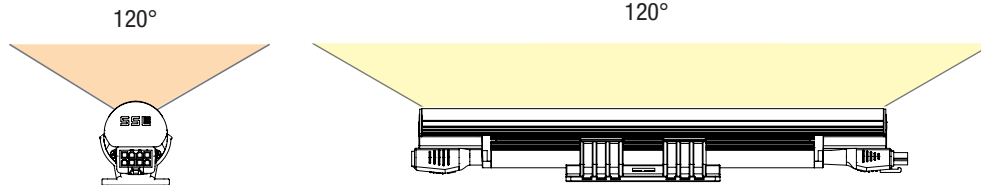
Due to continuous development and improvements, specifications are subject to change without notice. Solid State Luminaires reserves the right to change lab test details or specifications without notice. Product use certifies agreement to Solid State Luminaires terms and conditions.

Photometry

COVELINE XL TW



CVLXTW 1FT 120°



PERFORMANCE

700 lm/ft (27K–57K) *(Cannot be combined with 1000 lm/ft Models)*

Model	Connected Wattage	Delivered Lumens 2700K–5700K
CVLXTW-1	9	700
CVLXTW-4	35	2800

1000 lm/ft (27K–57K) *(Cannot be combined with 700 lm/ft Models)*

Model	Connected Wattage	Delivered Lumens 2700K–5700K
CVLXTW-1	11.5	1000
CVLXTW-4	45	4000

Due to continuous development and improvements, specifications are subject to change without notice. Solid State Luminaires reserves the right to change lab test details or specifications without notice. Product use certifies agreement to Solid State Luminaires terms and conditions.

 US Commercial Lighting Manufacturer Since 1982

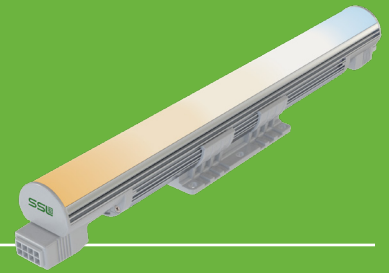
Specification Sheet

© Solid State Luminaires 3609 swenson ave • st. charles il • 60174 | fclighting.com | 800.900.1730

AG-JF-101122

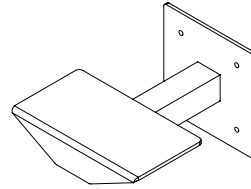
Mounting Options

COVELINE XL TW

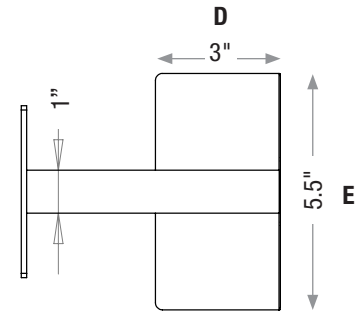
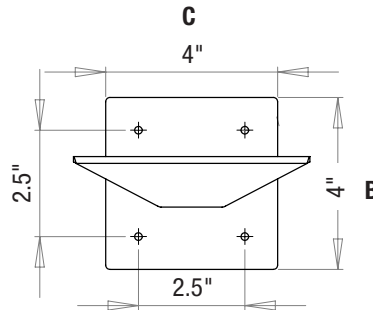
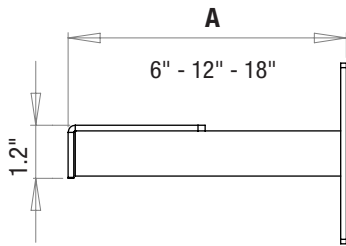


CANTILEVER ARM - Available in 3 Lengths

CA2	(A) arm length	mounting height (B)	mounting width (C)	bracket plate length (D)	bracket plate width (E)
CA2-6	6"	4"	4"	3"	5.5"
CA2-12	12"				
CA2-18	18"				



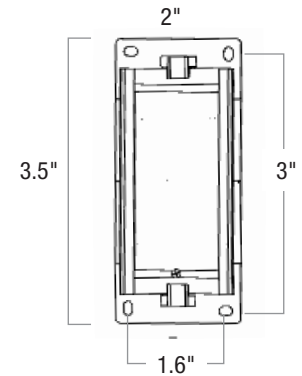
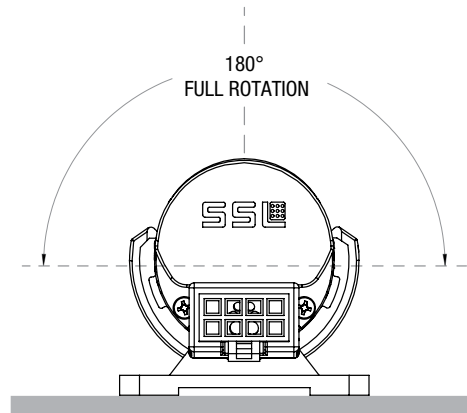
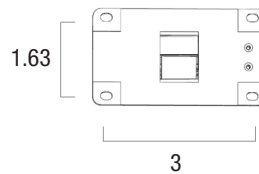
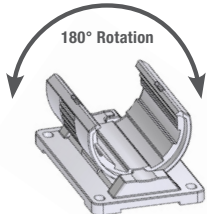
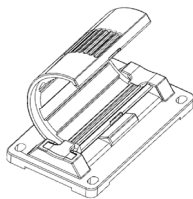
CVLXTW	CA2 Requirement
1'	1
4'	2



OPTIONAL ADJUSTABLE BRACKET (ADB2)

Universal Orientation

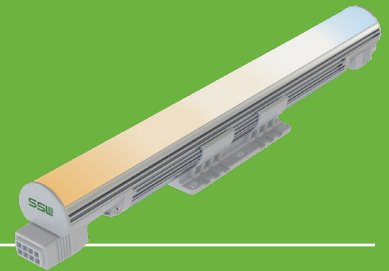
- Adjusts +/-90°
- Mounts to horizontal or vertical surfaces
- Easy installation w/fixture in position



Due to continuous development and improvements, specifications are subject to change without notice. Solid State Luminaires reserves the right to change lab test details or specifications without notice. Product use certifies agreement to Solid State Luminaires terms and conditions.

Connectivity Options

COVELINE XL TW



CONNECTIONS & CABLES

Daisy Chain Fixtures (1')

A:1



Daisy Chain Fixtures (4')

A:4



Optimal spacing for 4-foot fixture bracket installation is 16" apart.

TO PREVENT VOIDING THE WARRANTY, DO NOT INSTALL BRACKETS WITHIN 2" OF THE ENDS OF FIXTURE.

A1: MIN/.2" - MAX/.3" between fixtures

A4: MIN/.2" - MAX/.3" between fixtures

B: SC6TW - 6ft Starter Cord

C: EC06TW 6 in. Extension Cord

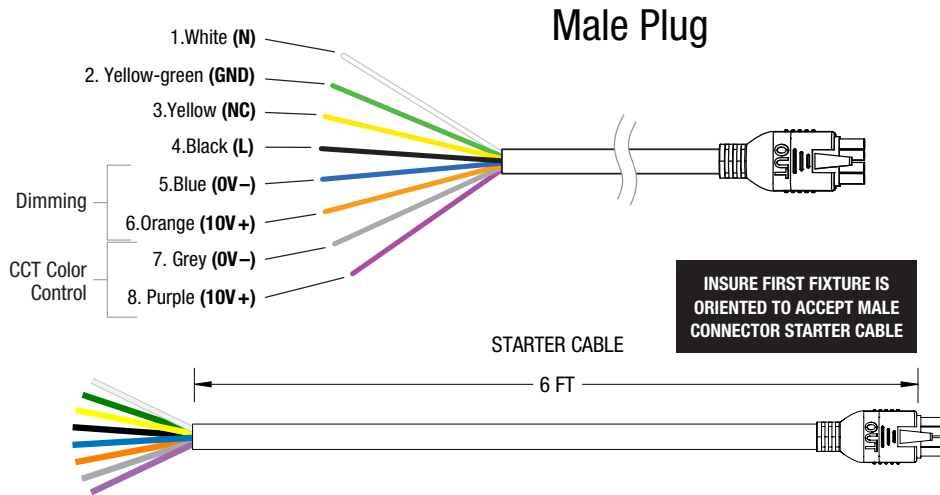
C: EC12TW 12 in. Extension Cord

C: EC24TW 24 in. Extension Cord

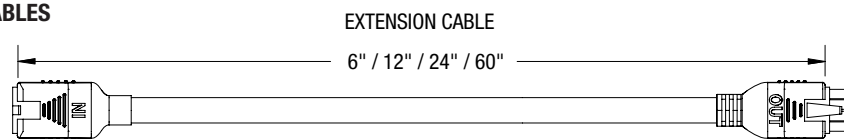
C: EC60TW 60 in. Extension Cord

D: TCAPTW .25 in. Terminator Cap

B: STARTER CABLE



C: EXTENSION CABLES



D: TERMINATOR CAP (TCAP)



Due to continuous development and improvements, specifications are subject to change without notice. Solid State Luminaires reserves the right to change lab test details or specifications without notice. Product use certifies agreement to Solid State Luminaires terms and conditions.