

## COVELINE XL WET 1.5



**COVELINE XL WET 1.5** is an IP66 rated, powerful and versatile interior / exterior cove luminaire. **COVELINE XL WET 1.5** comes in a 1 ft, 4 ft or 6 ft nominal lengths and 27K, 3K, 35K, 4K or 5K color temperatures. The housing is constructed of extruded aluminum with tooled end caps and is rated for interior & exterior use. Features IP68 line voltage Plug N' Play connectors for easy installation. Power supply is integral, no remote driver required. Universal orientation fixture; up, down, horizontal or vertical positioning and 3 optical options. Flicker free dimmable to 5% full brightness with ELV trailing edge dimming.

### SPECIFICATIONS

#### PHYSICAL

<b>beam spread</b>	30° x 80°   120°		
<b>LEDs per foot</b>	24		
<b>lengths/dimensions [ LxWxH ]</b>	12.25" x 1.77" x 1.9"	47" x 1.77" x 1.9"	70.25" x 1.77" x 1.9"
<b>weight</b>	1.3 lbs		
<b>housing</b>	extruded aluminum housing with moulded end caps		
<b>lens</b>	clear, tempered glass with a frosted edge		
<b>mounting</b>	standard: surface mount bracket with (+/- 45° from center)   optional: ADBW2-90 full 180° rotation (+/- 90° from center)		
<b>ingress protection</b>	IP66 rated for wet, exterior location (Connectors IP68)		
<b>vibration resistance</b>	compliant with 3G ANSI C136.31		
<b>fixture connections</b>	Twist-lock IP68 rated, CCC		

#### PERFORMANCE

<b>color temperature</b>	2700K	3000K	3500K	4000K	5000K
<b>lumen output (per foot)</b>	1061 lm	1105 lm	1152 lm	1200 lm	1248 lm
<b>lifetime</b>	> 70,000 hours / L70 or better				
<b>color consistency</b>	3 SDCM / standard: 87 CRI   optional: 90 CRI				
<b>operating temperature</b>	-40°F to 104°F (-40°C to 40°C)				
<b>junction temperature</b>	69°C @ T <sup>a</sup> 25°C				
<b>warranty</b>	5-Year limited warranty (refer to website for details)				

#### ELECTRICAL

<b>input voltage</b>	Universal 120–277V AC
<b>power supply</b>	integral Class II, electronic high-power factor > 94% @120V
<b>certification</b>	ETL / cETL listed, CEC Title 24 - JA8 Compliant
<b>standards</b>	UL1598/CSA C22.2 No. 250.0; IESLM-79/LM-80; FCC Part 15
<b>power consumption</b>	11W/ft @ 120V
<b>dimming</b>	ELV (reverse phase/trailing edge) ≤ 5%



Due to continuous development and improvements, specifications are subject to change without notice. Solid State Luminaires reserves the right to change lab test details or specifications without notice. Product use certifies agreement to Solid State Luminaires terms and conditions.

# COVELINE XL WET 1.5



## Ordering Information

### ORDERING INFORMATION

CVLXWET1.5										
MODEL	LENGTH	CCT	CRI	OPTICS	OPTIONS					
CVLXWET1.5 COVELINE XL WET 1.5	1 12 in. (305 mm)	<b>WHITE LIGHT</b>	<b>MONO COLOR</b>	<b>CRI80</b> 80 CRI	<b>3080</b> 30°x80° beam	<b>WCL-1</b> Louvre (Black) - 1 ft.				
	4 46.8 in. (1189 mm)	<b>27K</b> 2700K	<b>AMB</b> Amber	<b>CRI90</b> 90 CRI	<b>120</b> 120°x120° beam	<b>WCL-4</b> Louvre (Black) - 4 ft.				
	6 70 in. (1778 mm)	<b>3K</b> 3000K	<b>BLU</b> Blue							
		<b>35K</b> 3500K	<b>LTBLU</b> Light Blue							
		<b>4K</b> 4000K	<b>RED</b> Red							
		<b>5K</b> 5000K								
						<b>WCL-6</b> Louvre (Black) - 6 ft.				
						<b>WCHS-1</b> Louvre w/House Shield (Black) - 1 ft.				
						<b>WCHS-4</b> Louvre w/House Shield (Black) - 4 ft.				
						<b>WCHS-6</b> Louvre w/House Shield (Black) - 6 ft.				

**Accessories** (Indicate the quantity needed for each item.) **REQUIRED:** Starter Cable (SC10W) and Terminator Cap (TCAPW) for every run. **Maximum Run Length** = 60 feet (120V)

- \_\_\_\_\_ **SC10W** 10 ft. Starter Connection Cord
- \_\_\_\_\_ **TCAPW** Terminator Cap
- \_\_\_\_\_ **EC12W** 12 in. Extension Cord
- \_\_\_\_\_ **EC24W** 24 in. Extension Cord
- \_\_\_\_\_ **EC60W** 60 in. Extension Cord

**Mounting Options (ADBW2 Included With Fixture) (requirements vary for each fixture ordered - see mounting pages for details)**

- \_\_\_\_\_ **ADBW2-90** 90° Adjustable Bracket (Bi-directional)
- \_\_\_\_\_ **CA2-6** Cantilever Arm - 6"
- \_\_\_\_\_ **CA2-12** Cantilever Arm - 12"
- \_\_\_\_\_ **CA2-18** Cantilever Arm - 18"
- \_\_\_\_\_ **LS-6** Landscape Spike - 6"
- \_\_\_\_\_ **HLS** Heavy Duty Landscape Spike

### Use Module Only to Convert 0-10V Signal to ELV Dimming

DIMO-10VELV is a dimming module that converts a 0-10V dimming signal to an ELV (electronic low-voltage) reverse phase dimming signal for ELV dimmable lighting products.

**Control Components** (Indicate the quantity needed for each item.) (1 module per run) (Indoor rated)

**REQUIRED:** Starter Cable (SC6) and Terminator Cap (TCAP) for every run.

- \_\_\_\_\_ **DIMO-10VELV-UNV-OJBM-IJBM-BLA** 0-10V ELV Dim Module, Output Junction Box Mount (12" lead wire), Input Junction Box Mount (12" lead wire), Interior Rated Enclosure, Black Anodized Alum.
- \_\_\_\_\_ **DIMO-10VELV-UNV-OCPPM-ICPPM-BLA** 0-10V ELV Dim Module, Output Conduit Pipe Mount (96" lead wire), Input Conduit Pipe Mount (96" lead wire), Interior Rated Enclosure, Black Anodized Alum.

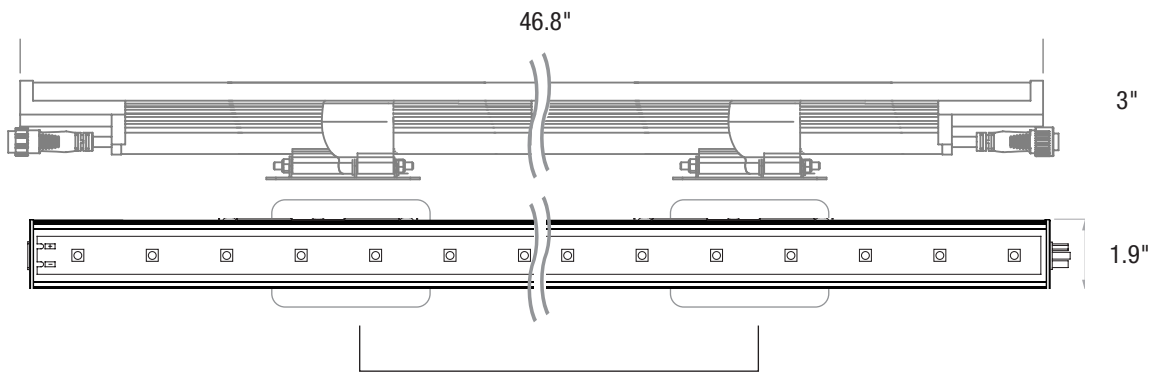
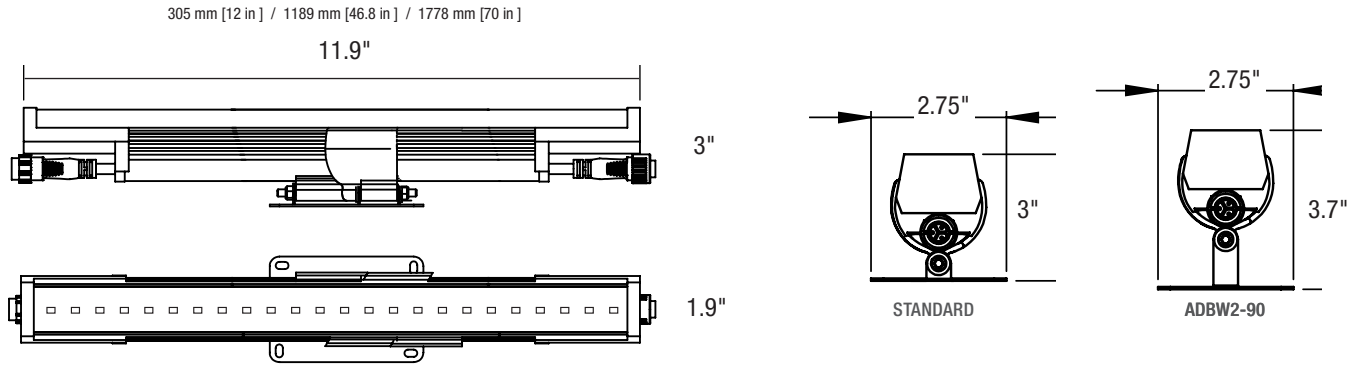
Due to continuous development and improvements, specifications are subject to change without notice. Solid State Luminaires reserves the right to change lab test details or specifications without notice. Product use certifies agreement to Solid State Luminaires terms and conditions.

# COVELINE XL WET 1.5

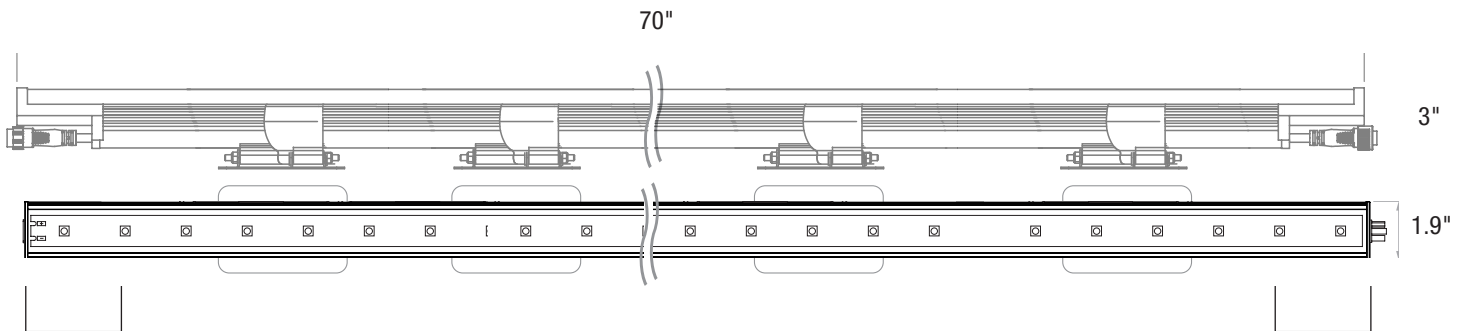


## Ordering Information

### DIMENSIONS WITH STANDARD BRACKET



Optimal spacing for bracket installation is 16" apart.



**TO PREVENT VOIDING THE WARRANTY, DO NOT INSTALL BRACKETS WITHIN 2" OF THE ENDS OF FIXTURE.**

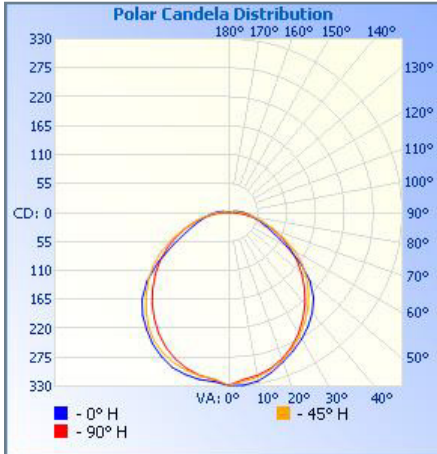
Due to continuous development and improvements, specifications are subject to change without notice. Solid State Luminaires reserves the right to change lab test details or specifications without notice. Product use certifies agreement to Solid State Luminaires terms and conditions.

# COVELINE XL WET 1.5



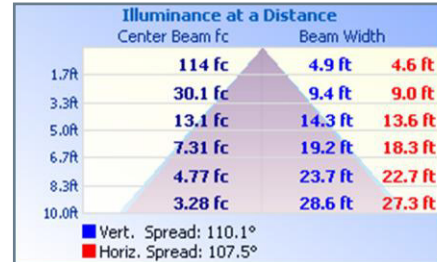
## Photometry

### CVLXWET1.5-1-120-4K-120° Zonal Lumen Summary Illuminance at a Distance

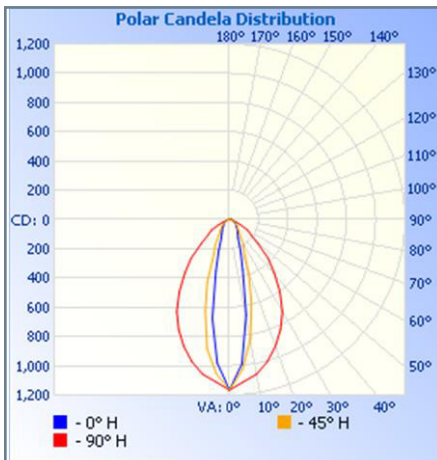


Zone	Lumens	% Luminaire
0-30	251.5	26.1%
0-40	412.7	42.8%
0-60	729.1	75.7%
60-90	212.8	22.1%
70-100	118.6	12.3%
90-120	21.6	2.2%
0-90	941.9	97.8%
90-180	21.6	2.2%
0-180	963.5	100%

Efficiency Total: 99%

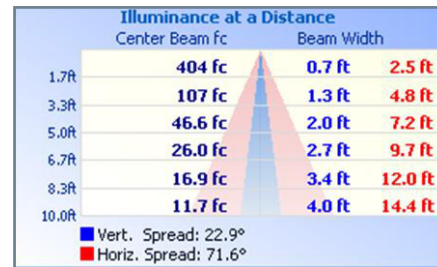


### CVLXWET1.5-1-120-4K-30°x 80° Zonal Lumen Summary Illuminance at a Distance



Zone	Lumens	% Luminaire
0-30	448.9	50.1%
0-40	599.9	67%
0-60	795.9	88.9%
60-90	84.5	9.4%
70-100	44.5	5%
90-120	15.0	1.7%
0-90	880.4	98.3%
90-180	15.0	1.7%
0-180	895.4	100%

Efficiency Total: 99%



Due to continuous development and improvements, specifications are subject to change without notice. Solid State Luminaires reserves the right to change lab test details or specifications without notice. Product use certifies agreement to Solid State Luminaires terms and conditions.

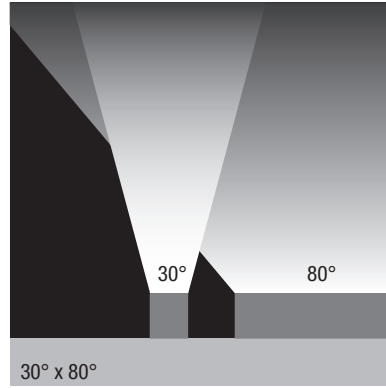
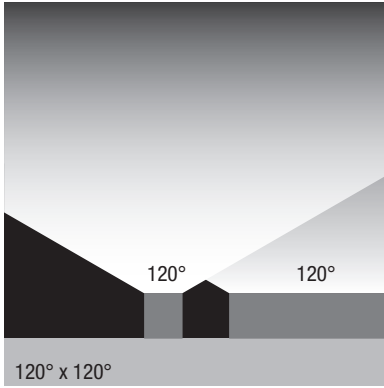
# COVELINE XL WET 1.5



## Photometry

### CVLXWET1.5 AVAILABLE OPTICS

FIND IES FILES ON [SOLIDSTATELUMINAIRES.COM](http://SOLIDSTATELUMINAIRES.COM)



### PERFORMANCE

### DIMMING

Model	Connected Wattage	Delivered Lumens				
		2700K	3000K	3500K	4000K	5000K
CVLXWET1.5-1	11	1061	1105	1152	1200	1248
CVLXWET1.5-4	44	4244	4420	4608	4800	4992
CVLXWET1.5-6	66	6366	6630	6912	7200	7488

### TRIAC, REVERSE PHASE DIMMING

Model	Description
DELV	Lutron Diva Dimmer 300P
SELV	Lutron Skylark Dimmer 153P
SCL	Lutron Skylark Dimmer 300P



DELV

SELV

SCL

Dimmers sold by others.

Due to continuous development and improvements, specifications are subject to change without notice. Solid State Luminaires reserves the right to change lab test details or specifications without notice. Product use certifies agreement to Solid State Luminaires terms and conditions.

# COVELINE XL WET 1.5

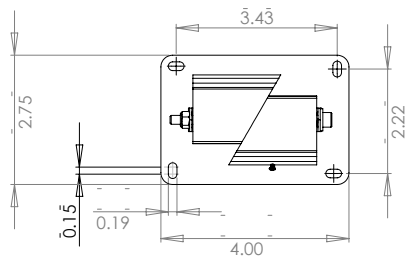
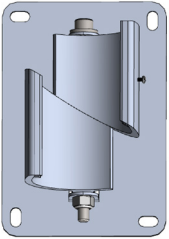


## Mounting Options

### STANDARD ADJUSTABLE BRACKET REQUIREMENTS

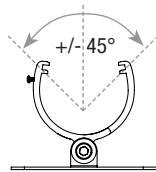
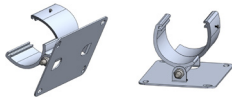
Minimum Bracket Requirement			
CVLXWet-1	1	CVLXWet-4	2
		CVLXWet-6	3

### STANDARD ADJUSTABLE BRACKET (ADBW2)



#### Universal Orientation

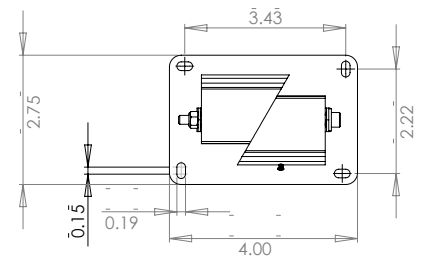
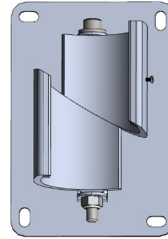
- Mounts to horizontal or vertical surfaces
- Easy installation w/fixture in position
- +/- 45° to surface



### 90° ADJUSTABLE BRACKET REQUIREMENTS

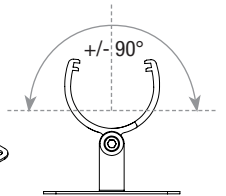
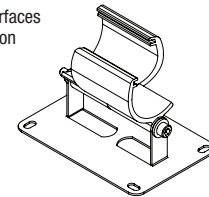
Minimum Bracket Requirement			
CVLXWet-1	1	CVLXWet-4	2
		CVLXWet-6	3

### 90° ADJUSTABLE BRACKET (ADBW2-90)



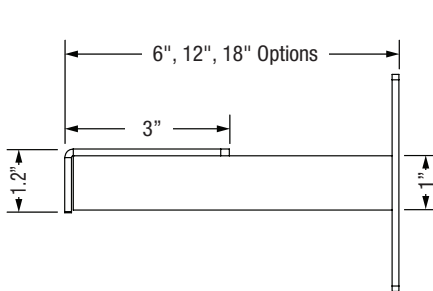
#### Universal Orientation

- Mounts to horizontal or vertical surfaces
- Easy installation w/fixture in position
- +/- 90° to surface

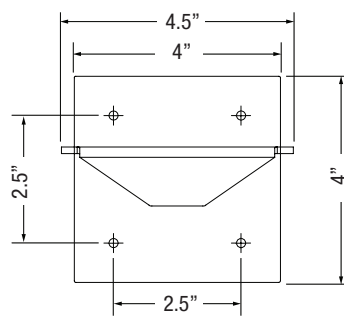


### CANTILEVER ARM (CA2)

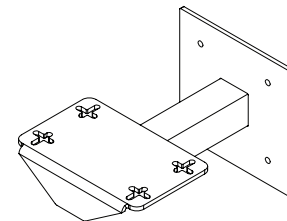
CA2	arm length	Fixture	CA2 Requirement
CA2-6	6"	1-foot	1
CA2-12	12"	4-foot	2
CA2-18	18"		



SIDE VIEW



FRONT VIEW



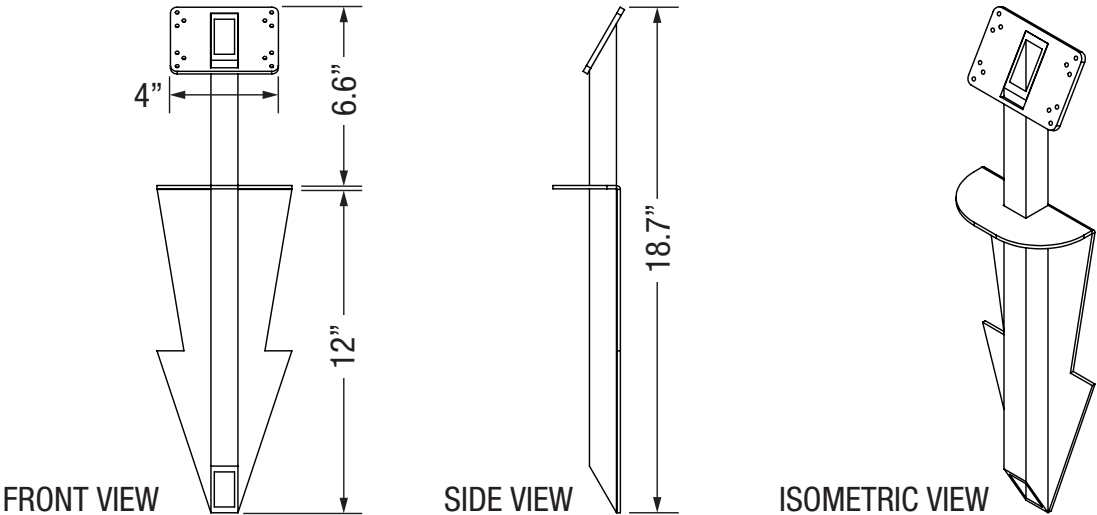
ISOMETRIC VIEW

Due to continuous development and improvements, specifications are subject to change without notice. Solid State Luminaires reserves the right to change lab test details or specifications without notice. Product use certifies agreement to Solid State Luminaires terms and conditions.

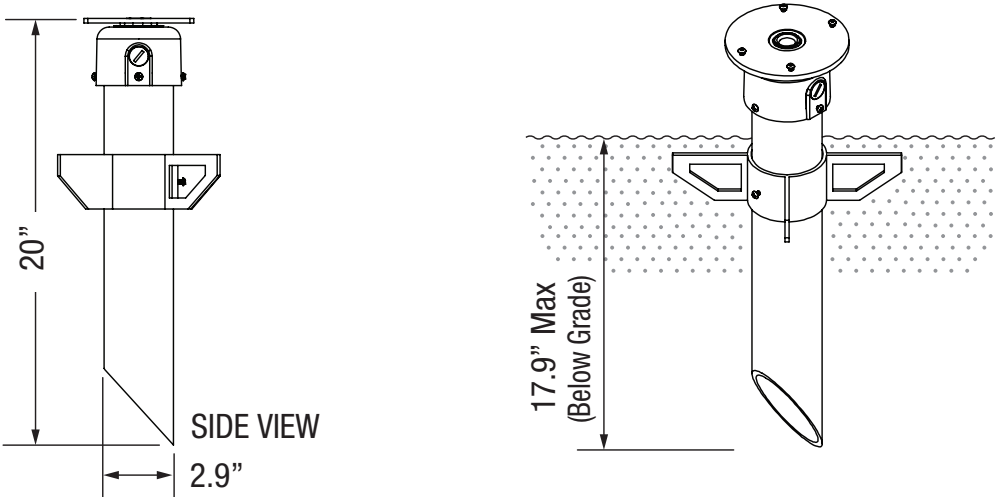


# Mounting Option Accessories

## LANDSCAPE SPIKE - LS-6



## HEAVE DUTY LANDSCAPE SPIKE - HLS



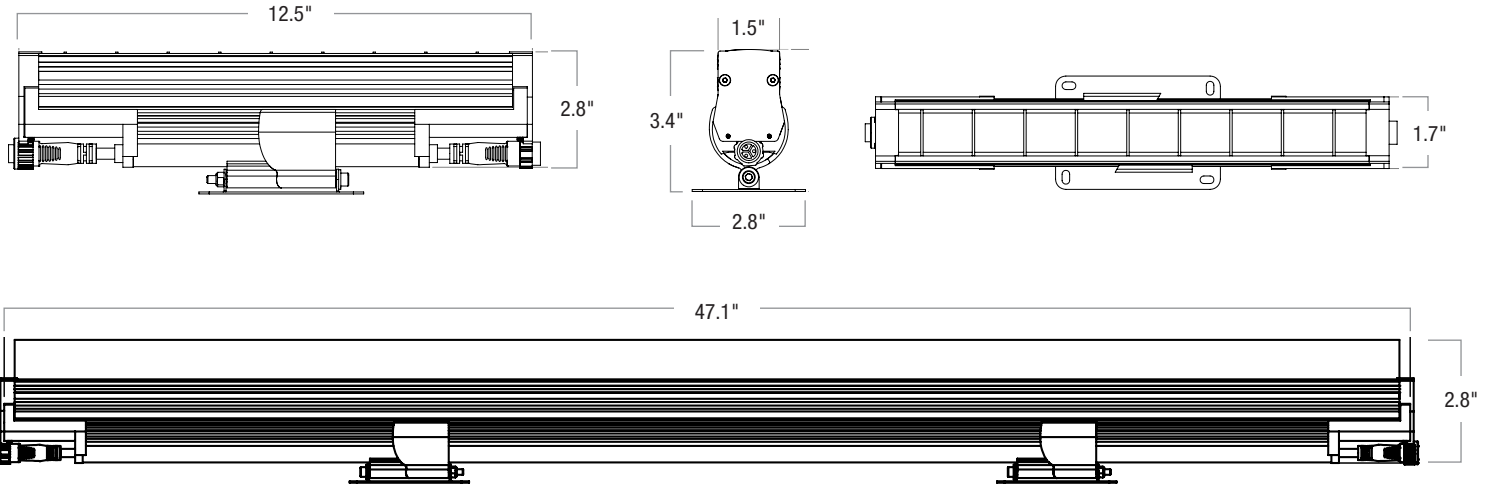
Due to continuous development and improvements, specifications are subject to change without notice. Solid State Luminaires reserves the right to change lab test details or specifications without notice. Product use certifies agreement to Solid State Luminaires terms and conditions.

# COVELINE XL WET 1.5

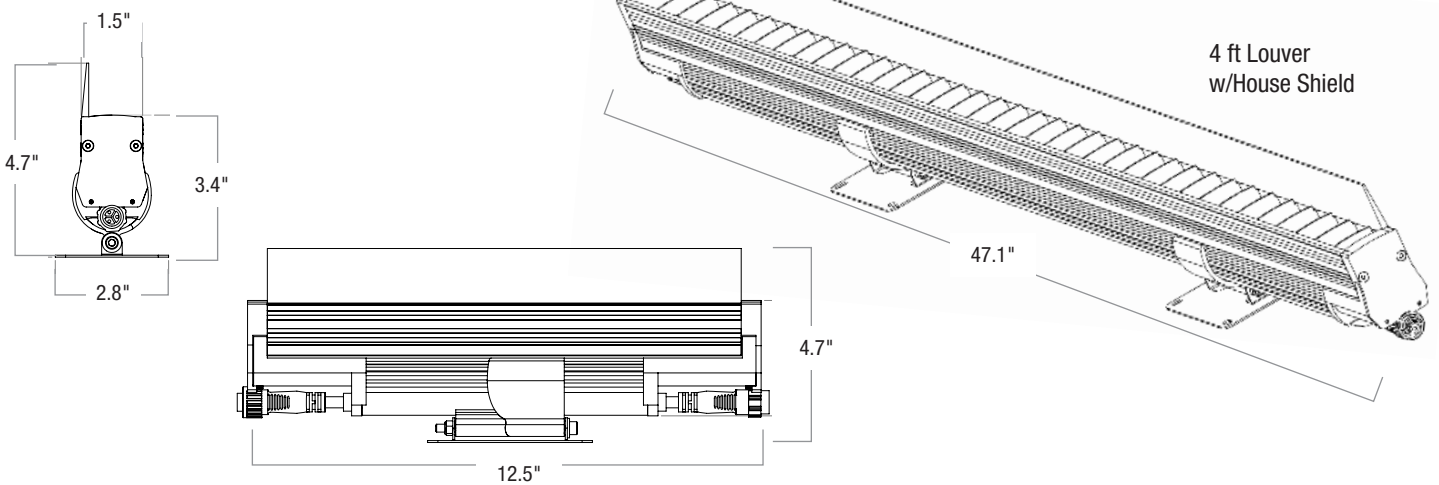


## Accessories

LOUVRE - WCL		1FT	4FT
louvre height	.25"	12.5"	47.1"
overall height w/bracket	3.4"	1.5"	1.5"



HOUSE SHIELD - WCHS		1FT	4FT
shield height	1.3"	12.5"	47.1"
overall height w/bracket	4.7"	1.5"	1.5"



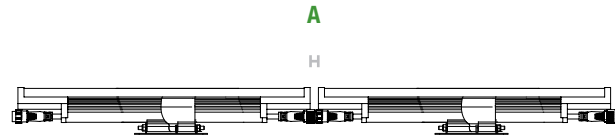
Due to continuous development and improvements, specifications are subject to change without notice. Solid State Luminaires reserves the right to change lab test details or specifications without notice. Product use certifies agreement to Solid State Luminaires terms and conditions.





## Connectivity Options

### CONNECTIONS & CABLES



Daisy Chain Fixtures (1')

**A:** MIN/0" - MAX/.38" between fixtures

**B:** SC10W - 10ft Starter Cord

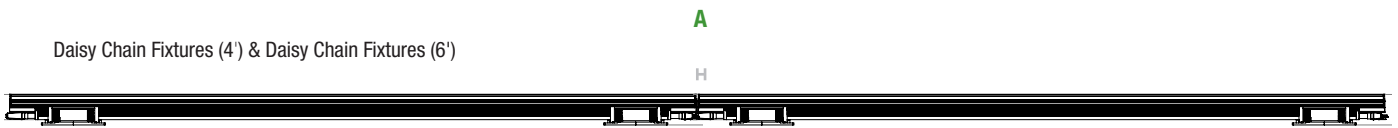
**C:** EC12W 12 in. Extension Cord

**C:** EC24W 24 in. Extension Cord

**C:** EC60W 60 in. Extension Cord

**D:** TCAPW 1.13" Terminator Cap

Daisy Chain Fixtures (4') & Daisy Chain Fixtures (6')



#### B: STARTER CABLES

INSURE FIRST FIXTURE IS ORIENTED TO ACCEPT MALE CONNECTOR STARTER CABLE



#### C: EXTENSION CABLES



#### D: TERMINATOR CAP TCAP



Due to continuous development and improvements, specifications are subject to change without notice. Solid State Luminaires reserves the right to change lab test details or specifications without notice. Product use certifies agreement to Solid State Luminaires terms and conditions.

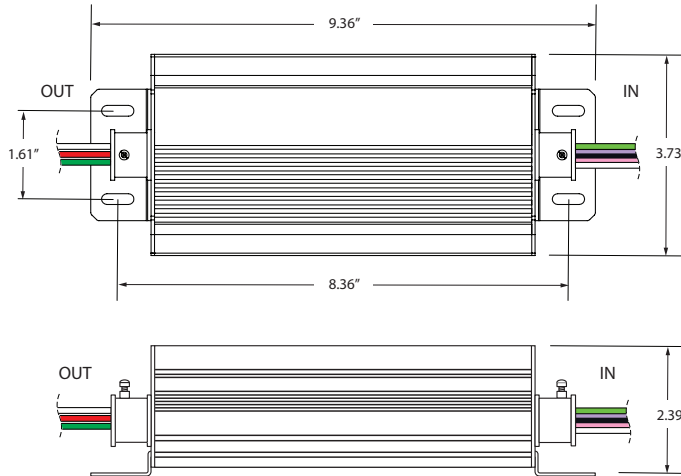


## Control Components

### CONTROL OVERALL DIMENSIONS (DIMO-10VELV) ALL VERSIONS

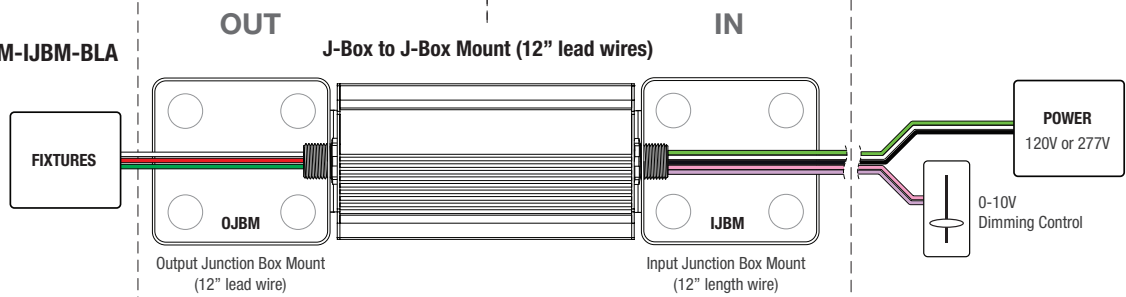
#### Use Module Only to Convert 0-10V Signal to ELV Dimming

Converts 0-10V signal for ELV Dimming protocol.

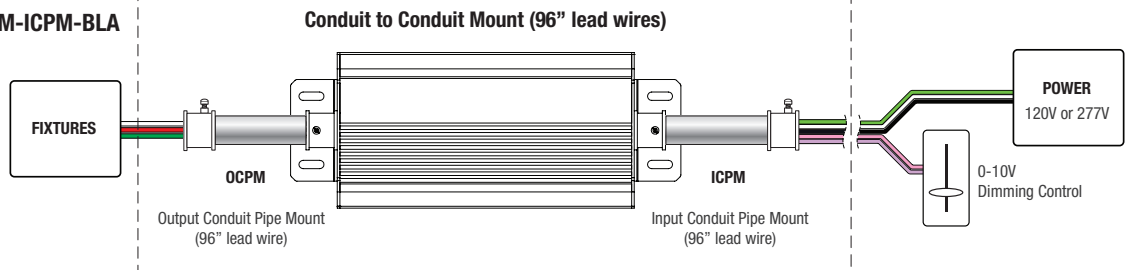


### CONTROL CONNECTIVITY (DIMO-10VELV) EACH VERSION

#### DIMO-10VELV-UNV-OJBM-IJBM-BLA



#### DIMO-10VELV-UNV-OCPM-ICPM-BLA



Due to continuous development and improvements, specifications are subject to change without notice. Solid State Luminaires reserves the right to change lab test details or specifications without notice. Product use certifies agreement to Solid State Luminaires terms and conditions.