

Type:

Approved:

Fixture:

Project:

# CVLX Color CoveLine XL



**CVLX Color CoveLine** is a low profile LED cove luminaire with 10 static color LED options, Pink, Violet, Light Blue, Spring Green, Yellow, Golden Yellow, Amber, Red, Green & Blue. **CVLX Color CoveLine** available in 1 ft, 2 ft, or 4 ft nominal lengths. The housing is constructed of extruded aluminum with tooled end caps and IP20 rated for interior use only. Features Plug N' Play connectors and other accessories for easy installation. Flicker free dimming to 3% brightness ELV trailing edge.



## SPECIFICATION

static colors	PINK	VIOLET	LIGHT BLUE	SPRING GREEN	YELLOW	GOLDEN YELLOW	AMBER	RED	GREEN	BLUE
lumen output	440 / foot	440 / foot	968 / foot	1320 / foot	484 / foot	1144 / foot	528 / foot	242 / foot	286 / foot	660 / foot
beam spread	60° - 120°									
LEDs per foot	22									
color consistency	3-step MacAdam Ellipse / CRI ≥ 84									
lifetime	> 70,000 hours / L70 or better									
input voltage	Universal 120–277V AC									
power consumption	11W									
dimensions [ L x W x H ]	12" x 1.65" x 1.75"		46.8" x 1.65" x 1.75"							
weight	1 lbs. per foot									
housing	extruded aluminum housing with tooled end caps									
lens	etched polycarbonate									
mounting	surface mounting with (+/- 15°) adjustable brackets (ADB2 option +/- 90°)									
operating temperature	-10°C to 40°C									
junction temperature	60°C @ T <sup>a</sup> 25°C									
interface	dimmable to 3% full brightness, (ELV) electronic low-voltage trailing edge, synchronized w/ soft shut-off									
power supply	integral Class II, electronic high-power factor 94%									
certification	ETL / cETL or CE									
standards	UL-Class I / IES LM-79 / LM-80									
environment	dry, interior location / IP 20									
warranty	5 year limited warranty (refer to website for details)									



# Ordering Information

## PRODUCT NUMBERS

CVLX						
MODEL		LENGTH		COLOR	OPTICS	OPTIONS
CVLX COVELINE XL	1	305 mm [ 12 in. ]		PK PINK **	60 60°x100° beam	BEA6G2 Bracket Extension Arm - 6"
	4	1219 mm [ 46.8 in. ]		VL VIOLET **	120 120°x 120° beam	BEA12G2 Bracket Extension Arm - 12"
				LB LIGHT BLUE **		BEA18G2 Bracket Extension Arm - 18"
				SG SPRING GREEN **		BL Black Louvre
				YW YELLOW **		
				GY GOLDEN YELLOW **		
				AM AMBER **		
				RD RED **		
				GR GREEN **		
				BL BLUE **		

\*\* Consult Factory (minimum order quantity)

## Accessories (Indicate the quantity needed for each item.)

**REQUIRED:** Starter Cable (SC6) and Terminator Cap (TCAP) for every run. **Maximum Run Length** = 60 feet (1-foot) @ 120VAC , 80 feet (4 foot) @ 120VAC

\_\_\_\_\_ SC6 6 ft. Starter Connection Cord

\_\_\_\_\_ TCAP Terminator Cap

\_\_\_\_\_ EC06 6 in. Extension Cord

\_\_\_\_\_ EC12 12 in. Extension Cord

\_\_\_\_\_ EC24 24 in. Extension Cord

\_\_\_\_\_ EC60 60 in. Extension Cord

## Mounting Options (Indicate the quantity needed for each item.)

\_\_\_\_\_ ADB2 180° Adjustable Bracket

\_\_\_\_\_ CA2/6 Cantilever Arm - 6"

\_\_\_\_\_ CA2/12 Cantilever Arm - 12"

\_\_\_\_\_ CA2/18 Cantilever Arm - 18"

## Use Module Only to Convert 0-10V Signal to ELV Dimming

DIM0-10VELV is a dimming module that converts a 0-10V dimming signal to an ELV (electronic low-voltage) reverse phase dimming signal for ELV dimmable lighting products.

## Control Components (Indicate the quantity needed for each item.) (1 module per run) (Indoor rated)

**REQUIRED:** Starter Cable (SC6) and Terminator Cap (TCAP) for every run.

\_\_\_\_\_ DIM0-10VELV-UNV-OJBM-IJBM-BLA 0-10V ELV Dim Module, Output Junction Box Mount (12" lead wire), Input Junction Box Mount (12" lead wire), Interior Rated Enclosure, Black Anodized Alum.

\_\_\_\_\_ DIM0-10VELV-UNV-OCPM-ICPM-BLA 0-10V ELV Dim Module, Output Conduit Pipe Mount (96" lead wire), Input Conduit Pipe Mount (96" lead wire), Interior Rated Enclosure, Black Anodized Alum.

**REQUIRED:** Extension Cord (ECXX) XX=06, 12, 24, or 60 Inch Lengths (Pick Length to use based on 1st fixture to DIM0-10VELV unit distance) and Terminator Cap (TCAP) for every run.

\_\_\_\_\_ DIM0-10VELV-UNV-OSCM-IJBM-BLA 0-10V ELV Dim Module, Output Starter Cord Mount (6" lead wire), Input Junction Box Mount (6" lead wire), Interior Rated Enclosure, Black Anodized Alum.



US Commercial Lighting Manufacturer Since 1982

Due to continuous development and improvements, specifications are subject to change without notice. Solid State Luminaires reserves the right to change lab test details or specifications without notice. Product use certifies agreement to Solid State Luminaires terms and conditions.

# Photometry

## CVLX Color CoveLine XL



### COLORS

CVLX-PK (PINK)



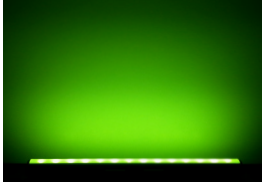
CVLX-VL (VIOLET)



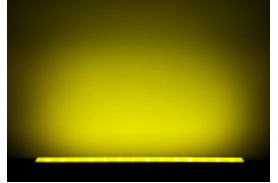
CVLX-LB (LIGHT BLUE)



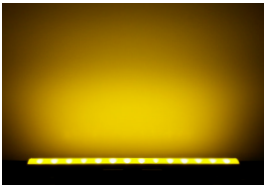
CVLX-SG (SPRING GREEN)



CVLX-YW (YELLOW)



CVLX-GY (GOLDEN YELLOW)



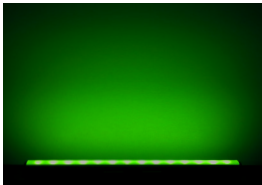
CVLX-AM (AMBER)



CVLX-RD (RED)



CVLX-GR (GREEN)



CVLX-BL (BLUE)



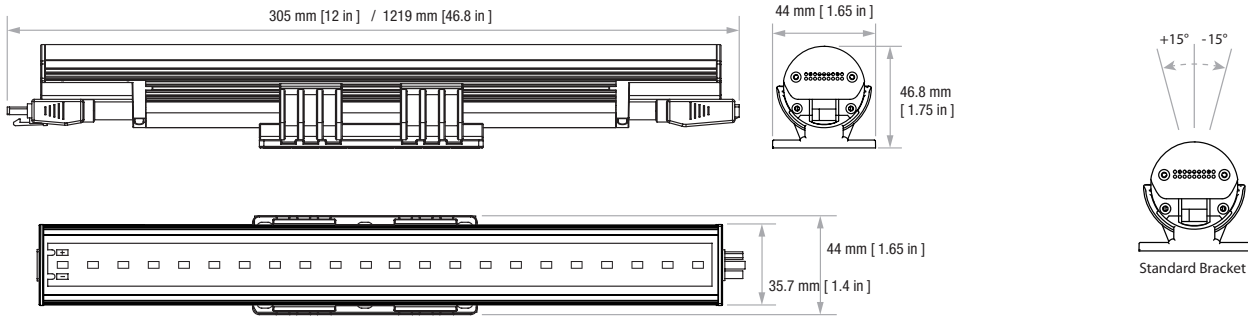
### PERFORMANCE

Model	Connected Wattage	Delivered Lumens									
		PINK	VIOLET	LIGHT BLUE	SPRING GREEN	YELLOW	GOLDEN YELLOW	AMBER	RED	GREEN	BLUE
CVLX-1	11	440	440	968	1320	484	1144	528	242	286	660
CVLX-4	44	1760	1760	3872	5280	1936	4576	2112	968	1144	2640

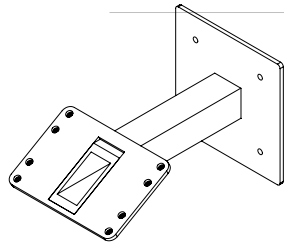
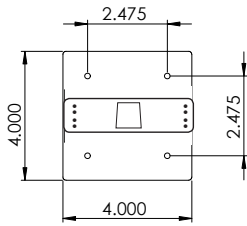
# CVLX Color CoveLine XL



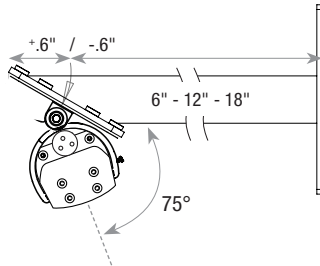
## Dimensions & Accessories



### BRACKET EXTENSION ARM (BEA-G2)

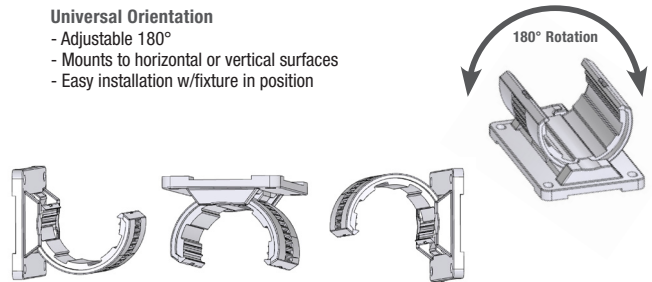


- Extends From Mounting Surface**
- Available in 6", 12" or 18" lengths
  - BEA comes with ADB2 bracket
  - Comes standard in FC Silver



### ADJUSTABLE BRACKET (ADB2)

- Universal Orientation**
- Adjustable 180°
  - Mounts to horizontal or vertical surfaces
  - Easy installation w/fixture in position

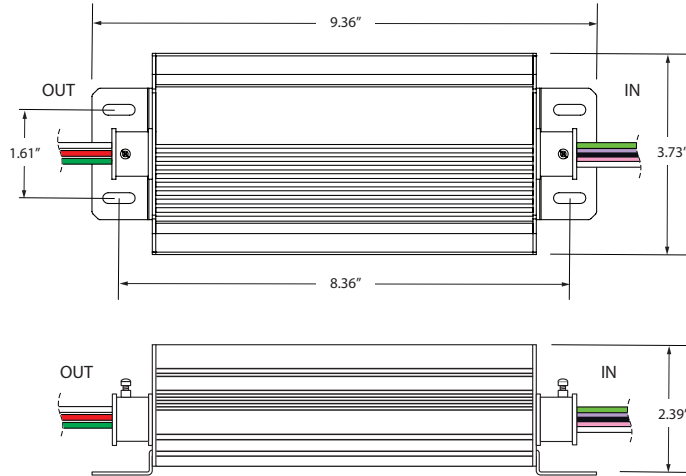


# Control Components

## OVERALL DIMENSIONS (DIMO-10VELV)

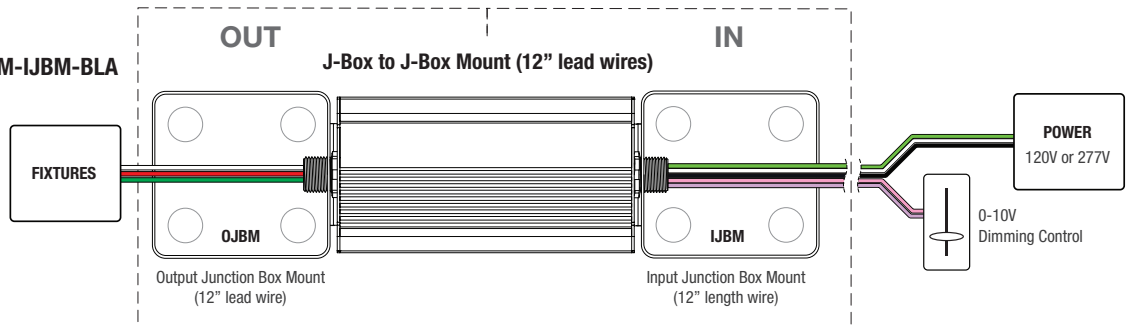
**Use Module Only to Convert 0-10V Signal to ELV Dimming**

Converts 0-10V signal for ELV Dimming protocol.

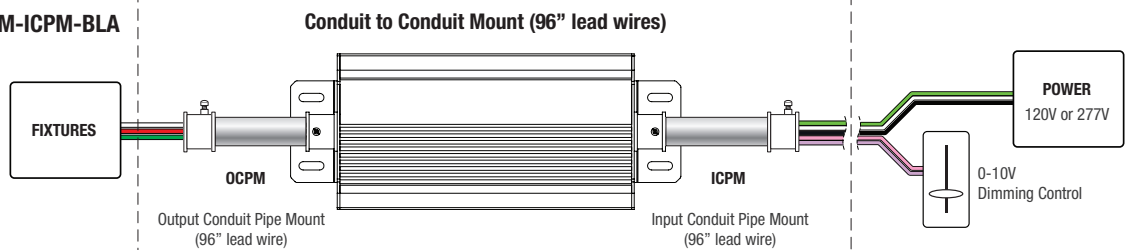


## CONNECTIVITY TYPES (DIMO-10VELV)

**DIMO-10VELV-UNV-OJBM-IJBM-BLA**



**DIMO-10VELV-UNV-OCPM-ICPM-BLA**



**DIMO-10VELV-UNV-OSCM-IJBM-BLA**

