

Type:

Fixture:

Project:

Approved:

CVL Color CoveLine



CVL Color CoveLine (CVL) is a low profile LED cove luminaire with 4 static color LED options, Red, Green, Blue & Amber. **CVL Color CoveLine** comes in 1 ft, 2 ft, or 4 ft nominal lengths. The housing is constructed of extruded aluminum with tooled end caps and IP20 rated for interior use only. Features Plug N' Play connectors and other accessories for easy installation. Flicker free dimming to 3% brightness ELV trailing edge.



SPECIFICATION

color temperature	RED	GREEN	BLUE	AMBER
lumen output	198 per foot	430 per foot	580 per foot	235 per foot
beam spread	10° - 25° - 40° - 80° - 120° - 10° x 40° - 30° x 60° - 67° x 140°			
LEDs per foot	7			
color consistency	3 SDCM / 84CRI			
lifetime	> 70,000 hours / L70 or better			
input voltage	Universal 120–277V AC			
power consumption	10W			
dimensions [L x W x H]	12" x 1.65" x 1.75"	24" x 1.65" x 1.75"	46.8" x 1.65" x 1.75"	
weight	1 lbs. per foot			
housing	extruded aluminum housing with tooled end caps			
lens	etched polycarbonate			
mounting	surface mounting with (+/- 15°) adjustable brackets (ADB2 option +/- 90°)			
operating temperature	-10°C to 40°C			
junction temperature	75°C @ T _a 25°C			
interface	dimmable to 3% full brightness, (ELV) electronic low-voltage trailing edge, synchronized w/ soft shut-off			
power supply	integral Class II, electronic high-power factor 94%			
certification	ETL / cETL or CE			
standards	UL-Class I / IES LM-79 / LM-80			
environment	dry, interior location / IP 20			
warranty	5 year limited warranty (refer to website for details)			

Due to continuous development and improvements, specifications are subject to change without notice. Solid State Luminaires reserves the right to change lab test details or specifications without notice. Product use certifies agreement to Solid State Luminaires terms and conditions.

Ordering Information

PRODUCT NUMBERS

CVL									
MODEL	LENGTH	COLOR		OPTICS		OPTIONS			
CVL	COVELINE COLOR	1	305 mm [12 in.]	AM	AMBER **	10	10°x10° beam	BL	Black Louvre
		2	610 mm [24 in.]	RD	RED **	25	25°x 25° beam		
		4	1219 mm [46.8 in.]	GR	GREEN **	40	40°x 40° beam		
				BL	BLUE **	80	80°x 80° beam		
						120	120°x120° beam (standard)		
						1040	10° x 40° beam		
						3060	30° x 60° beam		
						67140	67° x 140° beam		

** Consult Factory (minimum order quantity)

Cable Accessories (Indicate the quantity needed next to each item.)

REQUIRED: Starter Cable (SC6) and Terminator Cap (TCAP) for every run. **Maximum Run Length** = 60 feet

_____ **SC6** 6 ft. Starter Connection Cord

_____ **EC06** 6 in. Extension Cord

_____ **TCAP** Terminator Cap

_____ **EC12** 12 in. Extension Cord

_____ **EC24** 24 in. Extension Cord

_____ **EC60** 60 in. Extension Cord

Mounting Options (Indicate the quantity needed for each item.)

_____ **ADB2** 180° Adjustable Bracket

_____ **CA2-6** Cantilever Arm - 6"

_____ **CA2-12** Cantilever Arm - 12"

_____ **CA2-18** Cantilever Arm - 18"

Use Module Only to Convert 0-10V Signal to ELV Dimming

DIM0-10VELV is a dimming module that converts a 0-10V dimming signal to an ELV (electronic low-voltage) reverse phase dimming signal for ELV dimmable lighting products.

Control Components (Indicate the quantity needed for each item.) (1 module per run) (Indoor rated)

REQUIRED: Starter Cable (SC6) and Terminator Cap (TCAP) for every run.

_____ **DIM0-10VELV-UNV-OJBM-IJBM-BLA** 0-10V ELV Dim Module, Output Junction Box Mount (12" lead wire), Input Junction Box Mount (12" lead wire), Interior Rated Enclosure, Black Anodized Alum.

_____ **DIM0-10VELV-UNV-OCPM-ICPM-BLA** 0-10V ELV Dim Module, Output Conduit Pipe Mount (96" lead wire), Input Conduit Pipe Mount (96" lead wire), Interior Rated Enclosure, Black Anodized Alum.

REQUIRED: Extension Cord (ECXX) XX=06, 12, 24, or 60 Inch Lengths (Pick Length to use based on 1st fixture to DIM0-10VELV unit distance) and Terminator Cap (TCAP) for every run.

_____ **DIM0-10VELV-UNV-OSCM-IJBM-BLA** 0-10V ELV Dim Module, Output Starter Cord Mount (6" lead wire), Input Junction Box Mount (6" lead wire), Interior Rated Enclosure, Black Anodized Alum.

Due to continuous development and improvements, specifications are subject to change without notice. Solid State Luminaires reserves the right to change lab test details or specifications without notice. Product use certifies agreement to Solid State Luminaires terms and conditions.



US Commercial Lighting Manufacturer Since 1982

Specification Sheet

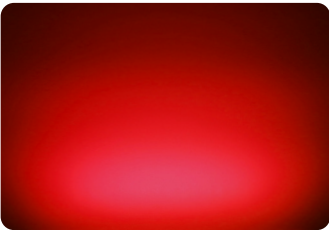
Photometry

CVL Color CoveLine

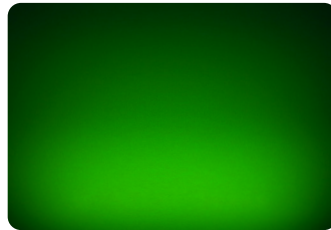


COLORS

CVL-RD (RED)



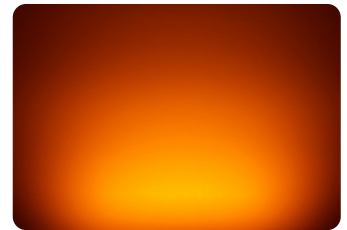
CVL-GR (GREEN)



CVL-BL (BLUE)



CVL-AM (AMBER)



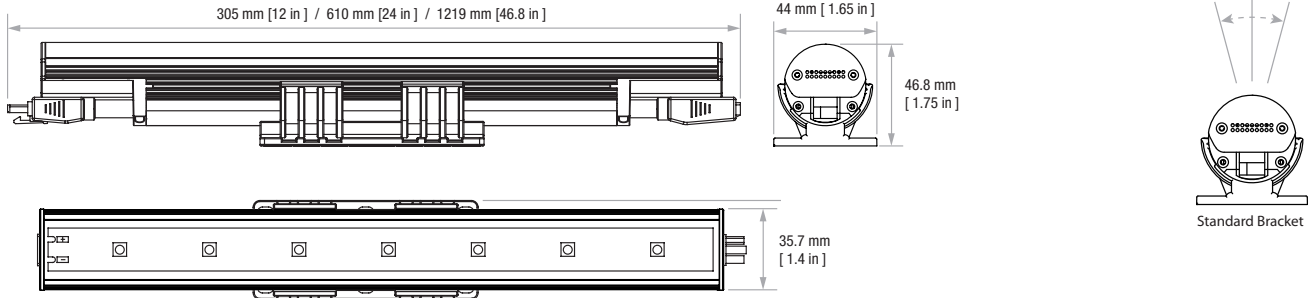
PERFORMANCE

Model	Connected		Delivered Lumens			
	Wattage	RED	GREEN	BLUE	AMBER	
CVLX-1	10	198	430	580	235	
CVLX-2	20	396	860	1160	470	
CVLX-4	30	792	1720	2320	940	

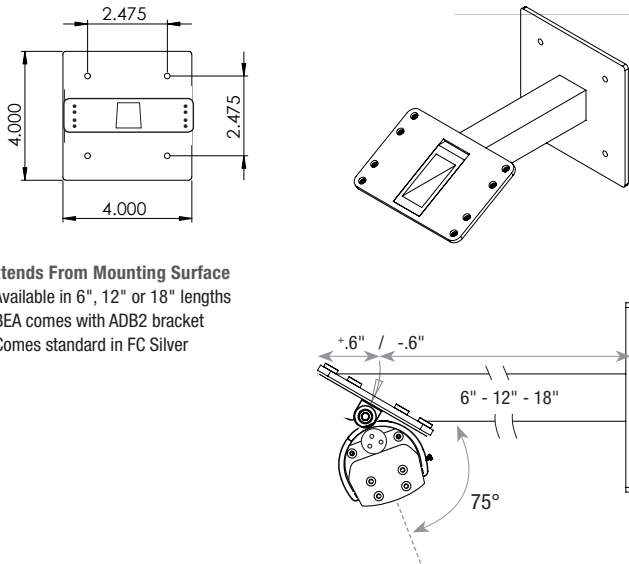
Due to continuous development and improvements, specifications are subject to change without notice. Solid State Luminaires reserves the right to change lab test details or specifications without notice. Product use certifies agreement to Solid State Luminaires terms and conditions.



Dimensions & Accessories

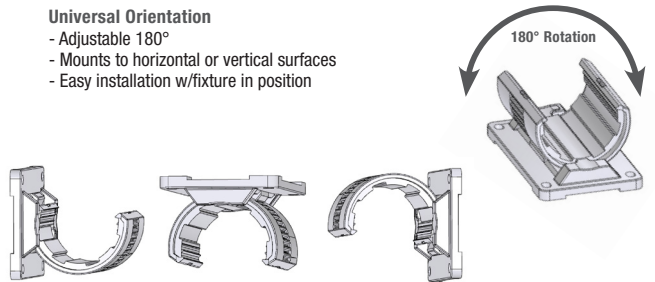


BRACKET EXTENSION ARM (BEA-G2)



- Extends From Mounting Surface**
- Available in 6", 12" or 18" lengths
 - BEA comes with ADB2 bracket
 - Comes standard in FC Silver

ADJUSTABLE BRACKET (ADB2)



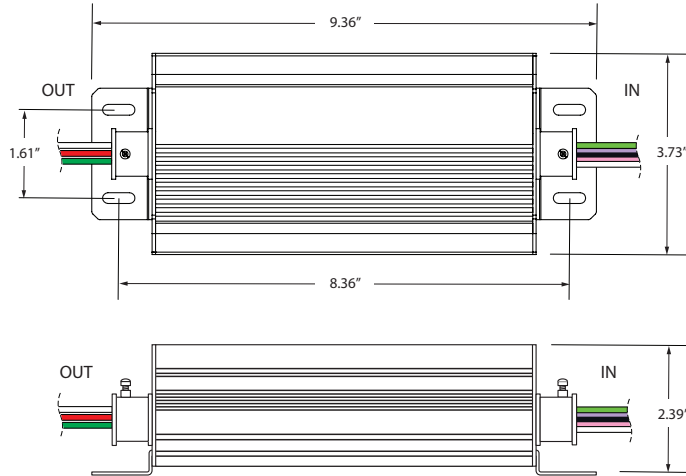
Due to continuous development and improvements, specifications are subject to change without notice. Solid State Luminaires reserves the right to change lab test details or specifications without notice. Product use certifies agreement to Solid State Luminaires terms and conditions.

Control Components

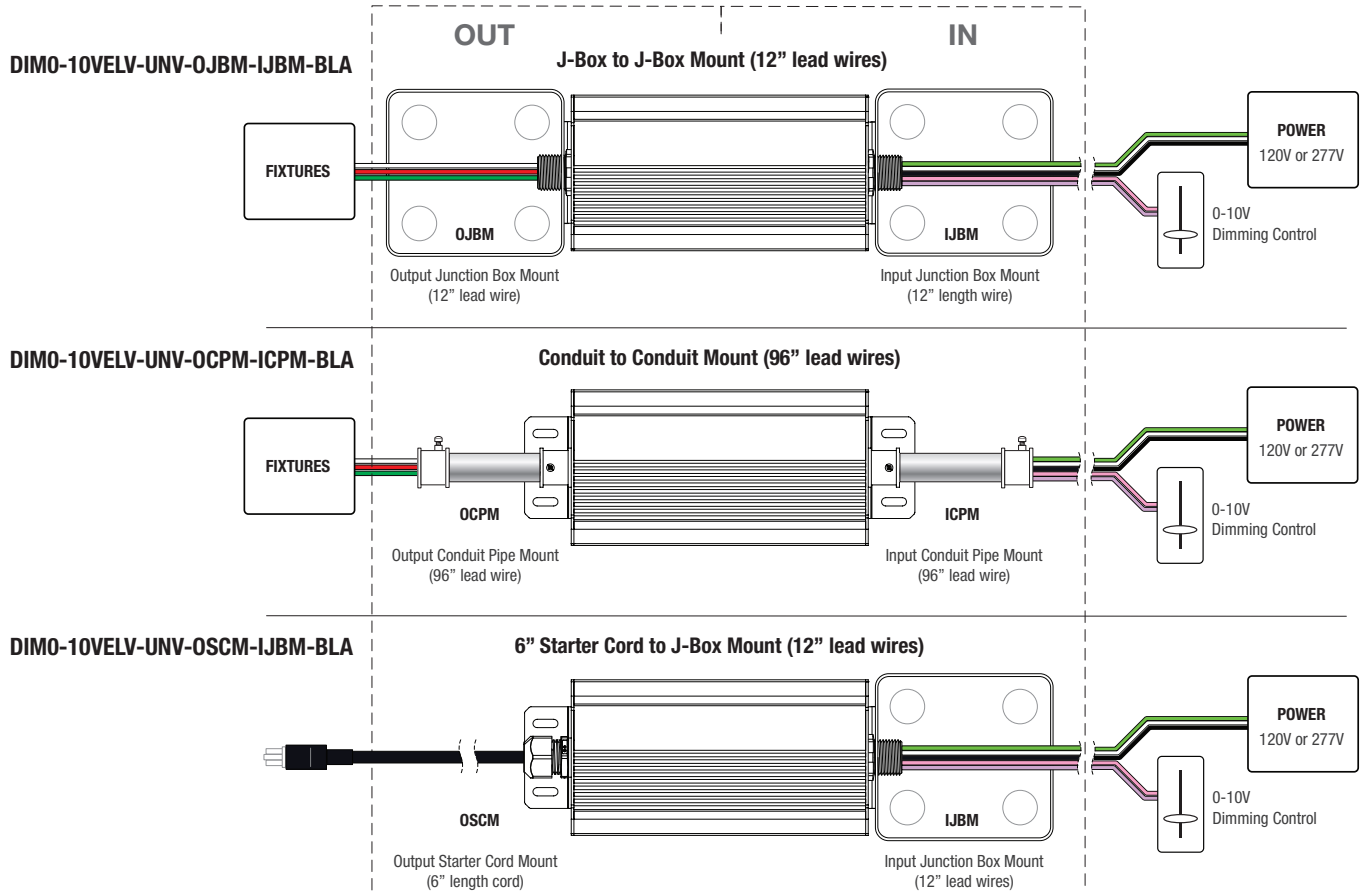
OVERALL DIMENSIONS (DIMO-10VELV)

Use Module Only to Convert 0-10V Signal to ELV Dimming

Converts 0-10V signal for ELV Dimming protocol.



CONNECTIVITY TYPES (DIMO-10VELV)



Due to continuous development and improvements, specifications are subject to change without notice. Solid State Luminaires reserves the right to change lab test details or specifications without notice. Product use certifies agreement to Solid State Luminaires terms and conditions.