

COVELINE & ECOVELINE SERIES — INSTALLATION INSTRUCTIONS

CAUTION: BEFORE CONNECTING THE LUMINAIRE TO A POWER SUPPLY, MAKE SURE THE POWER IS SWITCHED OFF.



STANDARD DIMENSIONS & CABLES

GENERAL:

1. Before starting the installation, make sure all electricity has been turned off and electrical breaker has been locked out and tagged out.
2. To ensure the success of the installation, be sure to read these instructions and review the diagrams thoroughly before beginning.
3. All electrical connections must be in accordance with local codes, ordinances, or the National Electrical Code.

NOTE: The important safeguards and instructions appearing in this manual are not meant to cover all possible conditions and situations that may occur.

INSTALLATION:

IMPORTANT: Allow proper spacing around luminaire to reduce heat and prolong LED life (Figure 1).

- 1) Remove mounting bracket(s) from luminaire.
- 2) Secure mounting bracket(s) to surface using screws. **Ensure brackets are aligned.** (Figure 2).
- 3) Attach luminaire to the mounting brackets in the desired position (Figure 2). Grooves on side of luminaire clip into mounting bracket and allow you to set desired light direction. Repeat steps 1-3 for mounting multiple luminaires. Luminaires connect end-to-end. (Figure 4)

NOTE: Starter Cable (SC6) and Terminator Cap (TCAP) are required for every run. (Figure 4)

- 4) Use Extension Cable when necessary, for corners and extending luminaire run. (Figure 5)

NOTE: Cable-Tie may be inserted thru bracket, around luminaire, for inverted applications. (Figure 3)

IMPORTANT: DO NOT exceed product's **Maximum Run Length.** (Figure 6)

Use the list below as a reference:

- CoveLine (CVL)—60 ft
- CoveLine XL (CVLX)—60 ft
- eCoveLine (ECVL)—120 ft
- eCoveLine XL (ECVLX)—80 ft
- eCoveLineWD-E (ECVLWD)—120 ft

CAUTION: Before connecting the luminaire(s) to power make sure power is off.

NOTE: DO NOT connect power until luminaires are properly mounted, connected and wired.

- 5) **FOR DIMMING:** Use standard electronic low-voltage trailing edge dimmer (ELV). Product dimmable to 5% full brightness. Refer to specific manufacturer for wiring and operation information.

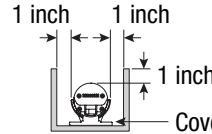
NOTE: For Dimmer, check Watt limitation and current leakage restriction.

- 6) Once all luminaires are mounted, connected and wired correctly turn power on at the breaker box.
- 7) Then turn the luminaires on.
- 8) If troubleshooting is necessary, turn power off again at breaker box—lock out and tag out.

DETAILED ILLUSTRATION

Figure 1

CoveLine must have at least 1 inch spacing on both sides and above

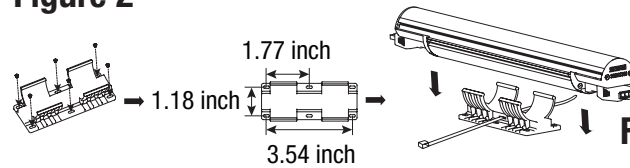


CoveLine must be 0.375 inch above the mounting surface

IMPORTANT: Allow proper spacing around luminaire to reduce heat and prolong LED life. Avoid total enclosure of CoveLine luminaire. Allow air circulation around luminaire during operation.

MAINTENANCE: Luminaires should be protected from paint and plaster work during construction. Excessive dirt accumulation can lead to overheating and shorten the expected life of the LEDs. Wipe the luminaire with dish soap on a damp rag to remove excess dirt and maintain maximum light output. Do not use harsh cleaning chemicals as this can discolor the lens. Do not use water under pressure.

Figure 2



120 – 277 VAC
UNIVERSAL VOLTAGE

Figure 4

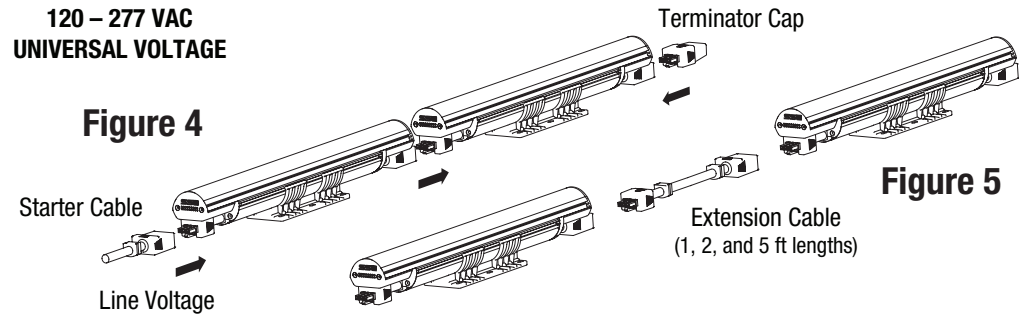
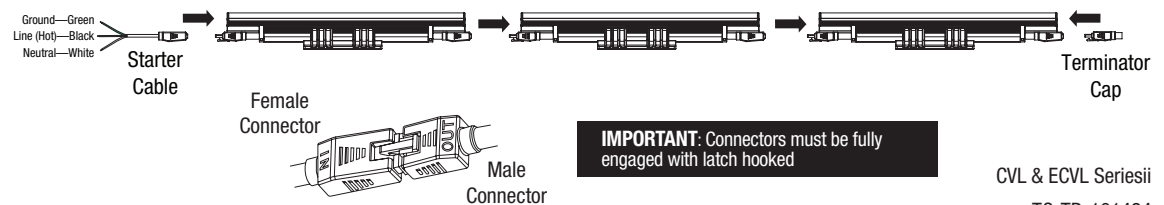


Figure 6

Each Luminaire in the CoveLine Series has a Maximum Run Length



IMPORTANT: Connectors must be fully engaged with latch hooked

COVELINE & ECOVELINE SERIES — INSTALLATION INSTRUCTIONS

CAUTION: BEFORE CONNECTING THE LUMINAIRE TO A POWER SUPPLY, MAKE SURE THE POWER IS SWITCHED OFF.

CHICAGO CODE COMPLIANT

GENERAL:

1. Before starting the installation, make sure all electricity has been turned off and electrical breaker has been locked out and tagged out.
2. To ensure the success of the installation, be sure to read these instructions and review the diagrams thoroughly before beginning.
3. All electrical connections must be in accordance with local codes, ordinances, or the National Electrical Code.

NOTE: The important safeguards and instructions appearing in this manual are not meant to cover all possible conditions and situations that may occur.

INSTALLATION:

- 1) Remove mounting bracket(s) from luminaire.
- 2) Secure mounting bracket(s) to surface using screws (Figure 1).
- 3) Attach luminaire to the mounting brackets in the desired position (Figure 1). Grooves on side of luminaire clip into mounting bracket and allow you to set desired light direction. Repeat steps 1-3 for mounting multiple luminaires. Luminaires connect end-to-end. (Figure 2)

NOTE: Starter Cable (SC6) and Terminator Cap (TCAP) are required for every run. (Figure 2)

IMPORTANT: DO NOT exceed product's **Maximum Run Length**. (Figure 3)

Use the list below as a reference:

- CoveLine (CVL)—60 ft
- eCoveLine (ECVL)—120 ft
- CoveLine XL (CVLX)—60 ft
- eCoveLine XL (ECVLX)—80 ft

CAUTION: Before connecting the luminaire(s) to power make sure power is off.

NOTE: DO NOT connect power until luminaires are properly mounted, connected and wired.

- 4) **FOR DIMMING:** Use standard electronic low-voltage trailing edge dimmer (ELV). Product dimmable to 5% full brightness. Refer to specific manufacturer for wiring and operation information.

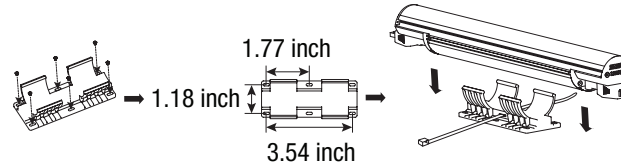
NOTE: For Dimmer, check Watt limitation and current leakage restriction.

- 5) Once all luminaires are mounted, connected and wired correctly turn power on at the breaker box.
- 6) Then turn the luminaires on.
- 7) If troubleshooting is necessary, turn power off again at breaker box—lock out and tag out.

DETAILED ILLUSTRATION



Figure 1



120 – 277 VAC
UNIVERSAL VOLTAGE

Figure 2

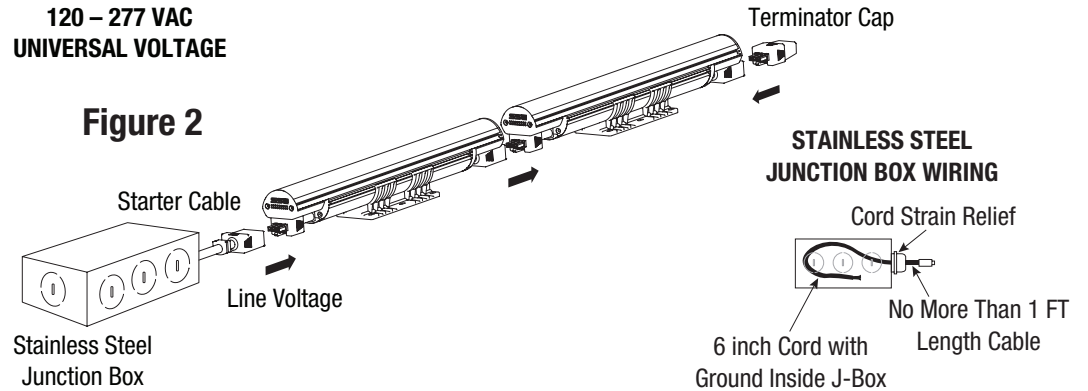
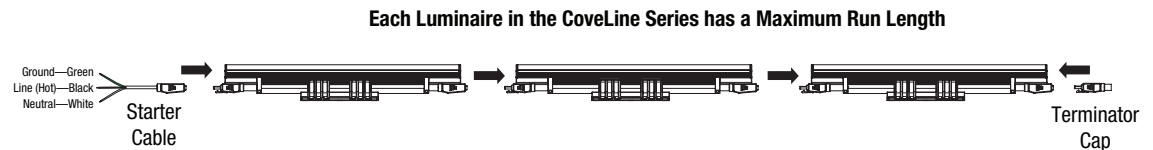


Figure 3



COVELINE & ECOVELINE SERIES — INSTALLATION INSTRUCTIONS

CAUTION: BEFORE CONNECTING THE LUMINAIRE TO A POWER SUPPLY, MAKE SURE THE POWER IS SWITCHED OFF.

LOUVER INSTALLATION

DETAILED ILLUSTRATION



INSTALLATION — CVLLMB-01/04:

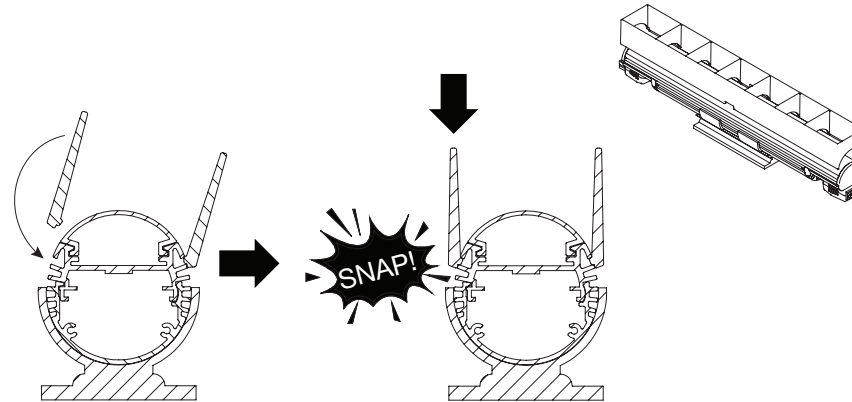
1. To field-install the louver, place the louver upon the top of the luminaire and firmly press down until it snaps in place.

NOTE: For best results, place the louver down at an angle. Hook the retention fingers into the first channel. Apply force to the opposite end and the louver be held in place.

2. Adjust the louver left-to-right so that each of the louver fins sits between two optical lenses. The edge of the louver should be flush with the endcap.

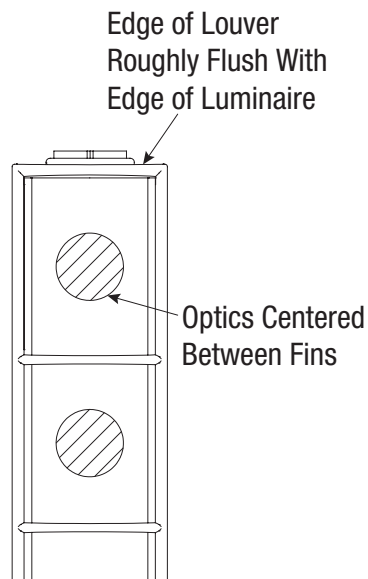
NOTE: Multiple segments must be used to louver a four foot long luminaire.

CVLLMB-01/04



Louver Placement

CORRECT PLACEMENT



INCORRECT PLACEMENT

