

## CYLINDERS (CM: Cord Mount) INSTALLATION INSTRUCTIONS

CAUTION: BEFORE CONNECTING THE FIXTURE TO A POWER SUPPLY, MAKE SURE THE POWER IS SWITCHED OFF.

**SSL**  
solid state luminaires

t 800.900.1730  
3609 Swenson Ave. St. Charles, IL 60174

### GENERAL:

1. Fixture must be installed by licensed electrician.
2. All electrical connections must be in accordance with local codes, ordinances, or the National Electrical Code.
3. Before starting the installation, make sure all electricity has been turned off and electrical breaker has been locked out and tagged out.
4. To ensure the success of the installation, be sure to read these instructions and review the diagrams thoroughly before beginning.

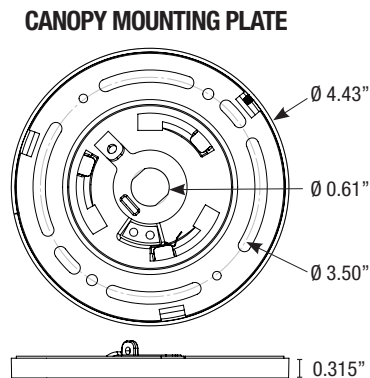
**NOTE:** The important safeguards and instructions appearing in this manual are not meant to cover all possible conditions and situations that may occur.

### INSTALLATION INSTRUCTIONS:

- 1) Thread wiring through Canopy center hole and Mounting Plate.
- 2) Determine cord length needed. Then, trim excess cord and make wiring connections at the J-Box. Be sure to follow all NEC and local codes for wiring.
- 3) Use J-Box Mounting Screws to fasten the Mounting Plate to the J-Box on the intended surface. It mounts to a standard sized octagonal J-Box (by others).
- 4) Open Cord Grip and fasten it around the cord. Snap Cord Grip shut and push it up into Canopy center hole until fully seated.
- 5) Push the Canopy up onto the Mounting Plate and twist, then tighten the Set Screw until fixture hangs freely. Coil any loose wiring into Canopy or J-Box as needed.
- 6) Restore power to circuit, then test fixture.

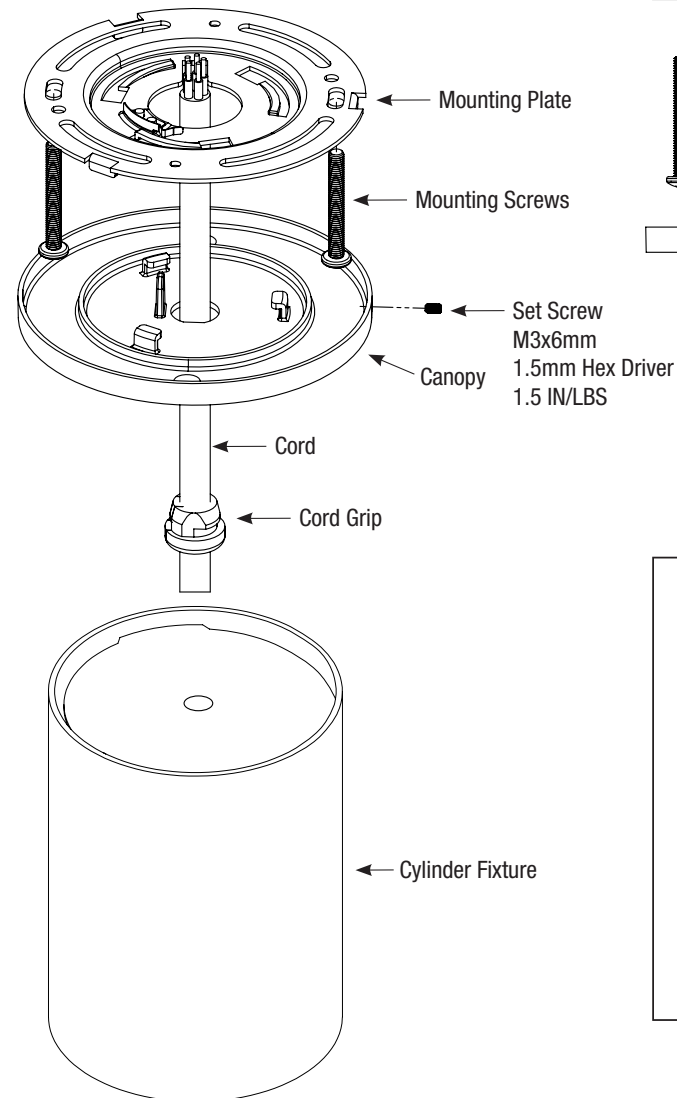
**NOTE:** LED lamping is integral and NOT intended for general servicing.

**IMPORTANT:** All FC|SSL products can be cleaned with non-abrasive and chemical free agents. Use a soft cloth with mild detergent on exterior only.

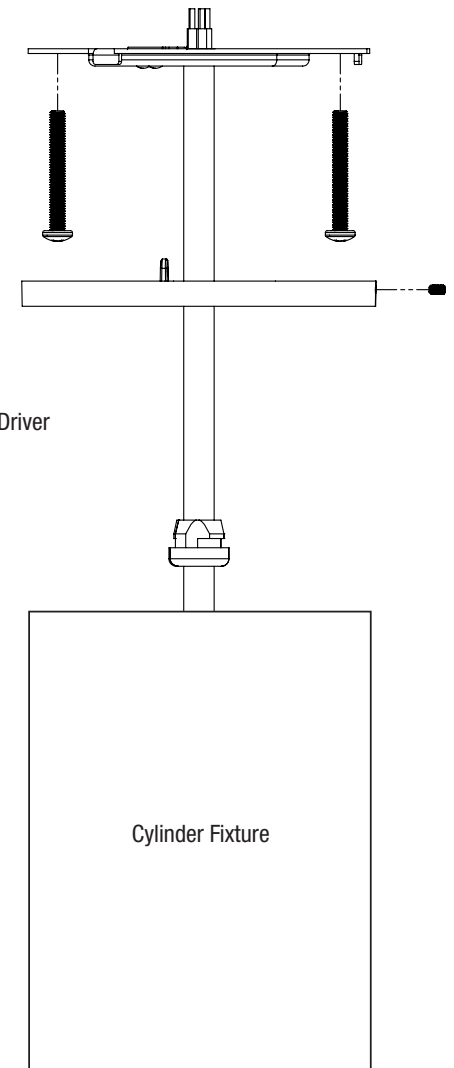


### DETAILED ILLUSTRATION

#### EXPLODED VIEW



#### SIDE VIEW



RG-DM-080723