

Date:	Approved:
Type:	
Fixture:	
Project:	

DIMO-10VELV

Dimming Module Converts
0-10V Signal to ELV Dimming
for Lighting Products



DIMO-10VELV is a dimming module that converts a 0-10V dimming signal to an ELV (electronic low-voltage) reverse phase dimming signal for ELV dimmable lighting products. It allows the use of standard 0-10V dimming control dimmers with ELV dimmable lighting products, and smoothly dims down to 1%. This module features a higher than standard Wattage rating at 800W @ 120V AC, 1800W @ 277V AC. Offered with three different connection options for simple installation. Lighting fixtures require one module per fixture run.



SPECIFICATIONS

PHYSICAL

housing	black anodized extruded aluminum housing, black powder coated endcaps and mounting brackets
dimensions	9.36"L x 3.73"W x 2.39"H
weight	< 2 lbs.
mounting	Wall & Ceiling Mount, and Conduit options, simple installation, direct J-box mount
impact rating	IK10
vibration	Wall & Ceiling Mount, and Conduit options

PERFORMANCE

power rating	800W @ 120V AC, 1800W @ 277V AC
max fixture run	maximum fixture run (per one DIMO-10VELV) is based on the total power consumption of the fixtures used
operating temperature	-4°F TO 104°F (-20°C to 40°C)
warranty	5-year limited warranty

ELECTRICAL

input voltage	Universal 120–277V AC standard, 50-60 Hz
power supply	integral to dimming module enclosure
certification	ETL, cETL
standards	UL-Class I
environment	dry, damp location
dimming	dimming control module: 0-10V to ELV Dimming Converter (1 module per fixture run)

Due to continuous development and improvements, specifications are subject to change without notice. Solid State Luminaires reserves the right to change lab test details or specifications without notice. Product use certifies agreement to Solid State Luminaires terms and conditions.

DIMO-10VELV

0-10V to ELV Dimming Module



Note: This module works with all ELV (electronic low-voltage) trailing edge dimmable products.

J-Box to J-Box Mount (12" lead wires)



PART NUMBER

DIMO-10VELV	UNV	OJBM	IJBM	BLA	
MODEL	VOLTAGE	OUTPUT	CONNECTIONS	INPUT	COLOR
DIMO-10VELV	0-10V - ELV Converter	UNV 120V-277V	OJBM Output Junction Box Mount (12" lead wire)	IJBM Input Junction Box Mount (12" lead wire)	BLA Black Anodized Alum.

Conduit to Conduit Mount (96" lead wires)



PART NUMBER

DIMO-10VELV	UNV	OCPM	ICPM	BLA	
MODEL	VOLTAGE	OUTPUT	CONNECTIONS	INPUT	COLOR
DIMO-10VELV	0-10V - ELV Converter	UNV 120V-277V	OCPM Output Conduit Pipe Mount (96" lead wire)	ICPM Input Conduit Pipe Mount (96" lead wire)	BLA Black Anodized Alum.

6" Starter Cord to J-Box Mount (12" lead wires)



PART NUMBER

DIMO-10VELV	UNV	OSCM	IJBM	BLA	
MODEL	VOLTAGE	OUTPUT	CONNECTIONS	INPUT	COLOR
DIMO-10VELV	0-10V - ELV Converter	UNV 120V-277V	OSCM Output Starter Cord Mount (6" lead wire)	IJBM Input Junction Box Mount (6" lead wire)	BLA Black Anodized Alum.

6" Starter Cord connector, with 3-position connection, connects directly to these Linear Indoor fixtures:

- eCoveLine (ECVL)
- eCoveLine XL (ECVLX)
- CoveLine (CVL)
- CoveLine XL (CVLX)
- eCoveLine XL Color (ECVLX)
- CoveLine Color (CVL)
- CoveLine XL Color (CVLX)
- Mini CoveLine (MC)

Due to continuous development and improvements, specifications are subject to change without notice. Solid State Luminaires reserves the right to change lab test details or specifications without notice. Product use certifies agreement to Solid State Luminaires terms and conditions.

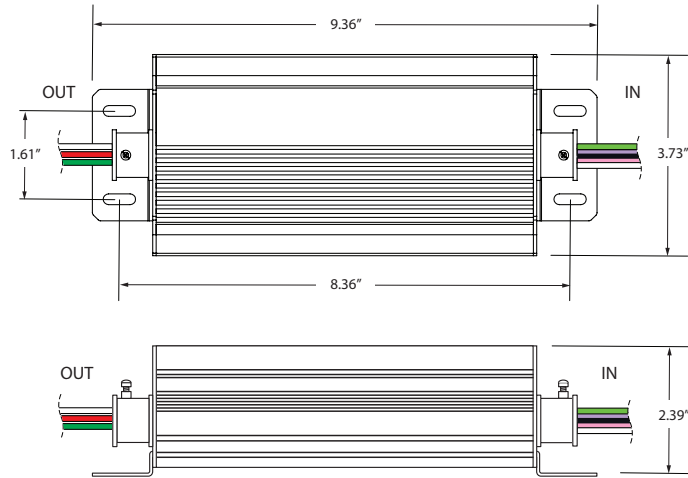
 US Commercial Lighting Manufacturer Since 1982

Specification Sheet

© Solid State Luminaires 3609 swenson ave • st. charles il • 60174 | solidstateluminaires.com | 800.900.1730

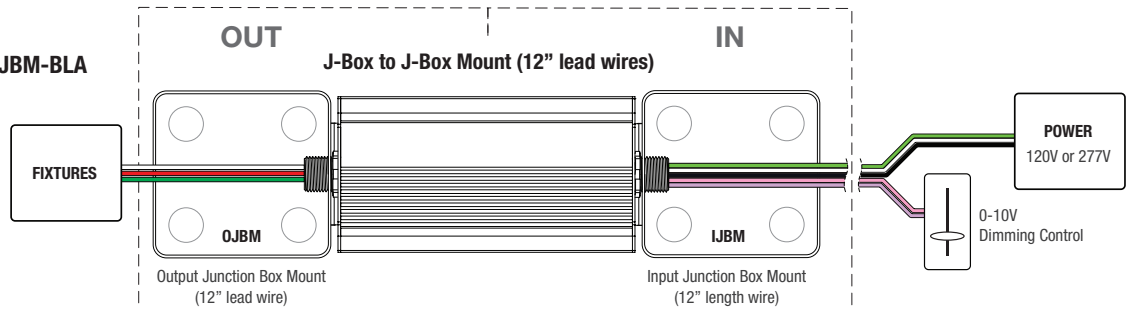
AG-JF-051221

OVERALL DIMENSIONS

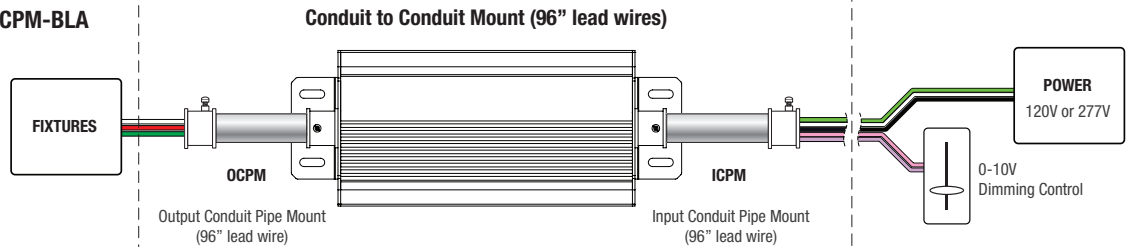


CONNECTIVITY

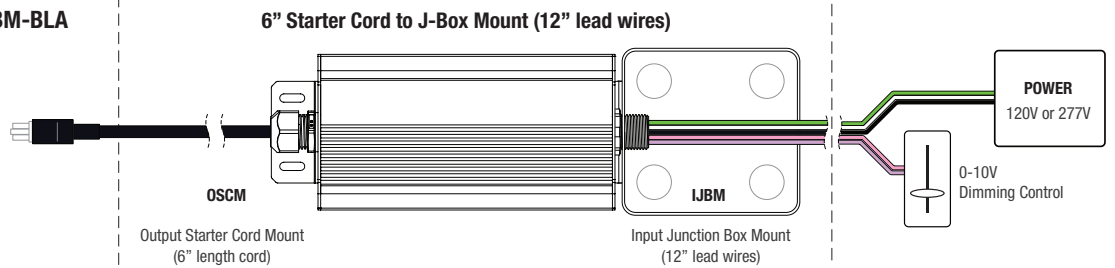
DIM0-10VELV-UNV-OJBM-IJBM-BLA



DIM0-10VELV-UNV-OCPM-ICPM-BLA



DIM0-10VELV-UNV-OSCM-IJBM-BLA

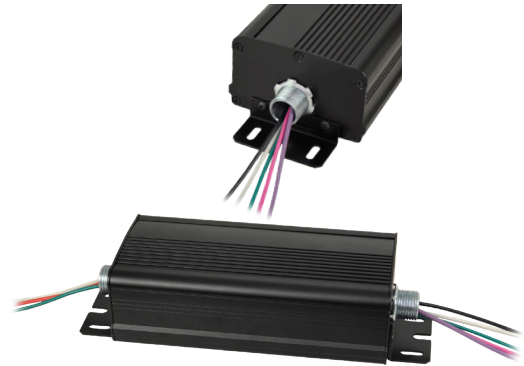
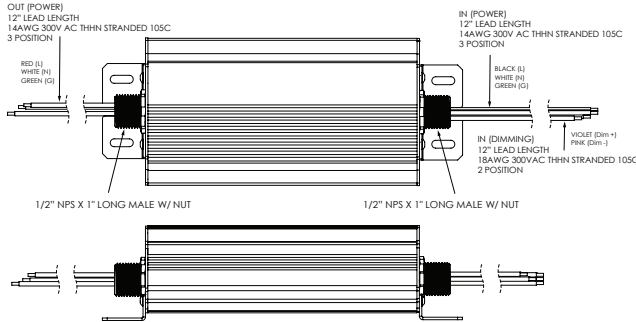


Due to continuous development and improvements, specifications are subject to change without notice. Solid State Luminaires reserves the right to change lab test details or specifications without notice. Product use certifies agreement to Solid State Luminaires terms and conditions.

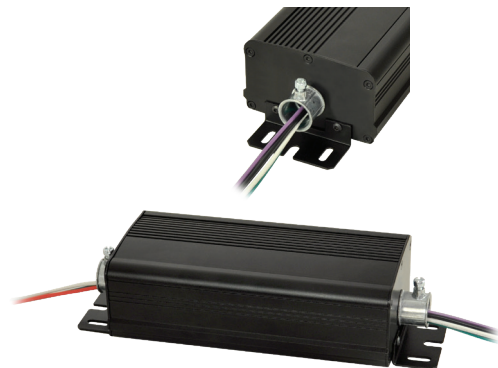
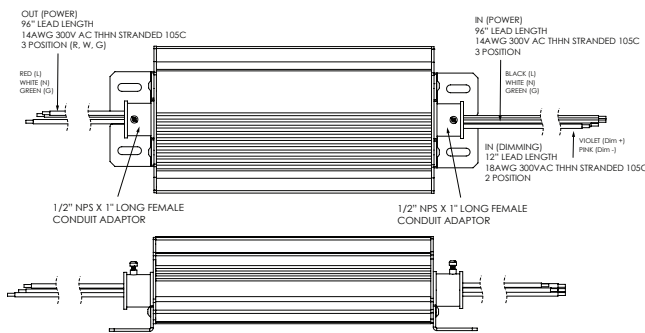
CONNECTIVITY

Maximum Fixture Run = maximum fixture run per unit is based on the power consumption of the fixtures used. **800W @ 120V AC, 1800W @ 277V AC**

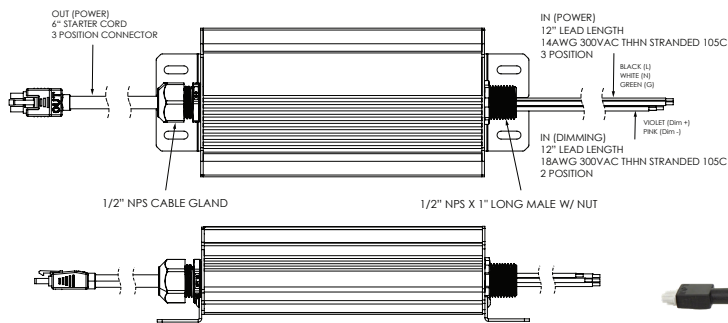
J-Box to J-Box Mount (12" lead wires)



Conduit to Conduit Mount (96" lead wires)



6" Starter Cord to J-Box Mount (12" lead wires)



Due to continuous development and improvements, specifications are subject to change without notice. Solid State Luminaires reserves the right to change lab test details or specifications without notice. Product use certifies agreement to Solid State Luminaires terms and conditions.