

Date:	Approved:
Type:	
Luminaire:	
Project:	

eCOVELINE XL WET 1.5



The **eCOVELINE XL WET 1.5** luminaire is highly suitable for both indoor and outdoor applications. Available in lengths of 1, 4, or 6-foot, and color temperatures of 2700K, 3000K, 3500K, 4000K, 5000K, Amber, Blue, Light Blue, or Red, with either 30° x 80° or 120° beam angles.

With a durable extruded aluminum body and precision-tooled end caps, this luminaire boasts an IP66 rating, plug-and-play connectors, and flicker-free dimming down to 5% of full brightness using ELV trailing edge dimming technology.

The **eCOVELINE XL WET 1.5** features a universal orientation mounting design, allowing for flexible positioning — upwards, downwards, horizontally, or vertically. Compliant with Chicago Code regulations, the **eCOVELINE XL WET 1.5** is a versatile linear luminaire designed to meet your specific needs.

SPECIFICATIONS

PHYSICAL

beam spread	30° x 80°, 120°
dimensions	1 ft: 12.25" x 1.77" x 1.9", 4 ft: 47" x 1.77" x 1.9", 6 ft: 70.25" x 1.77" x 1.9"
weight	1 ft: 1.3 lbs
housing	Extruded aluminum housing with moulded end caps
lens	Clear, tempered glass with a frosted edge
mounting	Standard: surface mount bracket with (+/- 45° from center), Optional: ADBW2-90 full 180° rotation (+/- 90° from center)
ingress protection	IP66 rated for wet, exterior location
vibration resistance	Compliant with 3G ANSI C136.31
luminaire connections	Twist-lock integrated end-to-end connectors

PERFORMANCE

color temperature	2700K, 3000K, 3500K, 4000K, 5000K
lumen output (per foot)	Up to 454 lm
lumen maintenance	L70 > 70,000 hours
color consistency	3 SDCM / Standard: 80 CRI, Optional: 90 CRI
operating temperature	-40°F to 104°F (-40°C to 40°C)
warranty	5-Year limited warranty

ELECTRICAL

input voltage	Universal 120 - 277 VAC
power supply	Integral Class II, electronic high-power factor > 94% @ 120V
certification	ETL / cETL listed
standards	UL1598/CSA C22.2 No. 250.0; IESLM-79/LM-80; FCC Part 15
power consumption	5W/ft @ 120V
dimming	ELV (reverse phase/trailing edge) ≤ 5%



eCOVELINE XL WET 1.5



Ordering Information

ORDERING INFORMATION

ECVLXWET1.5							
MODEL	LENGTH	CCT		CRI	OPTICS	OPTIONS	
ECVLXWET1.5 eCOVELINE XL WET 1.5	1 12 in. (305 mm)	WHITE LIGHT		MONO COLOR	CRI80 80 CRI	3080 30°x80° beam	WCL-1 Louver (Black) - 1 ft.
	4 46.8 in. (1189 mm)	27K 2700K	AMB Amber	CRI90 90 CRI	120 120° beam	WCL-4 Louver (Black) - 4 ft.	
	6 70 in. (1778 mm)	3K 3000K	BLU Blue	WCL-6 Louver (Black) - 6 ft.			
		35K 3500K	LTBLU Light Blue	WCHS-1 Louver w/House Shield (Black) - 1 ft.			
		4K 4000K	RED Red	WCHS-4 Louver w/House Shield (Black) - 4 ft.			
		5K 5000K	WCHS-6 Louver w/House Shield (Black) - 6 ft.				

Accessories (Indicate the quantity needed for each item.) **REQUIRED:** Starter Cable (SC10W) and Terminator Cap (TCAPW) for every run. **Maximum Run Length** = 100 feet (120V)

- _____ **SC10W** 10 ft. Starter Connection Cable
- _____ **EC12W** 12 in. Extension Cable
- _____ **TCAPW** Terminator Cap
- _____ **EC24W** 24 in. Extension Cable
- _____ **EC60W** 60 in. Extension Cable

Mounting Options (ADBW2 Included With Luminaire) (requirements vary for each luminaire ordered - see mounting pages for details)

- _____ **ADBW2-90** 90° Adjustable Bracket (Bi-directional)
- _____ **CA2-6** Cantilever Arm - 6"
- _____ **LS-6** Landscape Spike - 6"
- _____ **CA2-12** Cantilever Arm - 12"
- _____ **HLS** Heavy Duty Landscape Spike
- _____ **CA2-18** Cantilever Arm - 18"

Control Components (Indicate the quantity needed for each item.) (1 module per run) (Indoor rated)

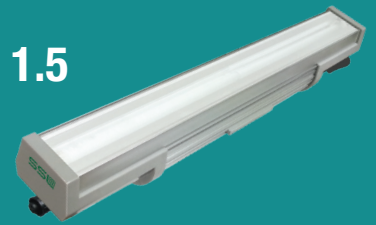
REQUIRED: Starter Cable (SC6) and Terminator Cap (TCAP) for every run.

- _____ **DIMO-10VELV-UNV-OJBM-IJBM-BLA** 0-10V ELV Dim Module, Output Junction Box Mount (12" lead wire), Input Junction Box Mount (12" lead wire), Interior Rated Enclosure, Black Anodized Alum.
- _____ **DIMO-10VELV-UNV-OCPM-ICPM-BLA** 0-10V ELV Dim Module, Output Conduit Pipe Mount (96" lead wire), Input Conduit Pipe Mount (96" lead wire), Interior Rated Enclosure, Black Anodized Alum.

Optional:

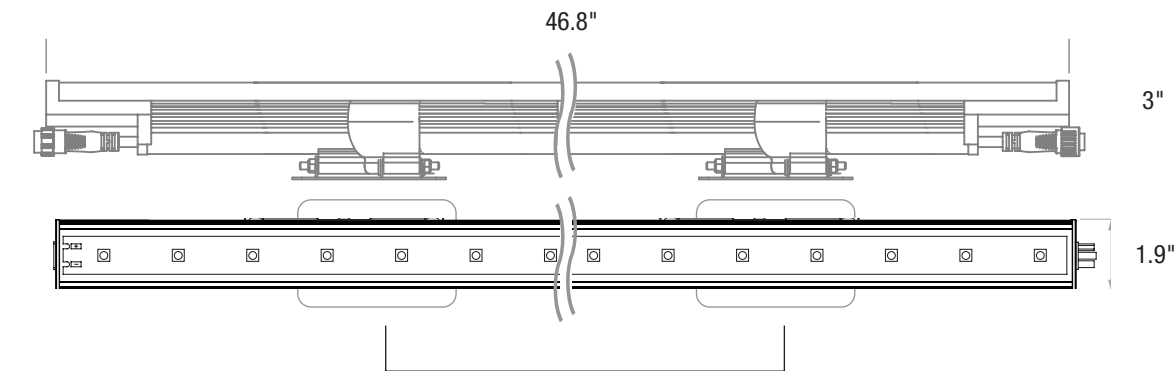
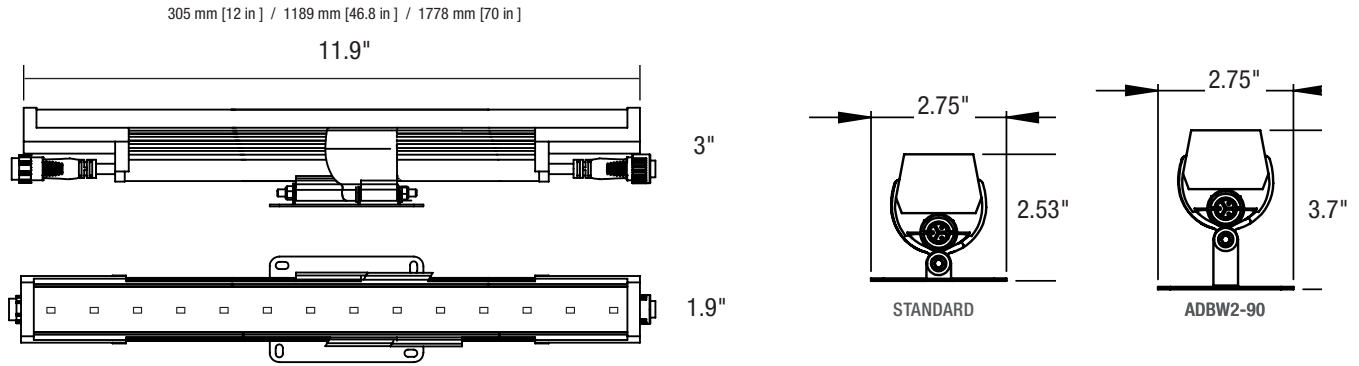
Use Module Only to Convert 0-10V Signal to ELV Dimming

DIMO-10VELV is a dimming module that dims ELV Only Luminaires with 0-10V.

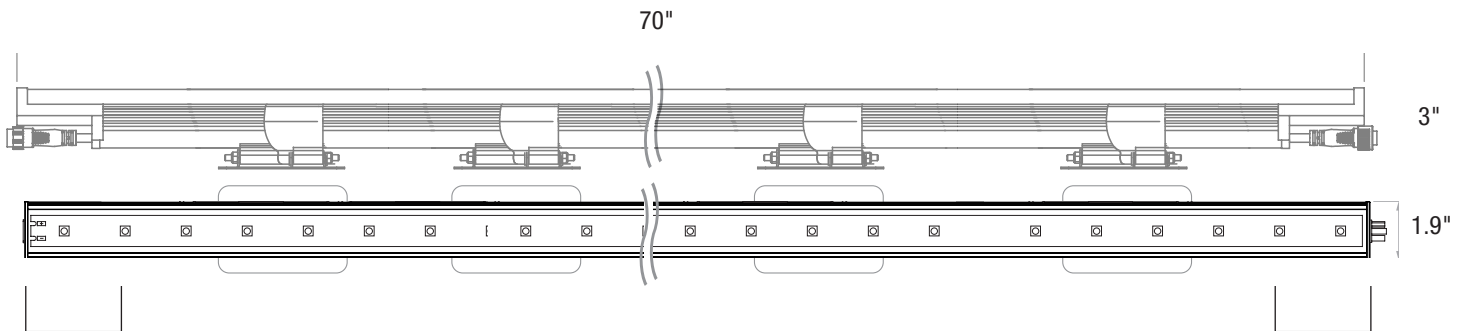


Standard Dimensions

DIMENSIONS WITH STANDARD BRACKET

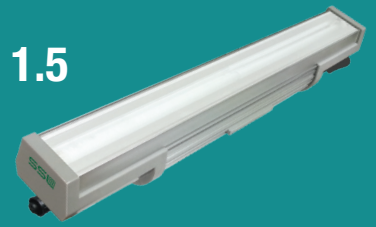


Optimal spacing for bracket installation is 16" apart.



TO PREVENT VOIDING THE WARRANTY, DO NOT INSTALL BRACKETS WITHIN 2" OF THE ENDS OF LUMINAIRE.

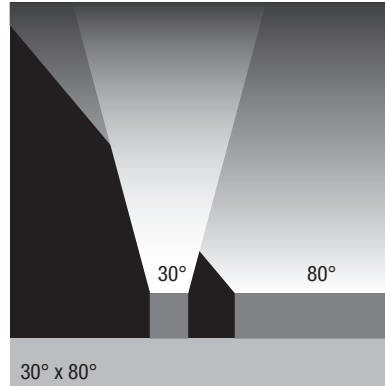
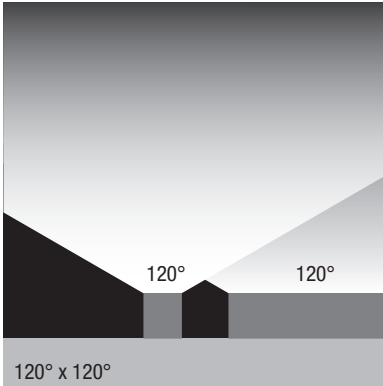
eCOVELINE XL WET 1.5



Photometry

eCVLX WET AVAILABLE OPTICS

FIND IES FILES ON SOLIDSTATELUMINAIRES.COM



PERFORMANCE

DIMMING

Model	Optics / Attachments	Lumens	Wattage	LPW
ECVLXWET1.5-1-4K-CR180-3080	30°X80°	233	5	47
ECVLXWET1.5-1-4K-CR190-3080	30°X80°	115	5	24
ECVLXWET1.5-1-4K-CR180-120	120°	454	5	91
ECVLXWET1.5-1-4K-CR190-120	120°	224	5	48
ECVLXWET1.5-4-4K-CR180-3080	30°X80°	1372	19	72
ECVLXWET1.5-4-4K-CR190-3080	30°X80°	675	18	38
ECVLXWET1.5-4-4K-CR180-120	120°	2188	19	116
ECVLXWET1.5-4-4K-CR190-120	120°	1077	18	61
ECVLXWET1.5-6-4K-CR180-3080	30°X80°	2131	29	75
ECVLXWET1.5-6-4K-CR190-3080	30°X80°	1049	27	39
ECVLXWET1.5-6-4K-CR180-120	120°	3344	29	117
ECVLXWET1.5-6-4K-CR190-120	120°	1646	27	63

TRIAC, REVERSE PHASE DIMMING

Model	Description
DELV	Lutron Diva Dimmer 300P
SELV	Lutron Skylark Dimmer 153P
SCL	Lutron Skylark Dimmer 300P

*Dimmers are sold by others.
FC|SSL does not recommend dimmers that have not been tested.*

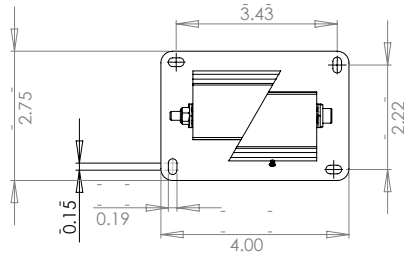
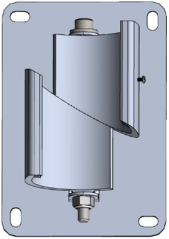


Mounting Options

STANDARD ADJUSTABLE BRACKET REQUIREMENTS

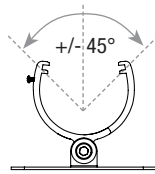
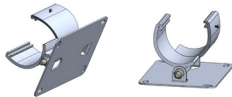
Minimum Bracket Requirement			
ECVLXWet-1	1	ECVLXWet-4	2
		ECVLXWet-6	3

STANDARD ADJUSTABLE BRACKET (ADBW2)



Universal Orientation

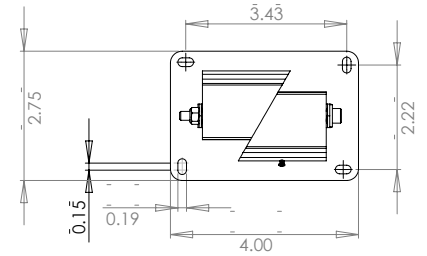
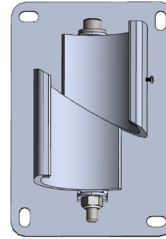
- Mounts to horizontal or vertical surfaces
- Easy installation w/luminaire in position
- +/- 45° to surface



90° ADJUSTABLE BRACKET REQUIREMENTS

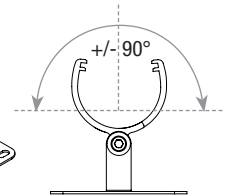
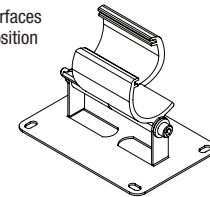
Minimum Bracket Requirement			
ECVLXWet-1	1	ECVLXWet-4	2
		ECVLXWet-6	3

90° ADJUSTABLE BRACKET (ADBW2-90)



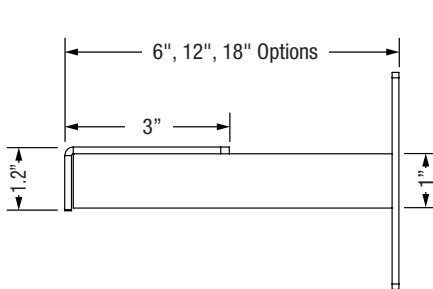
Universal Orientation

- Mounts to horizontal or vertical surfaces
- Easy installation w/luminaire in position
- +/- 90° to surface

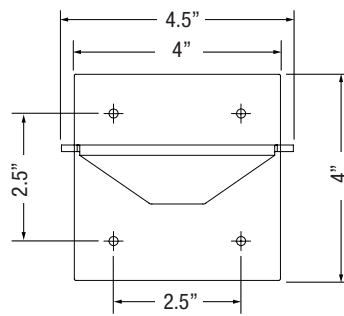


CANTILEVER ARM (CA2)

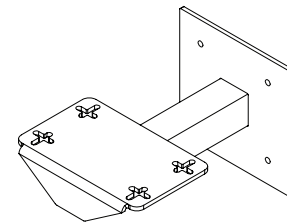
CA2	arm length	Luminaire	CA2 Requirement
CA2-6	6"	1-foot	1
CA2-12	12"	4-foot	2
CA2-18	18"	6-foot	3



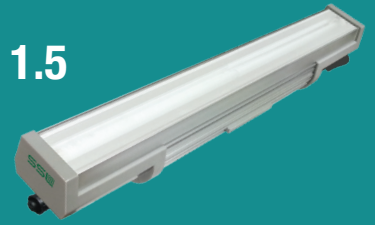
SIDE VIEW



FRONT VIEW

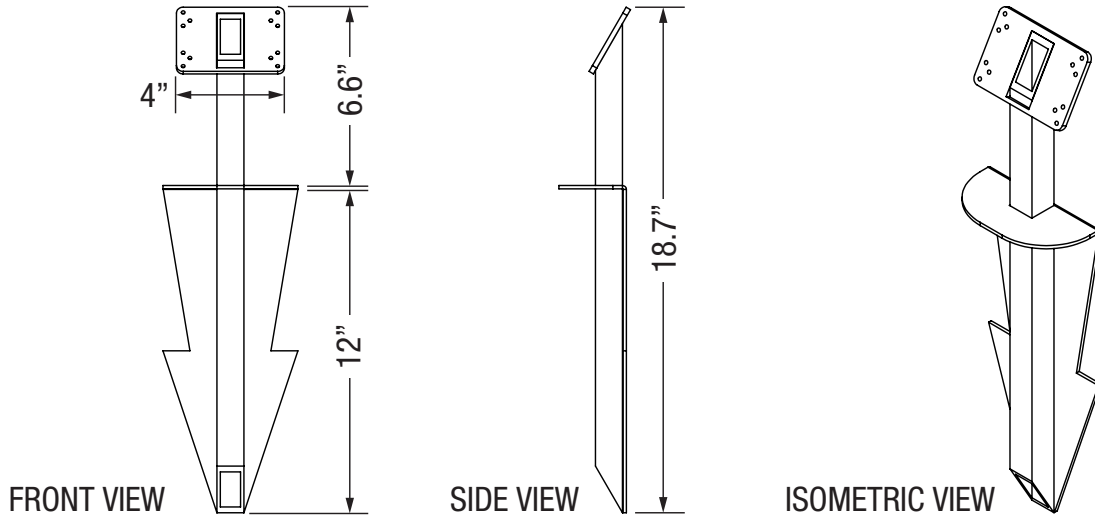


ISOMETRIC VIEW

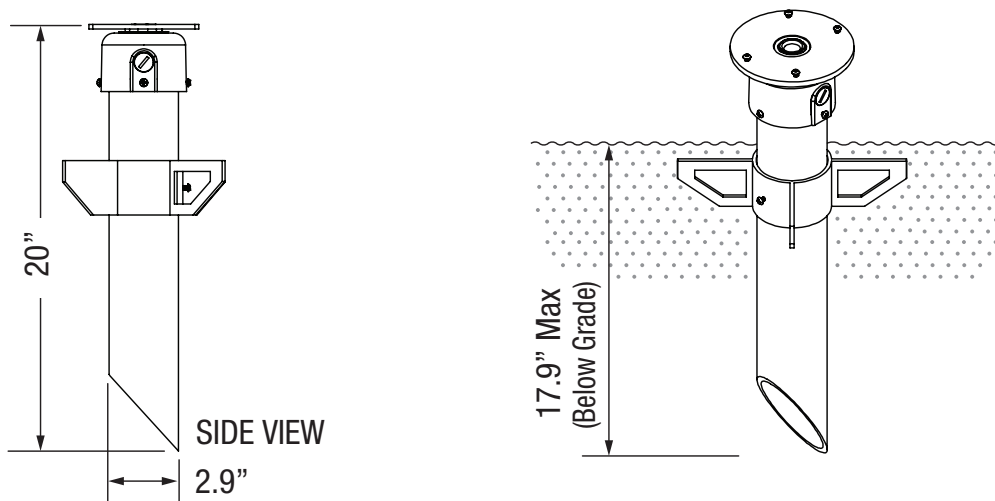


Mounting Option Accessories

LANDSCAPE SPIKE - LS-6



HEAVE DUTY LANDSCAPE SPIKE - HLS

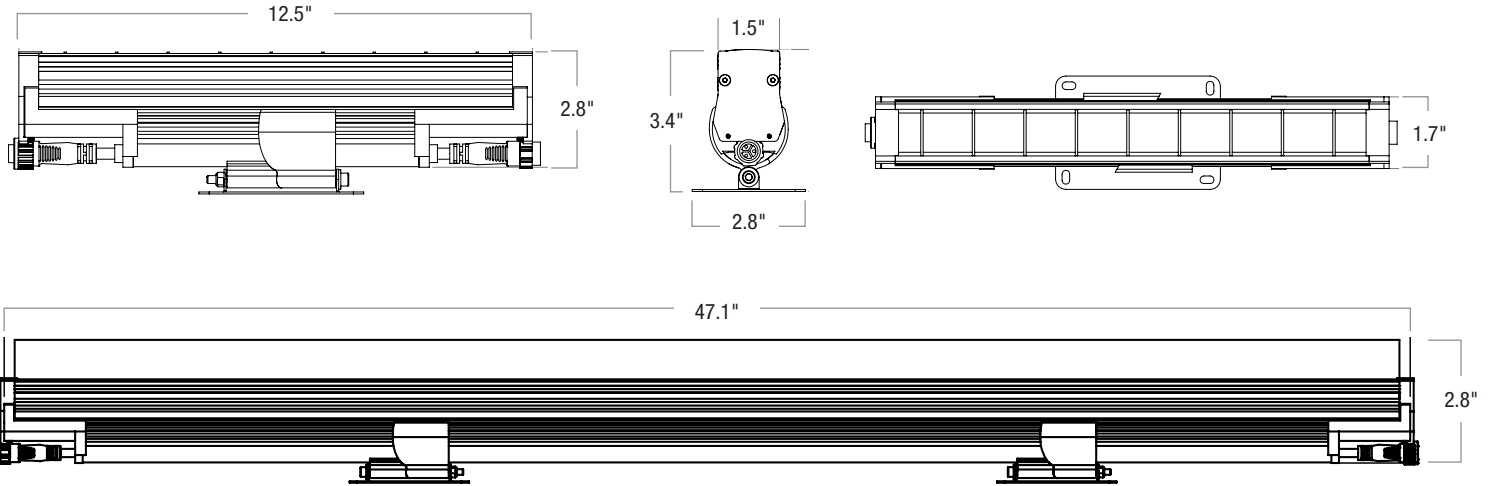


eCOVELINE XL WET 1.5

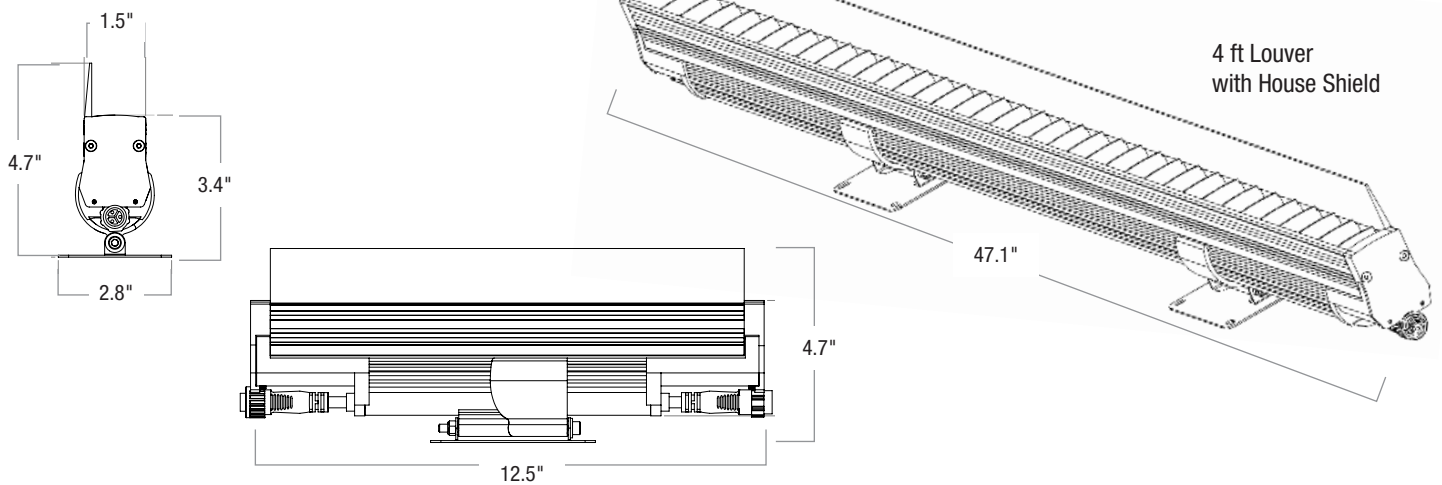


Accessories

LOUVER - WCL		1FT	4FT
louver height	.25"	12.5"	47.1"
overall height w/bracket	3.4"	1.5"	1.5"



HOUSE SHIELD - WCHS		1FT	4FT
shield height	1.3"	12.5"	47.1"
overall height w/bracket	4.7"	1.5"	1.5"

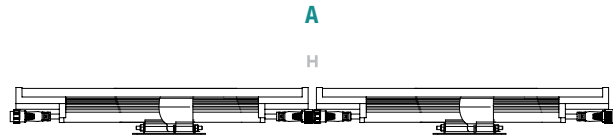


Due to continuous development and improvements, specifications are subject to change without notice. Product use certifies agreement to Solid State Luminaires terms and conditions.



Connectivity Options

CONNECTIONS & CABLES



Daisy Chain Luminaires (1')

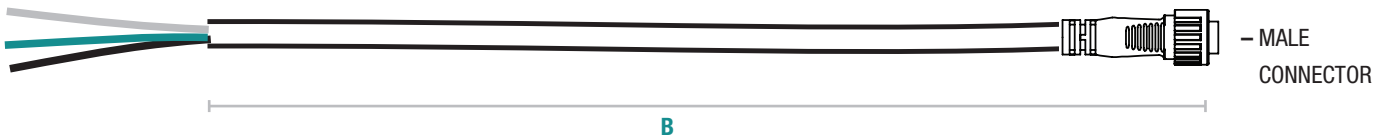
- A:** MIN/0" - MAX/.38" between luminaires
- B:** SC10W - 10ft Starter Cable
- C:** EC12W 12 in. Extension Cable
- C:** EC24W 24 in. Extension Cable
- C:** EC60W 60 in. Extension Cable
- D:** TCAPW 1.13" Terminator Cable

Daisy Chain Luminaires (4') & Daisy Chain Luminaires (6')



B: STARTER CABLES

INSURE FIRST LUMINAIRE IS ORIENTED TO ACCEPT MALE CONNECTOR STARTER CABLE



C: EXTENSION CABLES



D: TERMINATOR CAP TCAP



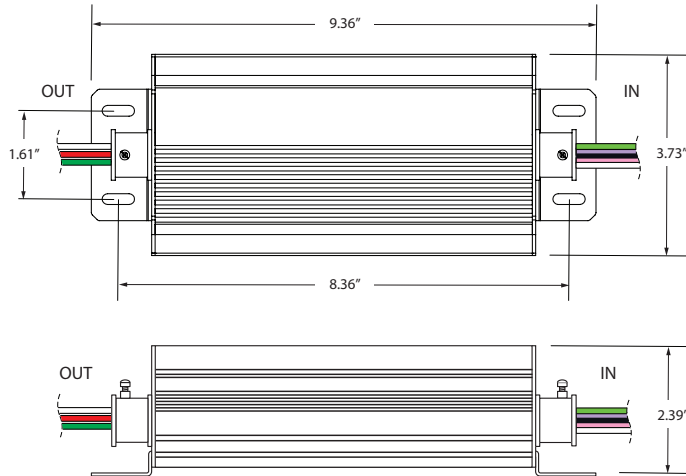


Control Components

CONTROL OVERALL DIMENSIONS (DIMO-10VELV) ALL VERSIONS

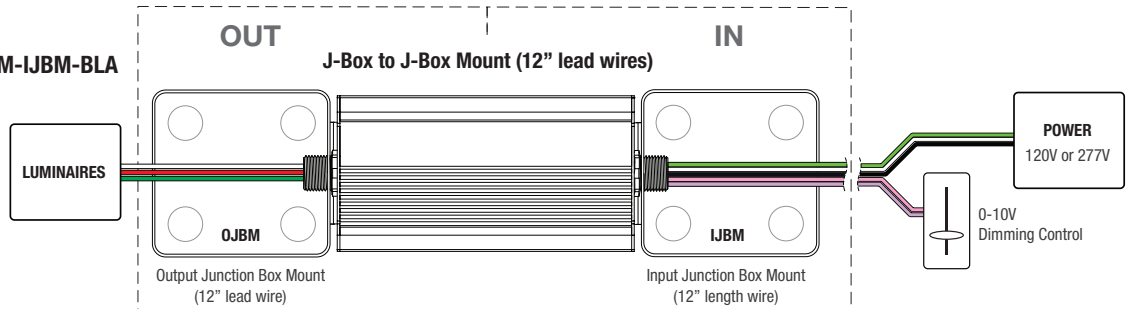
Use Module Only to Convert 0-10V Signal to ELV Dimming

Converts 0-10V signal for ELV Dimming protocol.



CONTROL CONNECTIVITY (DIMO-10VELV) EACH VERSION

DIMO-10VELV-UNV-OJBM-IJBM-BLA



DIMO-10VELV-UNV-OCPM-ICPM-BLA

