

Type:

Fixture:

Project:

Approved:

ECVLX Color eCoveLine XL



ECVLX Color CoveLine is a low profile LED cove luminaire with 10 static color LED options, Pink, Violet, Light Blue, Spring Green, Yellow, Golden Yellow, Amber, Red, Green & Blue. ECVLX Color CoveLine available in 1 ft, 2 ft, or 4 ft nominal lengths. The housing is constructed of extruded aluminum with tooled end caps and IP20 rated for interior use only. Features Plug N' Play connectors and other accessories for easy installation. Flicker free dimming to 3% brightness ELV trailing edge.



SPECIFICATION

| static colors | PINK | VIOLET | LIGHT BLUE | SPRING GREEN | YELLOW | GOLDEN YELLOW | AMBER | RED | GREEN | BLUE |
|--------------------------|---|------------|-----------------------|--------------|------------|---------------|------------|------------|------------|------------|
| lumen output | 280 / foot | 280 / foot | 616 / foot | 840 / foot | 308 / foot | 728 / foot | 336 / foot | 154 / foot | 182 / foot | 420 / foot |
| beam spread | 60° - 120° | | | | | | | | | |
| LEDs per foot | 14 | | | | | | | | | |
| color consistency | 3 SDCM / 84CRI | | | | | | | | | |
| lifetime | > 70,000 hours / L70 or better | | | | | | | | | |
| input voltage | Universal 120–277V AC | | | | | | | | | |
| power consumption | 6.1 W | | | | | | | | | |
| dimensions [L x W x H] | 12" x 1.65" x 1.75" | | 46.8" x 1.65" x 1.75" | | | | | | | |
| weight | 1 lbs. per foot | | | | | | | | | |
| housing | extruded aluminum housing with tooled end caps | | | | | | | | | |
| lens | etched polycarbonate | | | | | | | | | |
| mounting | surface mounting with (+/- 15°) adjustable brackets (ADB2 option +/- 90°) | | | | | | | | | |
| operating temperature | -10°C to 40°C | | | | | | | | | |
| junction temperature | 60°C @ T ^a 25°C | | | | | | | | | |
| interface | dimnable to 3% full brightness, (ELV) electronic low-voltage trailing edge, synchronized w/ soft shut-off | | | | | | | | | |
| power supply | integral Class II, electronic high-power factor 94% | | | | | | | | | |
| certification | ETL / cETL or CE | | | | | | | | | |
| standards | UL-Class I / IES LM-79 / LM-80 | | | | | | | | | |
| environment | dry, interior location / IP 20 | | | | | | | | | |
| warranty | 5-Year limited warranty (refer to website for details) | | | | | | | | | |

Ordering Information

PART NUMBERS

| ECVLX | | | | | | | |
|--------------------|--------|----------------------|-----------|---------|------------------|--|-----------------|
| MODEL | LENGTH | COLOR | OPTICS | OPTIONS | | | |
| ECVLX eCOVELINE XL | 1 | 305 mm [12 in.] | PK PINK | 60 | 60° x 100° beam | | BL Black Louvre |
| | 4 | 1219 mm [46.8 in.] | VL VIOLET | 120 | 120° x 120° beam | | |
| | | LB LIGHT BLUE | | | | | |
| | | SG SPRING GREEN | | | | | |
| | | YW YELLOW | | | | | |
| | | GY GOLDEN YELLOW | | | | | |
| | | AM AMBER | | | | | |
| | | RD RED | | | | | |
| | | GR GREEN | | | | | |
| | | BL BLUE | | | | | |

Cable Accessories (Indicate the quantity needed next to each item.)

REQUIRED: Starter Cable (SC6) and Terminator Cap (TCAP) for every run. **Maximum Run Length** = 100 feet

- | | |
|--|---|
| _____ SC6 6 ft. Starter Connection Cord | _____ EC06 6 in. Extension Cord |
| _____ TCAP Terminator Cap | _____ EC12 12 in. Extension Cord |
| | _____ EC24 24 in. Extension Cord |
| | _____ EC60 60 in. Extension Cord |

Mounting Options (Indicate the quantity needed for each item.)

- | | | | |
|---|--|--|--|
| _____ ADB2 180° Adjustable Bracket | _____ CA2-6 Cantilever Arm - 6" | _____ CA2-12 Cantilever Arm - 12" | _____ CA2-18 Cantilever Arm - 18" |
|---|--|--|--|

Use Module Only to Convert 0-10V Signal to ELV Dimming

DIM0-10VELV is a dimming module that converts a 0-10V dimming signal to an ELV (electronic low-voltage) reverse phase dimming signal for ELV dimmable lighting products.

Control Components (Indicate the quantity needed for each item.) (1 module per run) (Indoor rated)

REQUIRED: Starter Cable (SC6) and Terminator Cap (TCAP) for every run.

- | |
|--|
| _____ DIM0-10VELV-UNV-OJBM-IJBM-BLA 0-10V ELV Dim Module, Output Junction Box Mount (12" lead wire), Input Junction Box Mount (12" lead wire), Interior Rated Enclosure, Black Anodized Alum. |
| _____ DIM0-10VELV-UNV-OCPM-ICPM-BLA 0-10V ELV Dim Module, Output Conduit Pipe Mount (96" lead wire), Input Conduit Pipe Mount (96" lead wire), Interior Rated Enclosure, Black Anodized Alum. |

REQUIRED: Extension Cord (ECXX) XX=06, 12, 24, or 60 Inch Lengths (Pick Length to use based on 1st fixture to DIM0-10VELV unit distance) and Terminator Cap (TCAP) for every run.

- | |
|--|
| _____ DIM0-10VELV-UNV-OSCM-IJBM-BLA 0-10V ELV Dim Module, Output Starter Cord Mount (6" lead wire), Input Junction Box Mount (6" lead wire), Interior Rated Enclosure, Black Anodized Alum. |
|--|



US Commercial Lighting Manufacturer Since 1982

Due to continuous development and improvements, specifications are subject to change without notice. Solid State Luminaires reserves the right to change lab test details or specifications without notice. Product use certifies agreement to Solid State Luminaires terms and conditions.

Photometry

ECVLX Color eCoveLine XL



COLORS

ECVLX-PK (PINK)



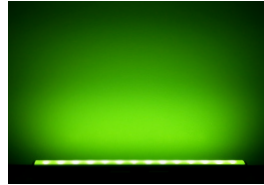
ECVLX-VL (VIOLET)



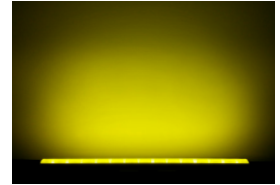
ECVLX-LB (LIGHT BLUE)



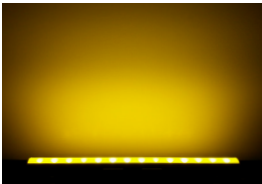
ECVLX-SG (SPRING GREEN)



ECVLX-YW (YELLOW)



ECVLX-GY (GOLDEN YELLOW)



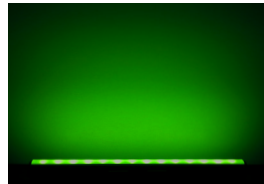
ECVLX-AM (AMBER)



ECVLX-RD (RED)



ECVLX-GR (GREEN)



ECVLX-BL (BLUE)

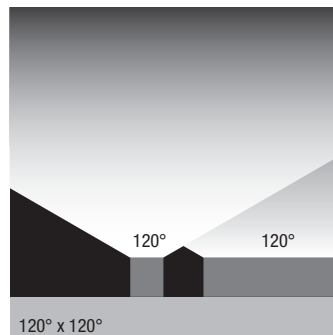
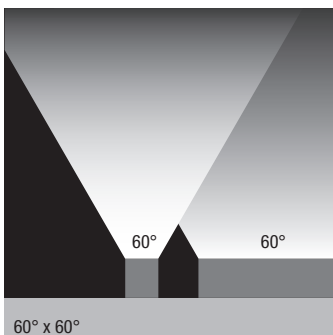


PERFORMANCE

| Model | Connected Wattage | Delivered Lumens | | | | | | | | | |
|---------|-------------------|------------------|--------|------------|--------------|--------|---------------|-------|-----|-------|------|
| | | PINK | VIOLET | LIGHT BLUE | SPRING GREEN | YELLOW | GOLDEN YELLOW | AMBER | RED | GREEN | BLUE |
| ECVLX-1 | 6.1 | 280 | 280 | 616 | 840 | 308 | 728 | 336 | 154 | 182 | 420 |
| ECVLX-4 | 24.4 | 1120 | 1120 | 2464 | 3360 | 1232 | 2912 | 1344 | 616 | 728 | 1680 |

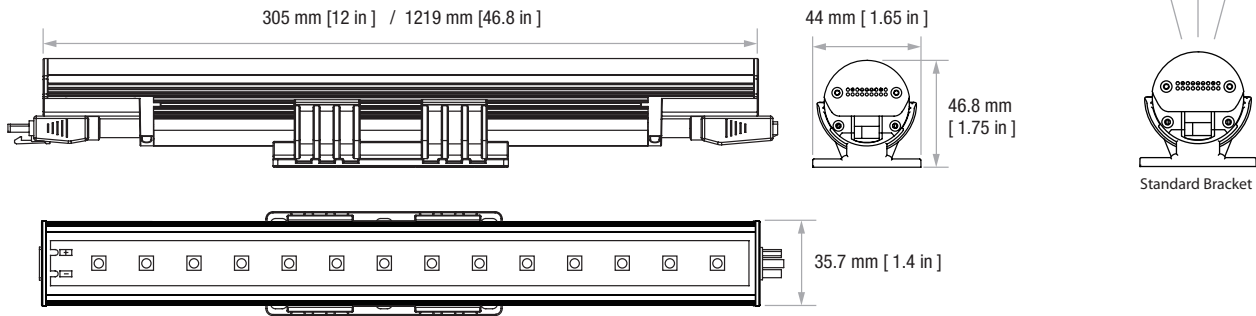
CVLX AVAILABLE OPTICS

FIND IES FILES ON SOLIDSTATELUMINAIRES.COM

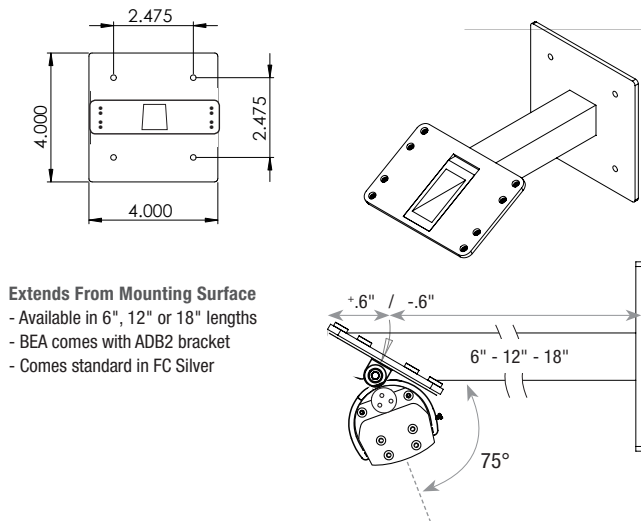




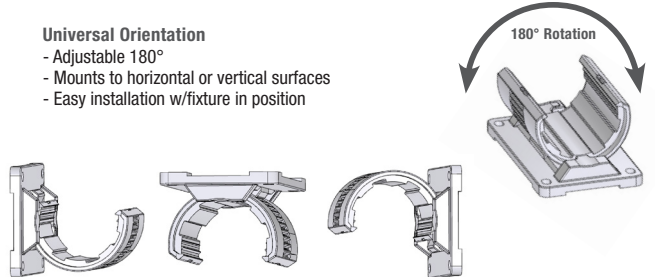
Dimensions & Accessories



BRACKET EXTENSION ARM (BEA-G2)



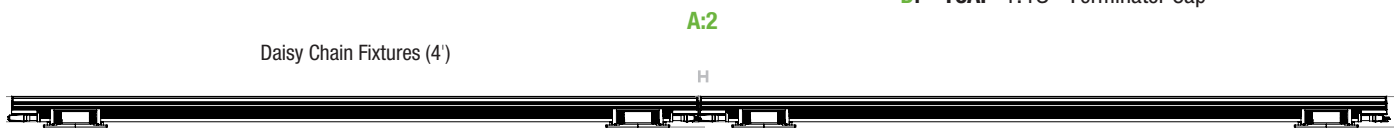
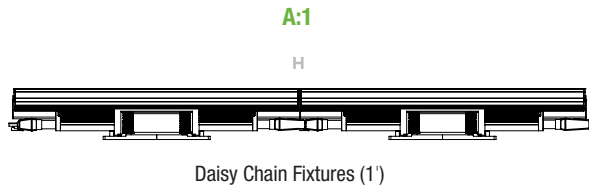
ADJUSTABLE BRACKET (ADB2)





Dimensions & Accessories

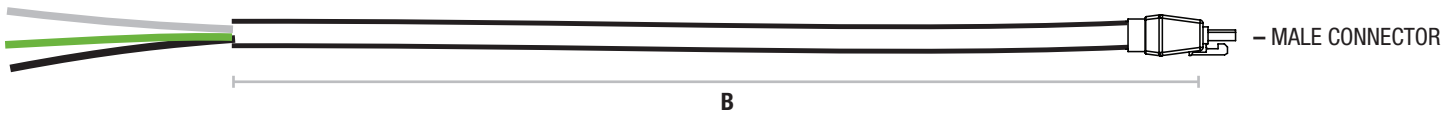
CONNECTIONS & CABLES



- A1:** MIN/.5" - MAX/.8" between fixtures
- A4:** MIN/0" - MAX/.6" between fixtures
- B:** **SC6** - 6ft Starter Cord
- C:** **EC6** 6 in. Extension Cord
- C:** **EC12** 12 in. Extension Cord
- C:** **EC24** 24 in. Extension Cord
- C:** **EC60** 60 in. Extension Cord
- D:** **TCAP** 1.13" Terminator Cap

B: STARTER CABLES

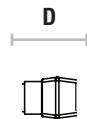
INSURE FIRST FIXTURE IS ORIENTED TO ACCEPT MALE CONNECTOR STARTER CABLE



C: EXTENSION CABLES

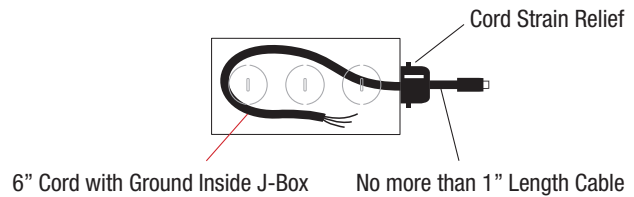


D: TERMINATOR CAP TCAP



ECVLX features Chicago Code Compliant (CCC) connectors. See below for Starter Connection Cord (SC6) setup details.

Steel Junction Box Wiring for Sarter Connection Cord (SC6)

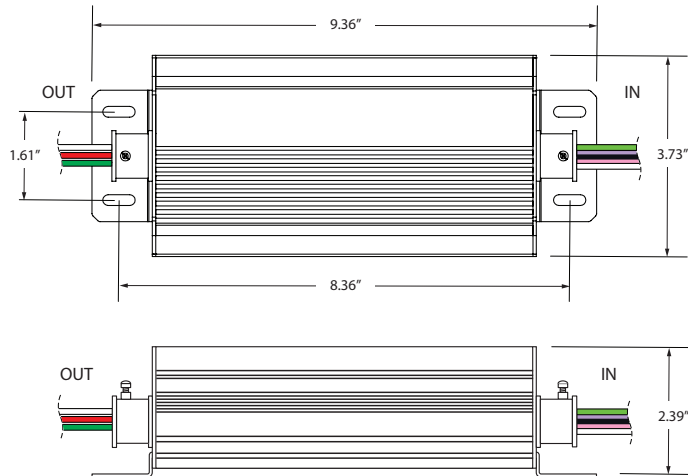


Control Components

OVERALL DIMENSIONS (DIMO-10VELV)

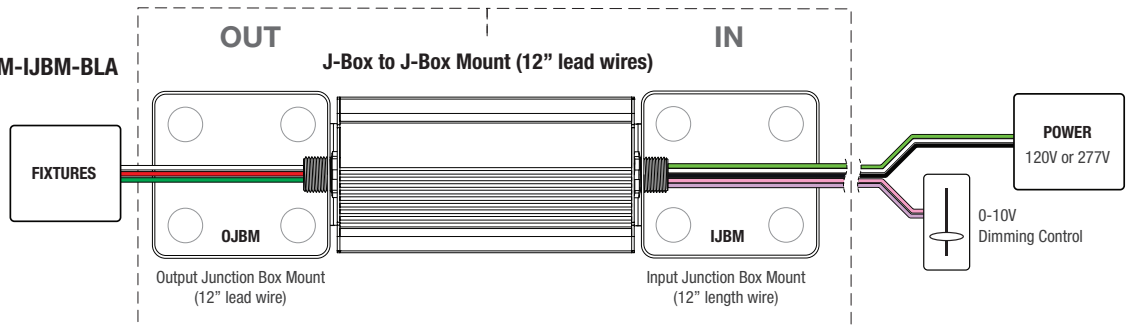
Use Module Only to Convert 0-10V Signal to ELV Dimming

Converts 0-10V signal for ELV Dimming protocol.

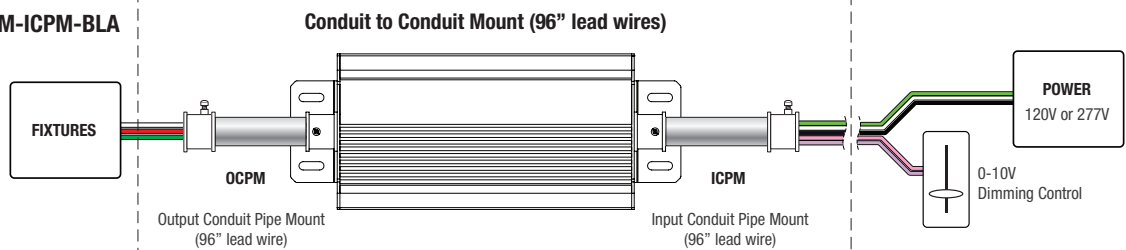


CONNECTIVITY TYPES (DIMO-10VELV)

DIMO-10VELV-UNV-OJBM-IJBM-BLA



DIMO-10VELV-UNV-OCPM-ICPM-BLA



DIMO-10VELV-UNV-OSCM-IJBM-BLA

