

Lazer



1 Module (1M)
(36 LEDs)

Date:	Approved:
Type:	
Fixture:	
Project:	

Lazer is a powerful white CCT luminaires that delivers over 1 million candela and uses a unique optical system to offer one of the most impressive long-casting lighting solutions in the market. It's part of our Lazer Series featuring high-performance, super optic luminaires with long-throw grazer, wall wash, flood and spot flood capabilities. Lazer delivers over 1 million candela using it's native 3° optic with a Single Module unit, which has the capability to throw light over 980 feet away.

SPECIFICATIONS

color temperature	STATIC WHITE
--------------------------	---------------------

PHYSICAL

beam spread	3° 5°x 40° 10° 10°x 40° 30° 60° (full beam angle)
LEDs	36 LEDs per module
lengths/dimensions	26"W x 9.63"H x 7.25"D
weight	24 lbs (1M) 49 lbs (2M) 70 lbs (3M)
housing	marine grade, corrosion resistant, low copper, solid die-cast aluminum, extruded 6061 body with captive stainless steel fasteners
lens	anti-reflective-clear, tempered glass w/silicone gasketing
mounting	standard mounting is an integrated steel yoke system, 3 yoke sizes to support the 1, 2 and 3 Module units
ingress protection	IP66 rated for dry, damp or wet locations
impact resistance	IK08 lens impact rating, IK10 w/ Rock Guard (RG)
fixture connections	daisy chain Icon fixtures with male female twist & lock, 5-pin, IP68 rated connector cables

PERFORMANCE

lumen output	7074 lm (4000K), 6794 lm (3000K) 7569 lm (3500K) <i>Consult factory for availability.</i>
maximum delivered intensity	1,162,515 Cd @ 3 degrees* (4K) *native optical beam
color temperature	3000K, 4000K, 3500K <i>(consult factory)</i>
lumen maintenance	> 70,000 hours / L70 or better
operating temperature	-40°F to 122°F (-40°C to 50°C)
warranty	5 year limited warranty (refer to website for details)

ELECTRICAL

input voltage	Universal 120–277V AC
power supply	integral Class II, electronic high-power factor 99% @ 120V
dimming	0-10V dimming (standard)
certification	ETL / cETL, FCC Part 15
standards	UL-Class I
power consumption	100W @ 120V (per module)

Due to continuous development and improvements, specifications are subject to change without notice. Solid State Luminaires reserves the right to change lab test details or specifications without notice. Product use certifies agreement to Solid State Luminaires terms and conditions. All stated specifications have a tolerance of +/- 7%.

Lazer



PART NUMBER

Example: LZF-2M-UNV-840-70L-BK-540-HV-RG

LZF	MODULE	UNV	COLOR	70L	BK	OPTICS	INSTALLED ACCESSORIES
MODEL	MODULE	VOLTAGE	COLOR	LUMENS (nominal)	FINISH	OPTICS	INSTALLED ACCESSORIES
LZF Lazer	1M Single Module	UNV 120V - 277V	830 (83CRI) 3000K	70L 7074 lm @100W	BK black	3 3° Extra Narrow Spot	SPH Spread Lens Holder
	2M Dual Module†		840 (83CRI) 4000K	Use <i>IES Multiplier</i> chart below for CCT lumens.		540* 5°x 40° Narrow Spot	FV Full Visor
	3M Three Module†		835 § (83CRI) 3500K§			10* 10° Narrow Flood	HV Half Visor
						1040* 10° x 40° Mid Flood	LVR Louver
						30* 30° Wide Flood	RG Rock Guard
						60* 60° Full Flood	

† Includes wiring and connections, ready to install as a working unit.

§ Consult factory for availability.

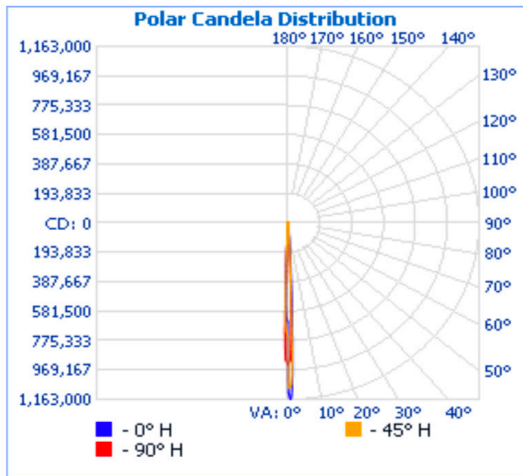
* Requires SPH accessory

Cable Accessories (order separately)

REQUIRED: Each run requires a Starter Cable and Terminator Cap.

_____ SC10CLZ 10 ft. Starter Connection Cord	_____ TCAPLZ Standard Terminator Cap	_____ EC120CLZ 120 in. Extension Cord
_____ SC25CLZ 25 ft. Starter Connection Cord	_____ EC24CLZ 24 in. Extension Cord	_____ EC240CLZ 240 in. Extension Cord
_____ SC50CLZ 50 ft. Starter Connection Cord	_____ EC60CLZ 60 in. Extension Cord	

PHOTOMETRIC DATA



Flood Summary				
	Efficiency	Lumens	Horizontal Spread	Vertical Spread
Field (10%):	63.6%	4,499.0	6.4	6.9
Beam (50%):	28.3%	1,999.8	3.4	3.6
Total:	99.8%	7,062.9		

Zonal Lumen Summary		
Zone	Lumens	% Luminaire
0-30	6,279.5	88.8%
0-40	6,524.1	92.2%
0-60	6,907.7	97.6%
60-90	166.5	2.4%
70-100	60.1	0.8%
90-120	0	0%
0-90	7,074.2	100%
90-180	0	0%
0-180	7,074.2	100%

	Illuminance at a Distance		
	Center Beam fc	Beam Width	
163.3ft	34.4 fc	10.2 ft	9.7 ft
326.7ft	8.58 fc	20.3 ft	19.4 ft
490.0ft	3.82 fc	30.5 ft	29.1 ft
653.3ft	2.15 fc	40.7 ft	38.8 ft
816.7ft	1.37 fc	50.8 ft	48.6 ft
980.0ft	0.95 fc	61.0 ft	58.3 ft

■ Vert. Spread: 3.6°

■ Horiz. Spread: 3.4°

LZF IES Multiplier	
Color	Multiplier
830 (3K)	0.96
835 (35K)	1.07
840 (4K)	1

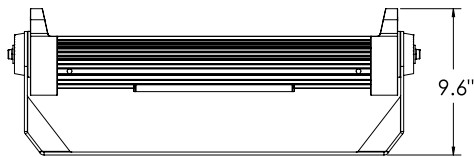
Due to continuous development and improvements, specifications are subject to change without notice. Solid State Luminaires reserves the right to change lab test details or specifications without notice. Product use certifies agreement to Solid State Luminaires terms and conditions. All stated specifications have a tolerance of +/- 7%.

Dimensions

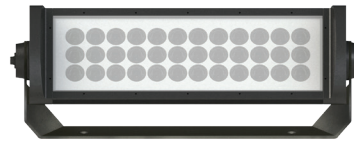
Lazer

FIXTURE

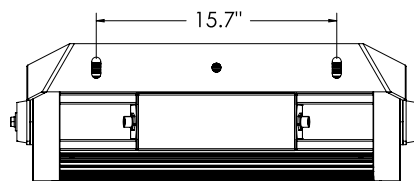
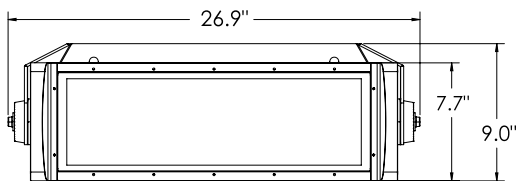
overall length	26" L
overall height	9.63" H
overall depth (1M)	7.25" D



Single Module
24 lbs (1M)



Shown with
Spread Lens Holder **SPH**
Required for: 5°x40°, 10°, 10°x40°, 30°, 60°

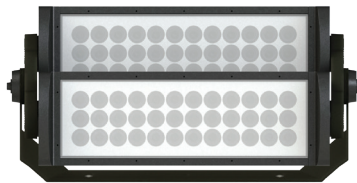


FIXTURE MODULES

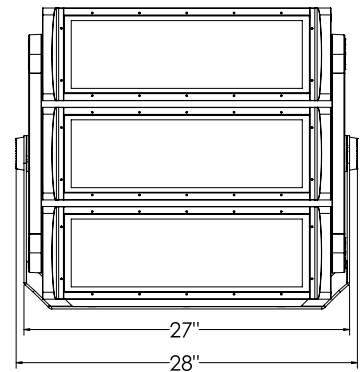
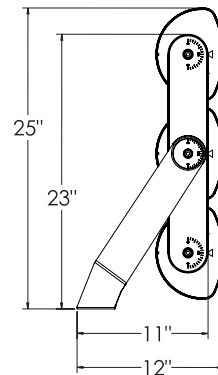
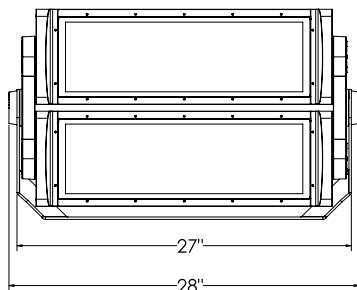
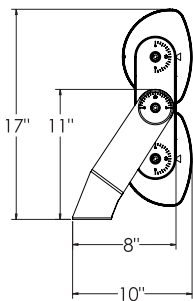
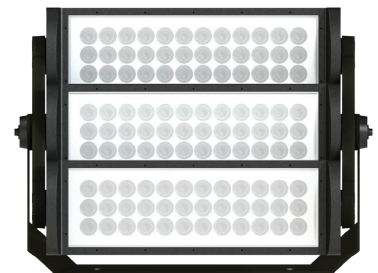
Single Module	1M
Dual Module	2M
Three Module	3M

CAUTION: Multiple module fixtures are much heavier than a single unit, requiring two or more people for lifting and installation.

Dual Module
49 lbs (2M)



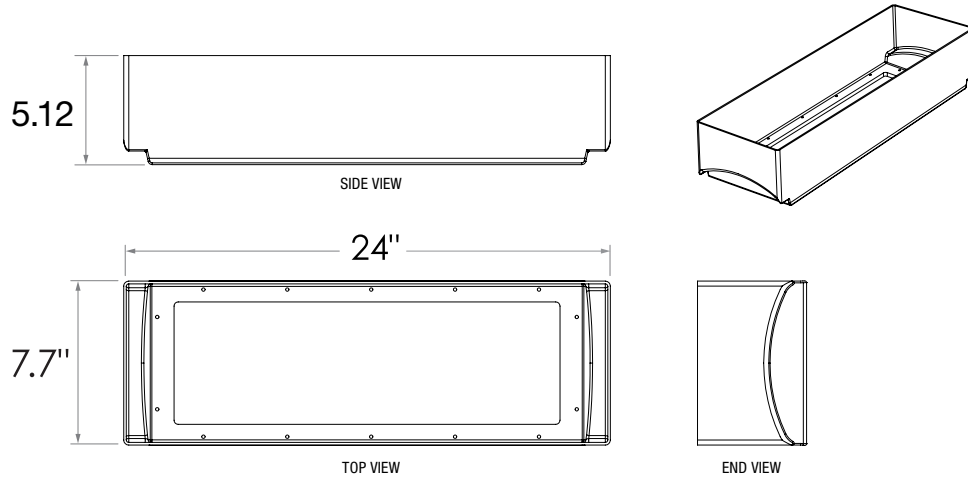
Three Module
70 lbs (3M)



Due to continuous development and improvements, specifications are subject to change without notice. Solid State Luminaires reserves the right to change lab test details or specifications without notice. Product use certifies agreement to Solid State Luminaires terms and conditions. All stated specifications have a tolerance of +/- 7%.

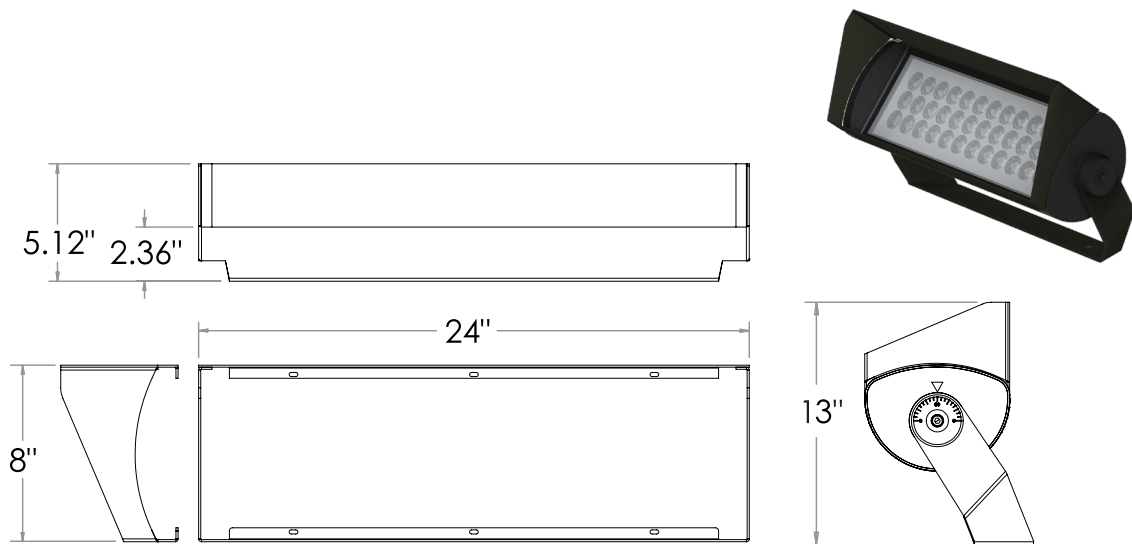
FULL VISOR

Part #	FV
--------	----



HALF VISOR

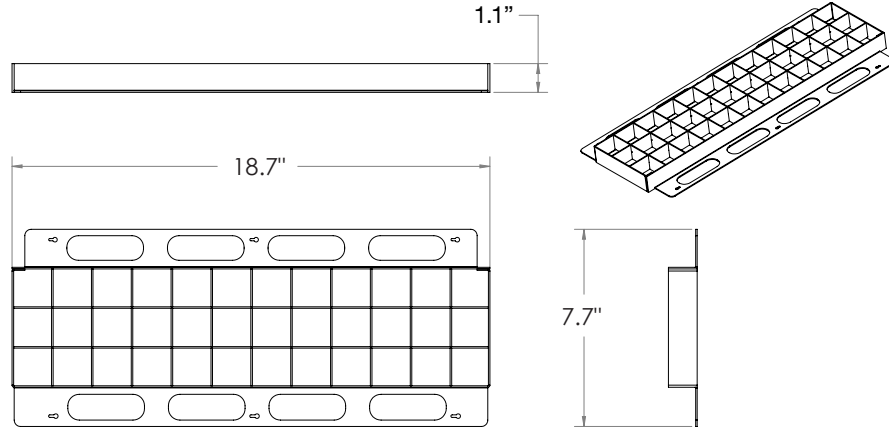
Part #	HV
--------	----



Due to continuous development and improvements, specifications are subject to change without notice. Solid State Luminaires reserves the right to change lab test details or specifications without notice. Product use certifies agreement to Solid State Luminaires terms and conditions. All stated specifications have a tolerance of +/- 7%.

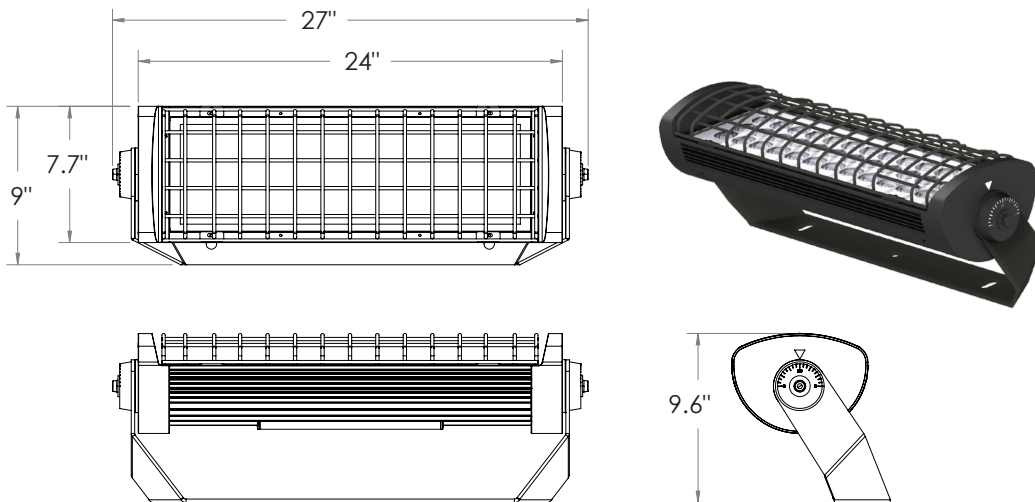
LOUVER

Part #	LVR
--------	-----



ROCK GUARD

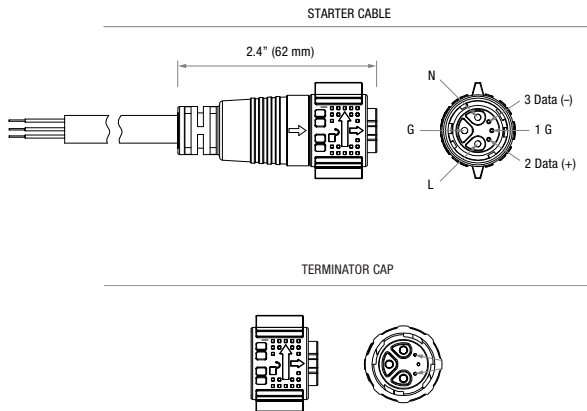
Part #	RG
--------	----



Due to continuous development and improvements, specifications are subject to change without notice. Solid State Luminaires reserves the right to change lab test details or specifications without notice. Product use certifies agreement to Solid State Luminaires terms and conditions. All stated specifications have a tolerance of +/- 7%.

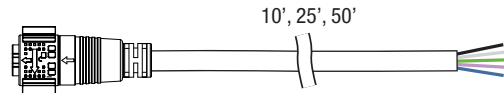
CONNECTIONS & CABLES

6-PIN CONNECTORS



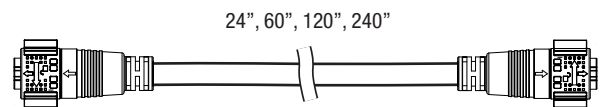
STARTER CORD (SCxxCLZ)

Required Starter Cord comes in multiple lengths with a fixture connector at one end and lead wires at the other end for connecting power & data.



EXTENSION CORD (ECxxCLZ)

The Extension Cord comes in multiple lengths with a fixture connection at each end for power & data and adding space between fixtures in a linear run.

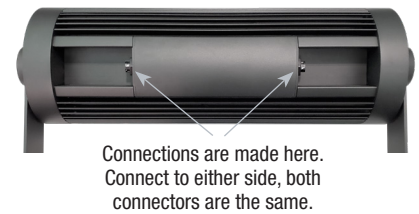


LZF - LAZER FLOOD CONFIGURATION EXAMPLE

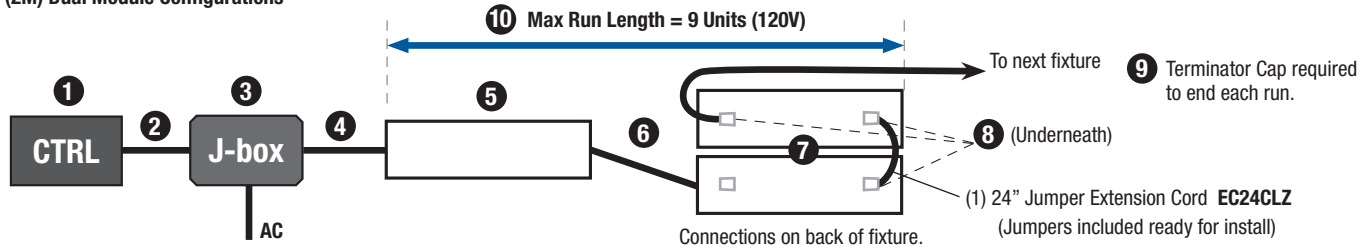
Component Identification

- 1) 0-10V Dimming Controller
- 2) DMX Data Cable (5-wire cable)
- 3) J-box Wiring Junction
- 4) Starter Cord SCxxCLZ
- 5) Single Lazer (LZF)
- 6) Extension Cord ECxxCLZ (connect at back of fixture)
- 7) Dual Module Lazer (LZF-2M)
- 8) Extension Cords connect fixtures ECxxCLZ
- 9) Terminator Cap TCAPLZ (required at end of run)
- 10) Max Run Length = 9 Modules (120V), 18 Mods (277V)

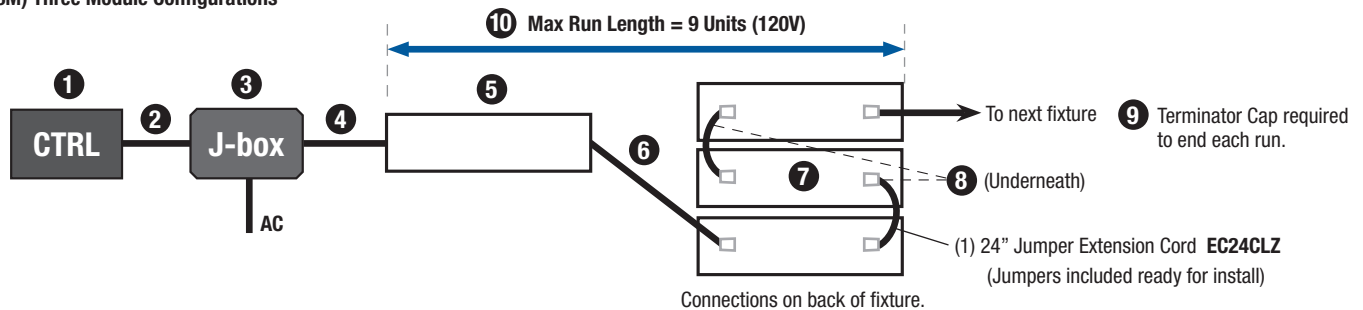
Fig. 1 Back of Fixture Connections



(2M) Dual Module Configurations



(3M) Three Module Configurations



Due to continuous development and improvements, specifications are subject to change without notice. Solid State Luminaires reserves the right to change lab test details or specifications without notice. Product use certifies agreement to Solid State Luminaires terms and conditions. All stated specifications have a tolerance of +/- 7%.