

LAZERLINE WET & LAZERLINE HC WET SERIES — INSTALLATION INSTRUCTIONS

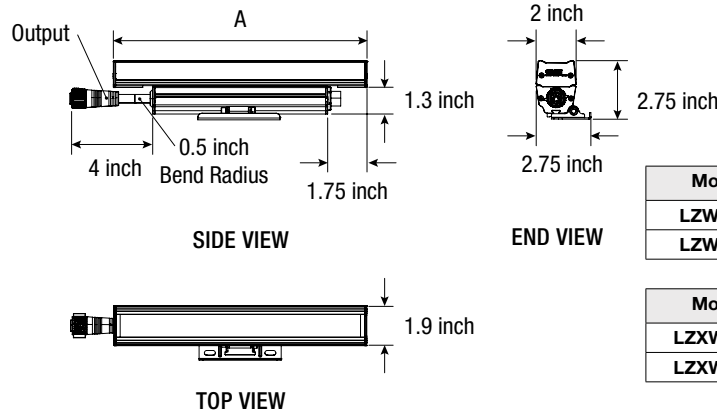
CAUTION: BEFORE CONNECTING THE LUMINAIRE TO A POWER SUPPLY, MAKE SURE THE POWER IS SWITCHED OFF.



STANDARD DIMENSIONS & CABLES

DETAILED ILLUSTRATION

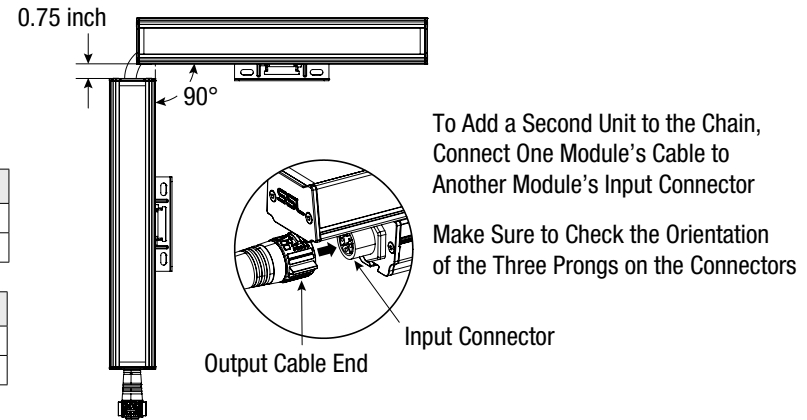
Standard Dimensions & Cables



Model	Length (A)
LZWET-1	12.3 inch
LZWET-4	48 inch

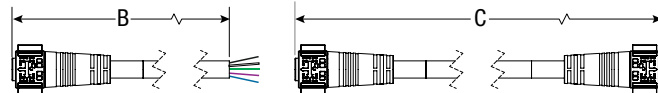
Model	Length (A)
LZXWET-1	12.3 inch
LZXWET-4	48 inch

Corners & Cord Bending



Starter Cable

Extension Cable

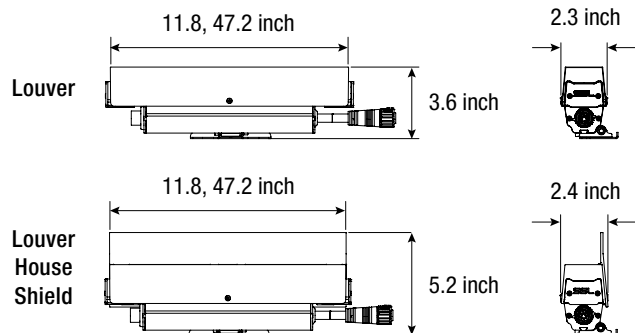


Model	B
SC05LZWET	5 FT
SC10LZWET	10 FT

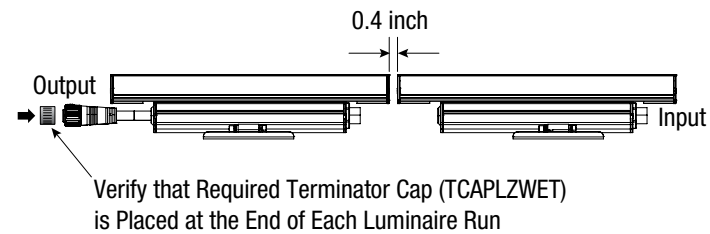
Model	C
EC24LZWET	24 inch
EC60LZWET	60 inch

Model	Maximum Run Length		
	W/FT	120 VAC, 50/60 Hz	277 VAC, 50/60 Hz
LZWET	12W	52	128
	9.5W	70	132
	5W	70	132
LZXWET	12W	52	128
	8W	70	132
	5W	70	132

Louver Dimensions



Spacing & Terminating Cap



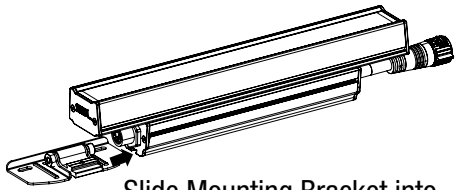
LAZERLINE WET & LAZERLINE HC WET SERIES — INSTALLATION INSTRUCTIONS

CAUTION: BEFORE CONNECTING THE LUMINAIRE TO A POWER SUPPLY, MAKE SURE THE POWER IS SWITCHED OFF.

DETAILED ILLUSTRATION

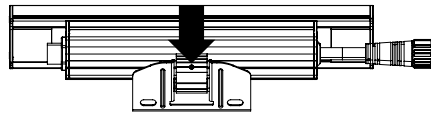


Bracket Mounting

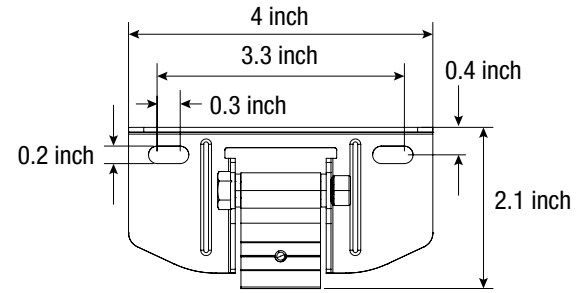


Slide Mounting Bracket into Channel to the Desired Location

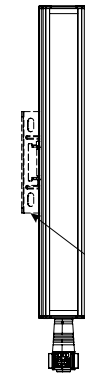
Tighten Set Screw Using 3/32 Hex Tool (Torque: 1.5 FT/LBS)



Bracket Footprint



Input

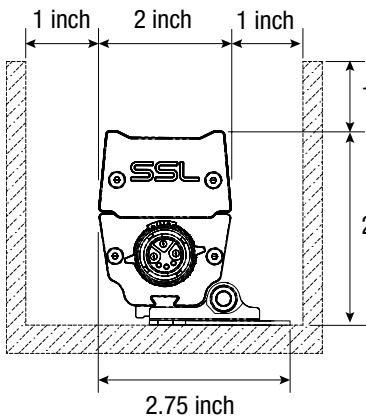


Use Slots on Mounting Bracket to Attach the Luminaire to Desired Surface

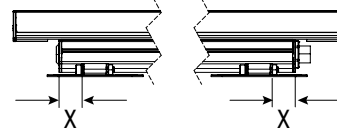
Determine Installation Orientation of Luminaire Before Attaching the Mounting Bracket on the Appropriate Side

Cove Spacing

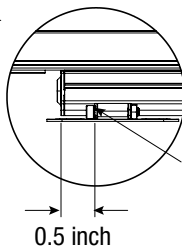
Unit Must Have 1 inch Clearance On All 3 Sides



Both Brackets Must Be Equidistant From Their Respective Edge

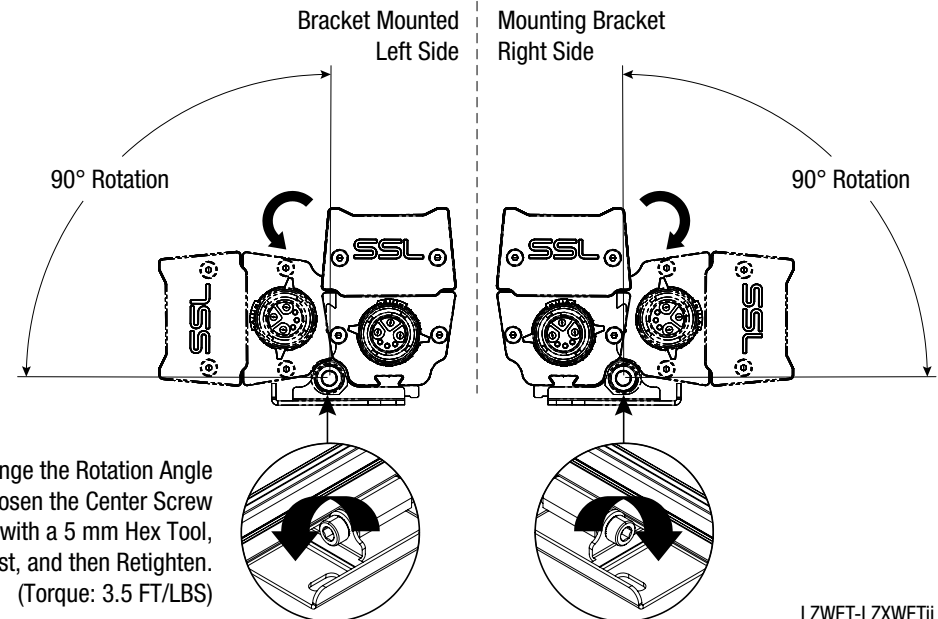


Center Bracket for 1 FT Luminaire



Mounting Bracket Must Be At Least 0.5 inch Away From Edge

Bracket Positioning



To Change the Rotation Angle Loosen the Center Screw with a 5 mm Hex Tool, Adjust, and then Retighten. (Torque: 3.5 FT/LBS)

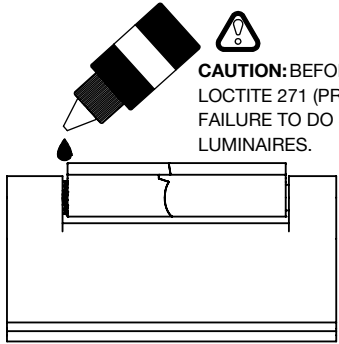
LAZERLINE WET & LAZERLINE HC WET SERIES — INSTALLATION INSTRUCTIONS

CAUTION: BEFORE CONNECTING THE LUMINAIRE TO A POWER SUPPLY, MAKE SURE THE POWER IS SWITCHED OFF.

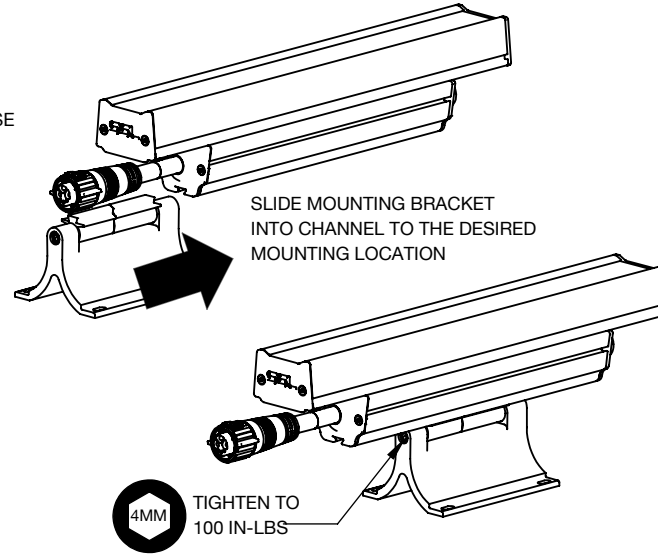
DETAILED ILLUSTRATION



CLWFA Bracket Mounting



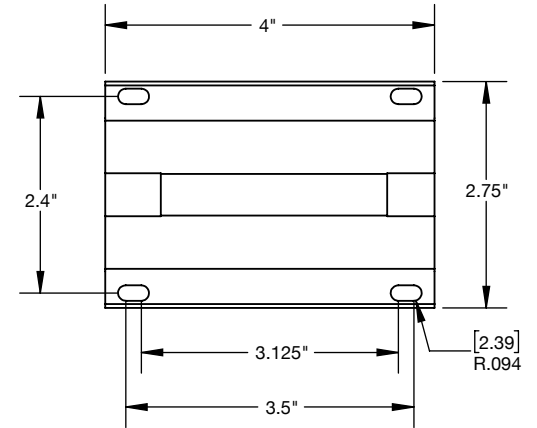
CAUTION: BEFORE ASSEMBLING, APPLY LOCTITE 271 (PROVIDED) TO THREADS. FAILURE TO DO SO CAN RESULT IN LOOSE LUMINAIRES.



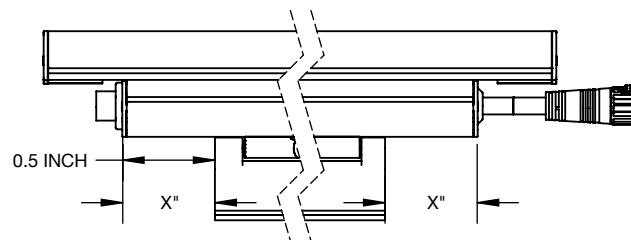
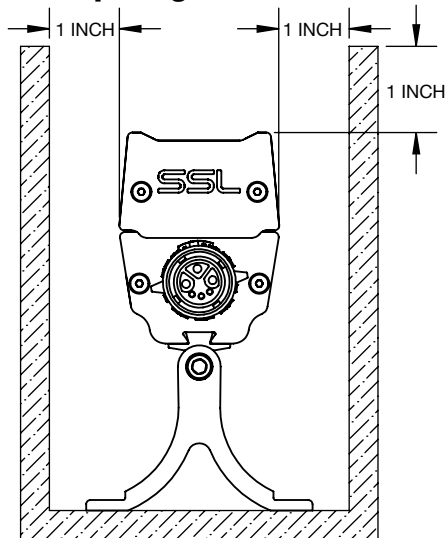
SLIDE MOUNTING BRACKET INTO CHANNEL TO THE DESIRED MOUNTING LOCATION

4MM TIGHTEN TO 100 IN-LBS

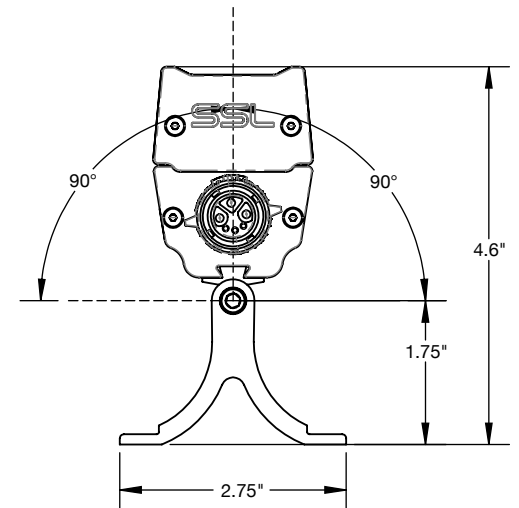
CLWFA Bracket Footprint



Cove Spacing



NOTE: MOUNTING BRACKET MUST BE AT LEAST 0.5" FROM EDGE FOR 4" LUMINAIRES, BOTH BRACKETS MUST BE EQUIDISTANT FROM THEIR RESPECTIVE EDGE.



LAZERLINE WET & LAZERLINE HC WET SERIES — INSTALLATION INSTRUCTIONS

CAUTION: BEFORE CONNECTING THE LUMINAIRE TO A POWER SUPPLY, MAKE SURE THE POWER IS SWITCHED OFF.

DETAILED ILLUSTRATION



LOUVER INSTALLATION — LLZW-1:

1. To field-install the louver, place the louver upon the top of the luminaire and firmly press down until it snaps in place.
2. Adjust the louver left-to-right so that each of the louver fins sits between two optical lenses.
3. When the desired position is obtained, use a 2 mm Hex Driver to tighten the screws located on both sides of the louver to lock it in place.

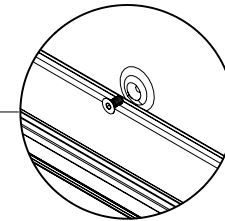
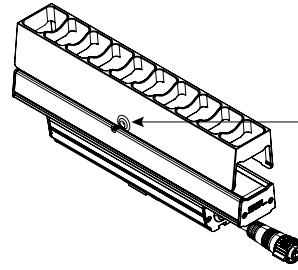
NOTE: Multiple segments must be used to louver a four foot long luminaire.

LOUVER INSTALLATION — LLZWS-1:

1. Remove the screw located on the side of the louver you wish to add a House-Shield upon.
2. Locate the lip on the underside of the louver's edge. This is most easily done pre-install.
3. Hook the underside of the House-Shield onto the lip.
4. Rotate the House-Shield upward so that it clips onto the top of the louver.
5. To field-install the louver, place the louver upon the top of the luminaire and firmly press down until it snaps in place.
6. Adjust the louver left-to-right so that each of the louver fins sits between two optical lenses.
7. Obtain the longer 8 mm Screw that was included with the House-Shield. Using a 2 mm Hex Driver, install the longer screw on the House-Shield side of the louver.
8. Using the same 2 mm Hex Driver, install the 6 mm Screw upon the opposite side to secure the louver in place.

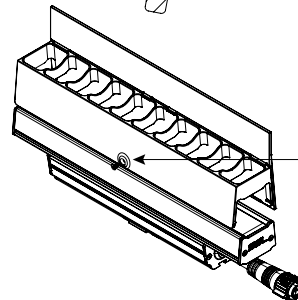
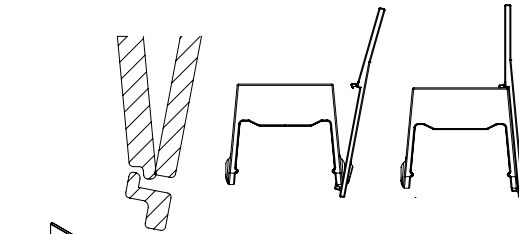
NOTE: Multiple segments must be used to louver a four foot long luminaire.

LLZW-1



M3x6 mm Screw
2 mm Hex Driver
(Torque: 1.5 IN/LBS)

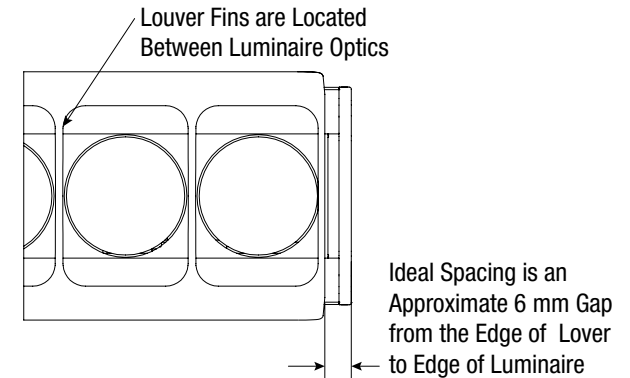
LLZWS-1



M3x6 mm Screw
2 mm Hex Driver
(Torque: 1.5 IN/LBS)

Louver Placement

CORRECT PLACEMENT



INCORRECT PLACEMENT

