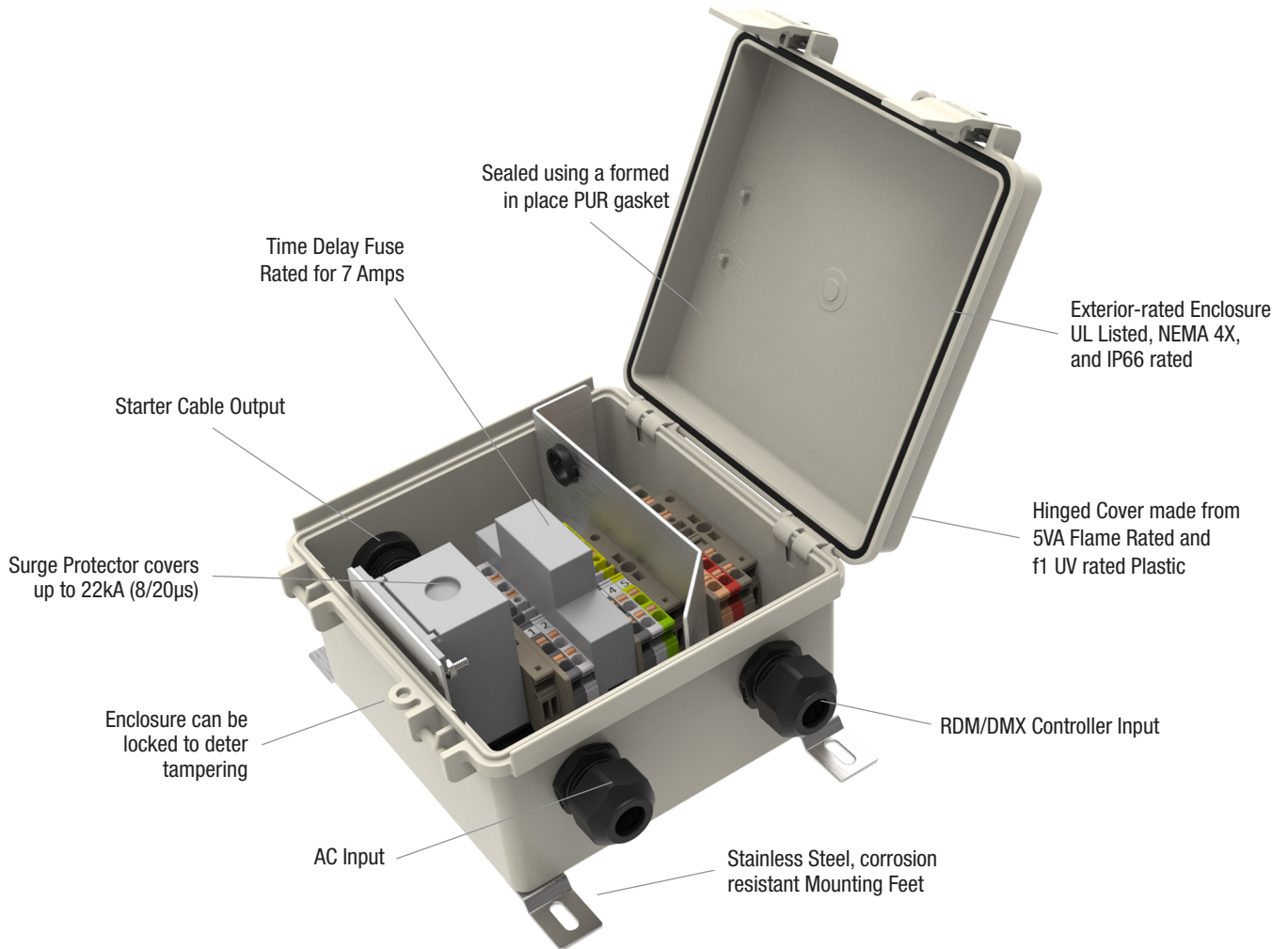


<b>Date:</b>	<b>Approved:</b>
<b>Type:</b>	
<b>Fixture:</b>	
<b>Project:</b>	

## PDX2-ACP

*Power Data Wiring Box  
with Surge Protector*

The PDX2-ACP is an exterior-rated enclosure that consolidates multiple input sources into one output to dynamic lighting products. Data input from the RDM/DMX Color controller and AC input combine to provide one output to a Starter Cord. PDX2-ACP features integrated Surge Protection. One PDX box is required per each fixture run.



### PDX2-ACP Features

- E1.20 RDM and E1.11 DMX512A compliant
- AC circuit is isolated from low-voltage DMX wiring
- Terminal Block is colored and numbered to ease wiring
- ETL Listed Wet Locations IP66 Enclosure
- Universal 120V–277V

### Fixture Types

#### ColourLine RGBW

- ColourLine Cove (CLCV)
- ColourLine Graze (CLGR)
- ColourLine Wet (CLWET)
- SSF2100 Series RGBW Floods

(Uses 5-Pin Connectors)

#### ColourLine Lazer RGBW

- ColourLine LazerLine Wet (CLZWET)
- ColourLine Lazer (CLZF)
- ColourLine Lazer Micro Flood (CLZMF)

(Uses 6-Pin Connectors)



Due to continuous development and improvements, specifications are subject to change without notice. Solid State Luminaires reserves the right to change lab test details or specifications without notice. Product use certifies agreement to Solid State Luminaires terms and conditions.

# Ordering Information

## PART NUMBER

<b>PDX2-ACP</b>	<b>-ACP</b>	
-----------------	-------------	--

## MODEL

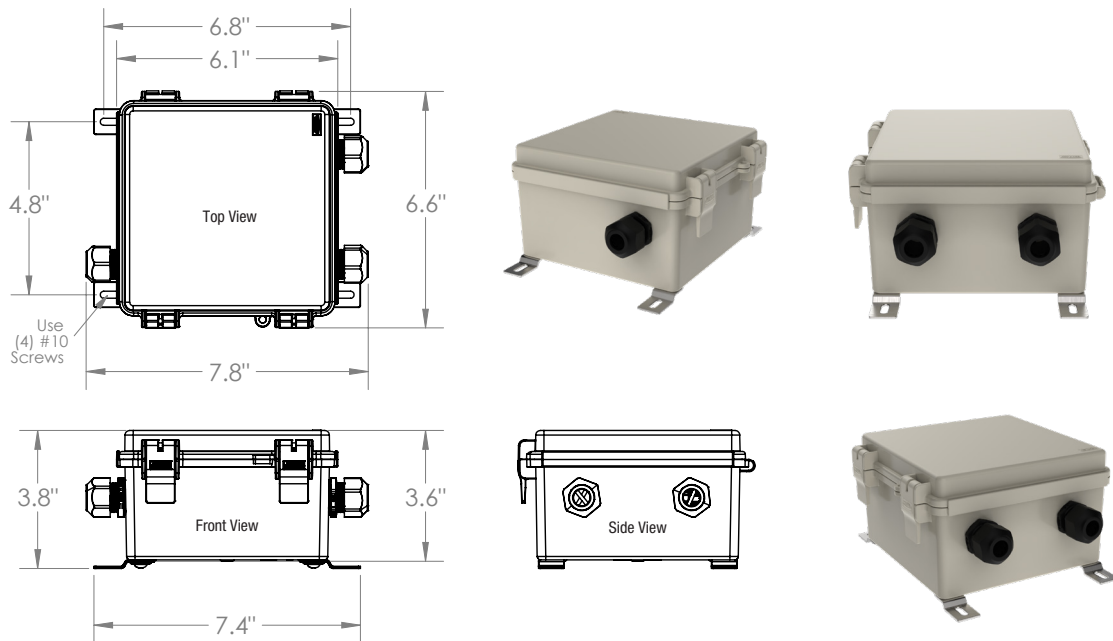
**PDX2-ACP** Power Data Wiring Box

**ACP** AC Input Surge Protection\*

\*Protects all connected products on AC input from 120-277VAC Surge spikes up to Extreme Category 20kV/10kA. Includes LED indicator and field replaceable for replacement and when fails it turns power off to all connected products preventing further damage. See below for detailed breakdown.

## Dimensions

### PDX2-ACP - POWER DATA WIRING BOX



## Surge Protection

### Surge Protector

- IMA(8/20 $\mu$ s) - 22kA
- IN(15 Impulses 8/20 $\mu$ s) - 10kA
- Built-In LED Indicator
- Easily removed for replacement
- UL1449 5TH Ed. TYPE 4CA, category VZCA2, VZCA8 (E326289)

### In-Line Fuse:

- Time-Delay Fuse
- 7a Rated
- 10kA Interrupt Rating
- 12 Second Response Time
- Voltage Rating - 500VAC / 300VDC
- UL Listed (E10480)
- 10x38mm Midget-Style Fuse

Due to continuous development and improvements, specifications are subject to change without notice. Solid State Luminaires reserves the right to change lab test details or specifications without notice. Product use certifies agreement to Solid State Luminaires terms and conditions.

 US Commercial Lighting Manufacturer Since 1982

**Specification Sheet**