

# SSC10 Ten-Inch Round Seamless Indoor Cylinder

Standard or Premium Drivers and Optional Integral Battery Backup



## FEATURES

- Up to 11000 lumens (4000K)
- No visible seams or fasteners
- Tool-less field interchangeable optics
- Quick twist-lock mounting
- Multiple housing colors
- 93 CRI with 2 SDCM

## PERFORMANCE

**Beam Spread:** 25°, 35°, 50°, 60°, 72°, WW  
**CCT Options:** 2700K, 3000K, 3500K, 4000K, 5000K  
**CRI:** 93 CRI  
**Consistency:** 2 SDCM (Luminaire to Luminaire)  
**Lumens:** 3000-1100 lumens (nominal)  
**Lumen Maintenance:** L70 > 70,000 hours

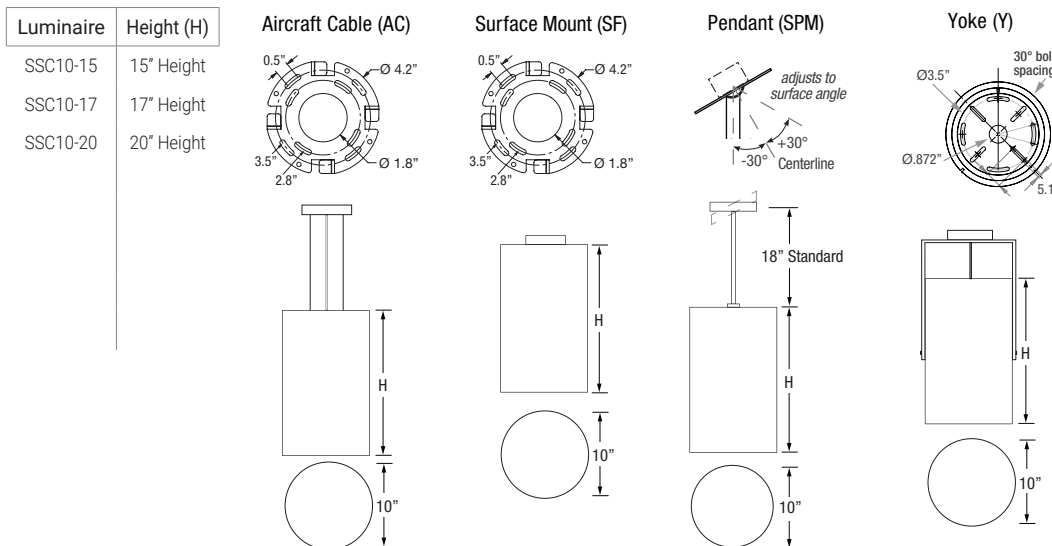
## PHYSICAL

**Mounting:** Aircraft cable, slope pendant, surface, yoke mounts with canopy.  
**Housing:** No visible seams or fasteners, marine grade, corrosion resistant, solid aluminum extrusion, high pressure die-cast aluminum components, black baffle.  
**Finish:** Six stage chemical iron phosphate conversion pre-treatment. Polyester powder coat finish, 18 µm minimum, 3,000 hour salt spray test (ASTM B117) AAMA 2603 specification.  
**Warranty:** 5-Year limited warranty  
**Lens:** IK05 impact compliant, clear anti-glare tempered glass. The Soft Field Lens option provides diffusion, reduces glare, and enhances visual comfort.  
**Ingress Protection:** Dry or damp locations IP43 rated  
**Weight:** 8-12 lbs (Depending on Length)  
**Operating Temperature:** -22°F to 122°F (-30°C to 50°C)

## ELECTRICAL

**Voltage:** Universal 120 - 277 VAC, 347 VAC optional  
**Power Supply:** Integral Class II, electronic high-power factor >.90, THD < 20%, FCC Title 47 Part 15 Class A.  
**Power Consumption:** Maximum 98W  
**Dimming: standard:** 0-10V Dimming, 1%, **optional:** ET, LD, XA, E1, E2  
**Standards:**  
 • cETLus Listed, CE, NOM, and RoHS Compliant.  
 • Tested to UL 1598 and UL 8750 standards / UL-Class I / IES LM-79 / LM-80 / FCC Part 15.

## PHYSICAL DIMENSIONS



Date: \_\_\_\_\_  
 Type: \_\_\_\_\_  
 Fixture: \_\_\_\_\_  
 Project: \_\_\_\_\_

Approved: \_\_\_\_\_

# SSC10 Ten-Inch Round Seamless Indoor Cylinder

## PRODUCT CODE

EXAMPLE: SSC10-15-SPM18-UNV-930-10L-BKI-25-ET

MODEL	HEIGHT	MOUNTING	SUSP. LENGTH	VOLTAGE	COLOR	LUMENS	FINISH	OPTIC	DIMMING	OPTIONS	BATTERY
SSC10											

### MODEL

SSC10

### HEIGHT

15 15" Height  
 17 17" Height  
 20 20" Height

### MOUNTING

AC Aircraft Cable  
 SF Surface Mount  
 SPM Pendant Mount  
 Y Yoke

### AC/SPM LENGTH

Specify the optional suspension length in inches. (Top of luminaire to ceiling) (AC & CM 4"-120" Max, Field Adjustable) (SPM 18" Standard, 6"-120" Max; 61"-120" w/LD & ET Only and stem comes in 2 sections)  
 \*Consult factory & price guide for other lengths.

### VOLTAGE

UNV Universal 120 - 277 VAC  
 347V 347 VAC (Only SF, SPM) (0-10V LD Dim Only)

### COLOR

927 (93CRI) 2700K  
 930 (93CRI) 3000K  
 935 (93CRI) 3500K  
 940 (93CRI) 4000K  
 950 (93CRI) 5000K  
 830 (93CRI) 3000K (95L-110L Only)  
 840 (93CRI) 4000K (95L-110L Only)

### LUMENS nominal

30L 3000 lm (93 CRI Standard)  
 35L 3500 lm (93 CRI Standard)  
 40L 4000 lm (93 CRI Standard)  
 45L 4500 lm (93 CRI Standard)  
 50L 5000 lm (93 CRI Standard)  
 55L 5500 lm (93 CRI Standard)  
 60L 6000 lm (93 CRI Standard)  
 65L 6500 lm (93 CRI Standard)  
 70L 7000 lm (93 CRI Standard)  
 75L 7500 lm (93 CRI Standard)  
 80L 8000 lm (93 CRI Standard)  
 85L 8500 lm (93 CRI Standard)  
 90L 9000 lm (93 CRI Standard)  
 95L 9500 lm (83 CRI Only)  
 100L 10000 lm (Min 20" H) (83 CRI Only)  
 105L 10500 lm (Min 20" H) (83 CRI Only)  
 110L 11000 lm (Min 20" H) (83 CRI Only)

### FINISH

BKI Black  
 BRI Bronze  
 SLI Silver  
 WHI White  
 CCI Custom Color

OPTIC nominal		w/SOFT FIELD	
25	Spot (15°)	25S	Spot
35	Narrow Flood (35°)	35S	Narrow Flood
50	Mid Flood (50°)	50S	Mid Flood
60	Flood (60°)	60S	Flood
72	Wide Flood (72°)	72S	Wide Flood
		WW	Wall Wash (25° Optic Only)

### DIMMING

ET ELV or TRIAC Driver (Only 5L-45L)  
 LD LED Dimming 0-1V, 1%  
 XA DMX Dim to 0.1% (10L-50L)  
 E1 eldoLED 0-10V, Dim to 0.1% (Only 30L-50L)  
 E2 eldoLED DALI-2 Dim to 0.1% (Only 30L-50L)

### OPTIONS

CO Surface Mount Conduit Adapter

### BATTERY

BBU Battery Backup, Integral (w/UNV Only)  
 N/A (Leave blank if No Battery Backup Needed)

# SSC10 Ten-Inch Round Seamless Indoor Cylinder

## LUMENS / WATTAGE nominal

LUMENS	WATTAGE
3000	30
3500	35
4000	43
4500	47
5000	52
5500	55
6000	60
6500	65
7000	69
7500	78
8000	83
8500	86
9000	90
9500	98
10000	86
10500	90
11000	98

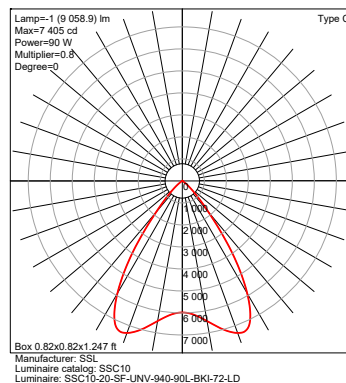
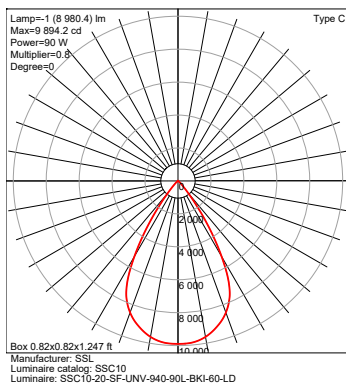
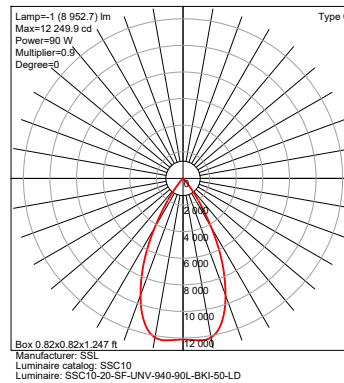
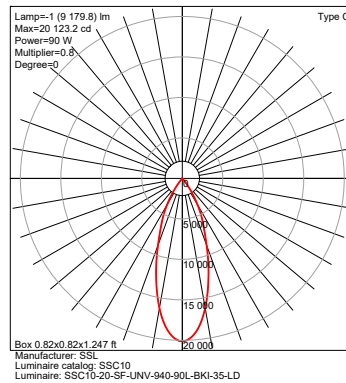
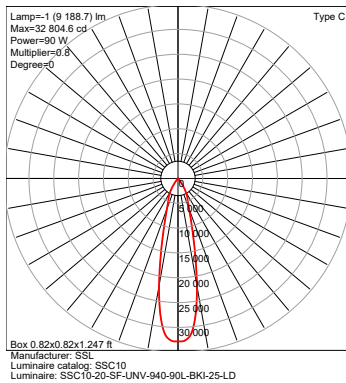
CCT/CRI	MULTI
927	0.89
930	0.95
935	0.99
940	1.00
950	1.01
*83CRI ≤1.15 Consult factory.	

LENS	MULTI
No Soft	1
Soft Field	0.93


TRIAC & ELV Approved Dimmer List	
Manufacturer	Manufacturer Part Number
Lutron	Glyder GLV-600
	Dival DVLV-600P
	Dival DV-600P
	Dival DVELV-600P(303)
	Maestro MALV-600
	Nova T NT-1000
	Nova T NTELV-600
Skylark SLV-600P	
RadioRA2-10ND	
Leviton	SureSlide 6633
	Illumatech IPE04

0-10V Approved Dimmer List	
Manufacturer	Manufacturer Part Number
Lutron	Dival DVSTV-XX
	Dival DVSTV-453PH-WH1
Leviton	Illumatech 010-IP710-DLZ

## PHOTOMETRICS



Due to continuous development and improvements, specifications are subject to change without notice. Product use certifies agreement to Solid State Luminaires terms and conditions.

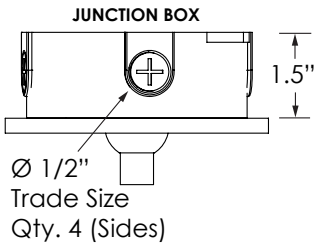
 US Commercial Lighting Manufacturer Since 1982

# SSC10 Ten-Inch Round Seamless Indoor Cylinder

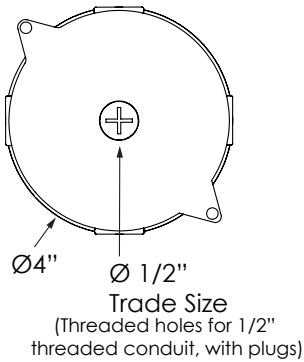
## CO Option

Surface Mount Conduit Adapter

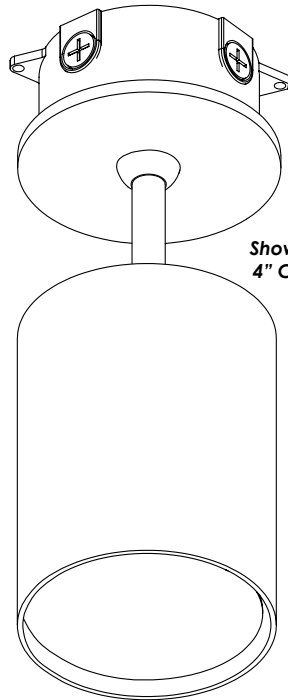
For wall or ceiling installation.  
*NOT* for use in upright pier mount.



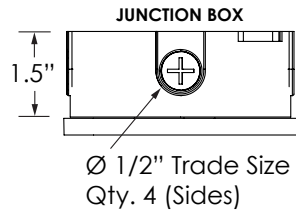
**TOP VIEW  
JUNCTION BOX**  
(Hole Center Top)



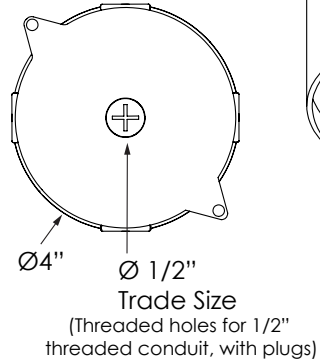
**SURFACE MOUNT  
CONDUIT ADAPTER**  
(for SPM Cylinders)



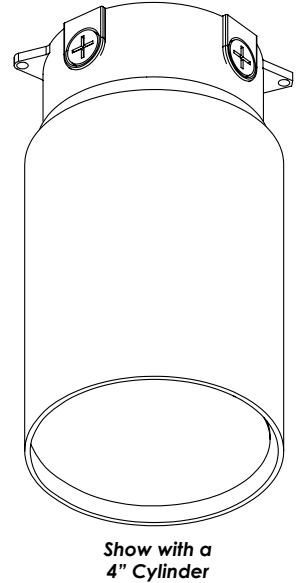
For wall or ceiling installation.  
*NOT* for use in upright pier mount.



**TOP VIEW  
JUNCTION BOX**  
(Hole Center Top)



**SURFACE MOUNT  
CONDUIT ADAPTER**  
(for AC, CM, SF Cylinders)



**Surface Mount Conduit Adapter can be added to any  
of the AC, CM, SF and SPM Mounts**

