





Date: \_\_\_\_\_  
 Type: \_\_\_\_\_  
 Fixture: \_\_\_\_\_  
 Project: \_\_\_\_\_

Approved: \_\_\_\_\_

# SSC2.5DR Two and a Half Inch Round Seamless Indoor Cylinder

Standard Remote or Premium Drivers with Optional Battery Backup and Drop Diffusers



- Frosted 
- Amber 
- Red 
- Blue 

## FEATURES

- Up to 1500 lumens (4000K)
- Multiple finish & drop diffuser color options
- No visible seams or fasteners
- Tool-less field interchangeable optics
- Quick twist-lock mounting
- Multiple housing colors
- 93 CRI with 2 SDCM

## PERFORMANCE

- Beam Spread:** 15°, 20°, 36°
- CCT Options:** 2700K, 3000K, 3500K, 4000K
- CRI:** 93 CRI
- Consistency:** 2 SDCM (Luminaire to Luminaire)
- Lumens:** 500-1500 lumens (nominal)
- Lumen Maintenance:** L70 > 70,000 hours



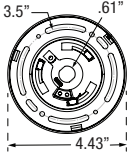
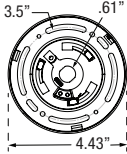
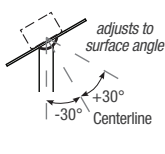
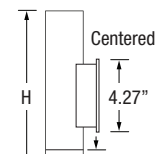
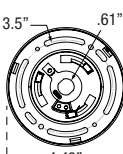
## PHYSICAL

- Mounting:** Aircraft cable, cord, slope pendant, surface, wall, yoke mounts with twist-lock canopy or through drywall using optional mud ring adapter.
- Housing:** No visible seams or fasteners, marine grade, corrosion resistant, solid aluminum extrusion, high pressure die-cast aluminum components, black baffle.
- Finish:** Six stage chemical iron phosphate conversion pre-treatment. Polyester powder coat finish, 18 µm minimum, 3,000 hour salt spray test (ASTM B117) AAMA 2603 specification.
- Warranty:** 5-Year limited warranty
- Lens:** IK07 impact compliant, acrylic drop diffuser
- Ingress Protection:** Dry or damp locations IP43 rated
- Weight:** 2-5 lbs (Depending on Length)
- Operating Temperature:** -22°F to 122°F (-30°C to 50°C)

## ELECTRICAL

- Voltage:** Universal 120 - 277 VAC, 347 VAC optional
- Power Supply:** Integral Class II, electronic high-power factor >.90, THD < 20%, FCC Title 47 Part 15 Class A.
- Power Consumption:** Maximum 14W
- Dimming: standard:** 0-10V Dimming, 1%, **optional:** XA, ET, E1, E2, L1, L2
- \*Other commercial grade systems can be subject to testing or approval via factory request (equipment by others).
- Standards:**
  - cETLus Listed, CE, NOM, and RoHS Compliant.
  - Tested to UL 1598 and UL 8750 standards / UL-Class I / IES LM-79 / LM-80 / FCC Part 15.

## PHYSICAL DIMENSIONS

Luminaire	Height (H)	Cord (CM)	Surface Mount (SF)	Pendant (SPM)	Wall Mount (WM)	Yoke (Y)
SSC2.5-09	(6.75" + 2.1") 8.85" Total Height					
SSC2.5-12	(10" + 2.1") 12.1" Total Height					
SSC2.5-16	(14" + 2.1") 16.1" Total Height					

\*Consult factory for any other height options.

# SSC2.5DR Two and a Half Inch Round Seamless Indoor Cylinder

## PRODUCT CODE

EXAMPLE: SSC2.5DR-16-SPM18-UNV-930-10L-BKI-15-LD-DDR

MODEL	HEIGHT	MOUNTING	SUSP. LENGTH	VOLTAGE	COLOR	LUMENS	FINISH	OPTIC	DIMMING	OPTIONS	BACKUP	
SSC2.5DR												
<b>MODEL</b> <b>SSC2.5DR</b> LED DRIVER REMOTE (INDOOR) IP20, IK08, NEMA 1, -20°C to +50°C, 30' MAX Distance with 12AWG	<b>HEIGHT</b> <b>9</b> (6.75"+ 2.1") 8.85" Total Height <b>12</b> (10"+ 2.1") 12.1" Total Height <b>16</b> (14"+ 2.1") 16.1" Total Height *Consult factory for any other height options.	<b>MOUNTING</b> <b>CM</b> Cord Mount <b>SF</b> Surface Mount <b>SPM</b> Slope Pendant Mount <b>WM</b> Wall Mount <b>Y</b> Yoke (8" Max)	<b>AC/CM/SPM SUSPENSION LENGTH</b> Specify the optional suspension length in inches. (Top of fixture to ceiling) (AC & CM 4"-120" Max, Field Adjustable) (SPM 18" Standard, 6"-120" Max; 61"-120" w/LD & ET Only and stem comes in 2 sections) *Consult factory & price guide for other lengths.	<b>VOLTAGE</b> <b>UNV</b> Universal 120 - 277 VAC <b>347</b> 347 VAC (LD 0-10V Only) (SF, SPM, WM Only)	<b>COLOR</b> <b>927</b> (93CRI) 2700K <b>930</b> (93CRI) 3000K <b>935</b> (93CRI) 3500K <b>940</b> (93CRI) 4000K	<b>LUMENS</b> <b>05L</b> 500 lm <b>10L</b> 1000 lm <b>15L</b> 1500 lm	<b>FINISH</b> <b>BKI</b> Black <b>BRI</b> Bronze <b>SLI</b> Silver <b>WHI</b> White <b>CCI</b> Custom Color	<b>OPTIC nominal</b> <b>15</b> Spot (15°) <b>20</b> Narrow Flood (20°) <b>36</b> Flood (36°)	<b>DIMMING</b> <b>ET</b> ELV or TRIAC Driver <b>LD</b> 0-10V Dimming, 1% (Standard) <b>XA</b> DMX Dim to 0.1% (SPM and WM Only) <b>E1</b> eldoLED 0-10V, Dim to 0.1%, Dim-to-Off <b>E2</b> eldoLED DALI-2 Dim to 0.1% <b>L1</b> Lutron Hi-Lume 1% Ecosystem (Digital Dimming), Soft-on Fade-to-Black (10L-15L) <b>L2</b> Lutron Hi-Lume 1% 2-Wire (Forward Phase Dimming) (10L-15L) *Other commercial grade systems can be subject to testing or approval via factory request (equipment by others).	<b>OPTIONS 1</b> <b>DDF</b> Drop Diffuser Frosted <b>DDR</b> Drop Diffuser Red <b>DDA</b> Drop Diffuser Amber <b>DDB</b> Drop Diffuser Blue	<b>OPTIONS 2</b> <b>CO</b> Surface Mount Conduit Adapter <b>MRA</b> Mud Ring Adapter	<b>BACKUP</b> <b>BBUR</b> BATTERY BACK-UP & LED DRIVER REMOTE (INDOOR), IP20, IK08, NEMA 1, 0°C to +48°C, 30' MAX Distance with 12AWG (w/UNV Option Only) <b>N/A</b> (Leave blank if No Battery Backup Needed)

# SSC2.5DR Two and a Half Inch Round Seamless Indoor Cylinder

## LUMENS / WATTAGE nominal

Model	Watts	935
SSC2.5DR	4 W	500 lm
	8.5 W	1000 lm
	14 W	1500 lm

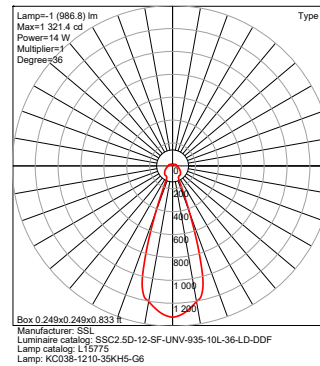
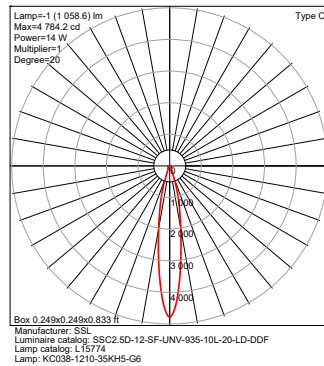
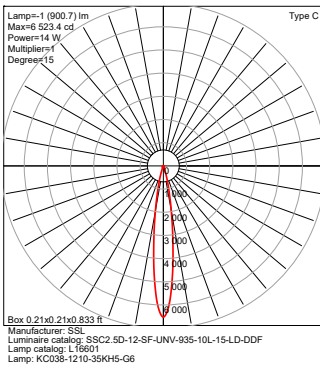
IES Multiplier	
Color	Multiplier
927	0.95
930	0.98
935	1.00
940	1.01

TRIAC & ELV Approved Dimmer List	
Manufacturer	Manufacturer Part Number
Lutron	Glyder GLV-600
	Diva DVLV-600P
	Diva DV-600P
	Diva DVELV-600P(303)
	Maestro MALV-600
	Nova T NT-1000
	Nova T NTELV-600
Skylark SLV-600P	
RadioRA2-10ND	
Leviton	SureSlide 6633
	Illumatech IPE04

0-10V Approved Dimmer List	
Manufacturer	Manufacturer Part Number
Lutron	Diva DVSTV-XX
	Diva DVSTV-453PH-WH1
Leviton	Illumatech 010-IP710-DLZ

## PHOTOMETRICS

(Below photos and graphs are shown with frosted drop diffusers.)

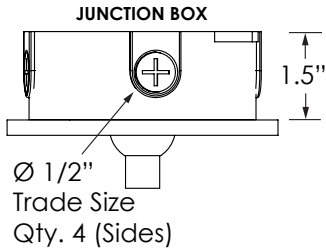


# SSC2.5DR Two and a Half Inch Round Seamless Indoor Cylinder

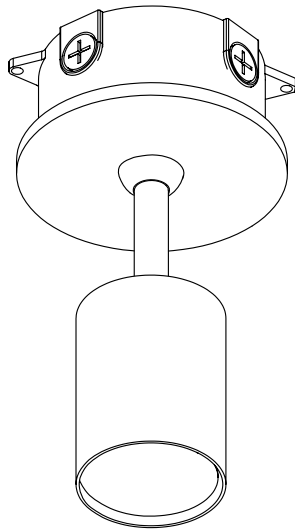
## CO Option

Surface Mount Conduit Adapter

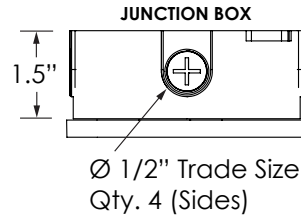
For wall or ceiling installation.  
*NOT* for use in upright pier mount.



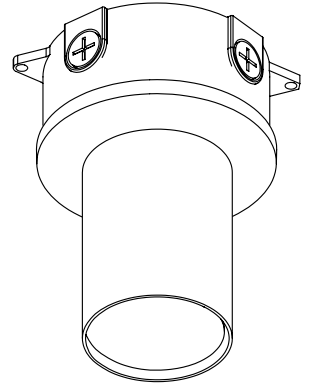
**SURFACE MOUNT  
CONDUIT ADAPTER**  
(for SPM Cylinders)



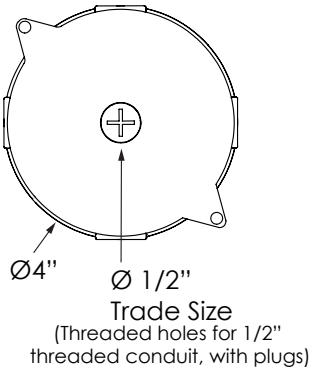
For wall or ceiling installation.  
*NOT* for use in upright pier mount.



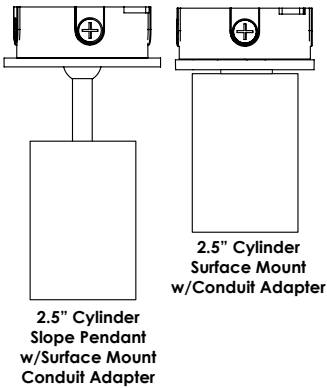
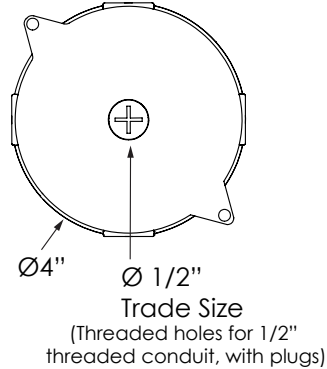
**SURFACE MOUNT  
CONDUIT ADAPTER**  
(for AC, CM, SF Cylinders)



**TOP VIEW  
JUNCTION BOX**  
(Hole Center Top)



**TOP VIEW  
JUNCTION BOX**  
(Hole Center Top)

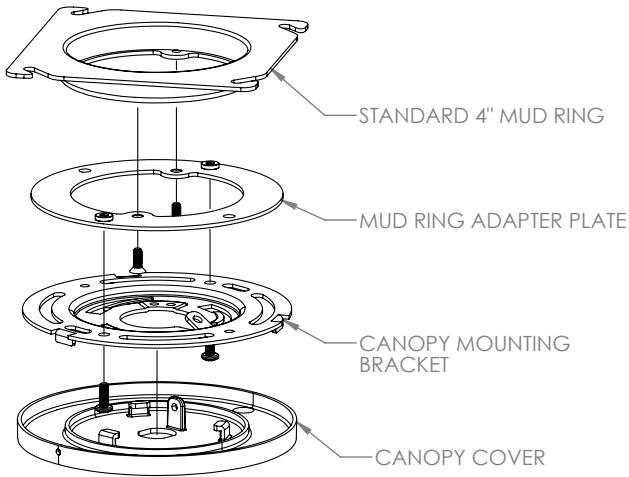


**Surface Mount Conduit Adapter can be added to any  
of the AC, CM, SF and SPM Mounts**

## SSC2.5DR Two and a Half Inch Round Seamless Indoor Cylinder

### MRA Option

Mud Ring Adapter



### BATTERY BACK-UPS

**BBUR - BATTERY BACK-UP & LED DRIVER REMOTE (INDOOR), IP20, IK08, NEMA 1, 0°C to +48°C, 30' MAX Distance with 12AWG (w/UNV Option Only)**

