

Date: _____
 Type: _____
 Fixture: _____
 Project: _____

Approved: _____

SSC2.5D Two and a Half Inch Round Seamless Indoor Cylinder

Standard Drivers with Drop Diffusers



- Frosted
- Amber
- Red
- Blue

FEATURES

- Multiple housing colors & drop diffuser color options
- Up to 1000 lumens (4000K)
- No visible seams or fasteners
- Quick twist-lock mounting
- 93 CRI with 2 SDCM

PERFORMANCE

- Beam Spread:** 15°, 20°, 36°
- CCT Options:** 2700K, 3000K, 3500K, 4000K
- CRI:** 93 CRI
- Consistency:** 2 SDCM (Luminaire to Luminaire)
- Lumens:** 500 - 1000 lumens (typical)
- Lumen Maintenance:** L70 > 70,000 hours



(Silver Finish w/ Blue Drop Diffuser Shown Above)



Made in USA with domestic & globally sourced components

PHYSICAL

- Mounting:** Aircraft cable, cord, slope pendant, surface, wall, yoke mounts with twist-lock canopy. Twist-lock canopy mounts to standard Octagon J-Box or through drywall using optional mud ring adapter.
- Housing:** No visible seams or fasteners, marine grade, corrosion resistant, solid aluminum extrusion, high pressure die-cast aluminum components, black baffle.
- Finish:** Six stage chemical iron phosphate conversion pre-treatment. Polyester powder coat finish, 18 µm minimum, 3,000 hour salt spray test (ASTM B117) AAMA 2603 specification.
- Warranty:** 5-Year limited warranty
- Lens:** IK07 impact compliant, acrylic drop diffuser
- Ingress Protection:** Dry or damp locations IP43 rated
- Weight:** 2-5 lbs (Depending on Length)
- Operating Temperature:** -22°F to 104°F (-30°C to 40°C)

ELECTRICAL

- Voltage:** Universal 120 - 277 VAC
- Power Supply:** Integral Class II, electronic high-power factor >.90, THD < 20%, FCC Title 47 Part 15 Class A.
- Power Consumption:** Maximum 16W
- Dimming:** Tri-Dim (UNV Only), (1%, 0-10V, 120 - 277 VAC), (1%, TRIAC & ELV, 120 VAC Only)
- Standards:**
 - cETLus Listed, CE, NOM, and RoHS Compliant.
 - Tested to UL 1598 and UL 8750 standards / UL-Class I / IES LM-79 / LM-80 / FCC Part 15.

PHYSICAL DIMENSIONS

Luminaire	Height (H)	Aircraft Cable (AC)	Cord (CM)	Surface Mount (SF)	Pendant (SPM)	Wall Mount (WM)	Yoke (Y)
SSC2.5-09	(6.75" + 2.1") 8.85" Total Height						
SSC2.5-12	(10" + 2.1") 12.1" Total Height						
SSC2.5-16	(14" + 2.1") 16.1" Total Height						

Due to continuous development and improvements, specifications are subject to change without notice. Product use certifies agreement to Solid State Luminaires terms and conditions.

SSC2.5D Two and a Half Inch Round Seamless Indoor Cylinder

PRODUCT CODE

EXAMPLE: SSC2.5D-16-SPM18-UNV-930-10L-BKI-15-LD-DDR

MODEL	HEIGHT	MOUNTING	SUSP. LENGTH	VOLTAGE	COLOR	LUMENS	FINISH	OPTIC	DIMMING	OPTIONS
SSC2.5D				UNV					TD	

MODEL
SSC2.5D

HEIGHT
9 (6.75"+ 2.1") 8.85" Total Height
12 (10"+ 2.1") 12.1" Total Height
16 (14"+ 2.1") 16.1" Total Height
 *Consult factory for any other height options.

MOUNTING
AC Aircraft Cable
CM Cord Mount
SF Surface Mount
SPM Slope Pendant Mount
WM Wall Mount
Y Yoke (8" Max)

AC/CM/SPM SUSPENSION LENGTH
 Specify the optional suspension length in inches. (Top of luminaire to ceiling) (AC & CM 4"-120" Max, Field Adjustable) (SPM 18" Standard, 6"-120" Max; 61"-120" w/LD & ET Only and stem comes in 2 sections) *Consult factory & price guide for other lengths.

VOLTAGE
UNV Universal 120 - 277 VAC

COLOR
927 (93CRI) 2700K
930 (93CRI) 3000K
935 (93CRI) 3500K
940 (93CRI) 4000K
 Other CCT/CRI available upon request.

LUMENS typical
05L 500 lm
10L 1000 lm (Min 12" Total H)

FINISH
BKI Black
BRI Bronze
SLI Silver
WHI White
CCI Custom Color

OPTIC typical
15 Spot (15°)
20 Narrow Flood (20°)
36 Flood (36°)

DIMMING
TD Tri-Dim (UNV Only) (1%, 0-10V, 120 - 277 VAC), (1%, TRIAC & ELV, 120 VAC Only)

OPTIONS 1
DDF Drop Diffuser Frosted
DDR Drop Diffuser Red
DDA Drop Diffuser Amber
DDB Drop Diffuser Blue

OPTIONS 2
CO Surface Mount Conduit Adapter
MRA Mud Ring Adapter

SSC2.5D Two and a Half Inch Round Seamless Indoor Cylinder

LUMENS / WATTAGE typical

Model	Watts	940
SSC2.5D	6.9 W	500 lm
	16 W	1000 lm

IES Multiplier	
Color	Multiplier
927	0.92
930	0.95
935	0.98
940	1.00

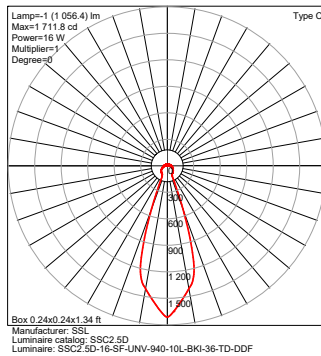
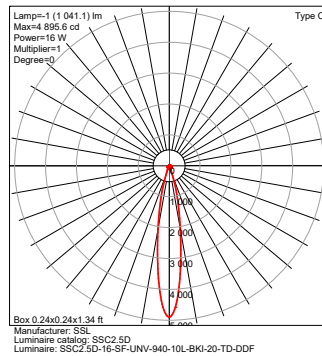
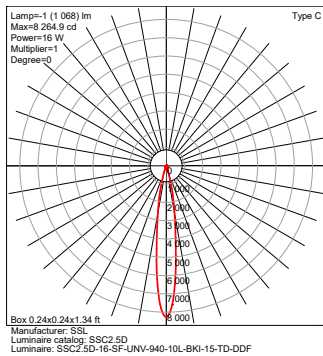
*83CRI≤1.15 Consult factory.

TRIAC & ELV Approved Dimmer List	
Manufacturer	Manufacturer Part Number
Lutron	Glyder GLV-600
	Diva DVLV-600P
	Diva DV-600P
	Diva DVELV-600P(303)
	Maestro MALV-600
	Nova T NT-1000
Leviton	Nova T NTELV-600
	Skylark SLV-600P
	RadioRA2-10ND
	SureSlide 6633
	Illuminatech IPE04

0-10V Approved Dimmer List	
Manufacturer	Manufacturer Part Number
Lutron	Diva DVSTV-XX
	Diva DVSTV-453PH-WH1
Leviton	Illuminatech 010-IP710-DLZ

PHOTOMETRICS

(Below photos and graphs are shown with frosted drop diffusers.)

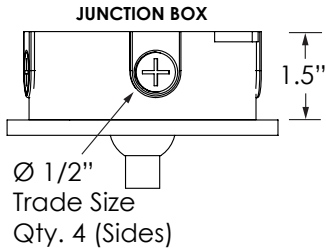


SSC2.5D Two and a Half Inch Round Seamless Indoor Cylinder

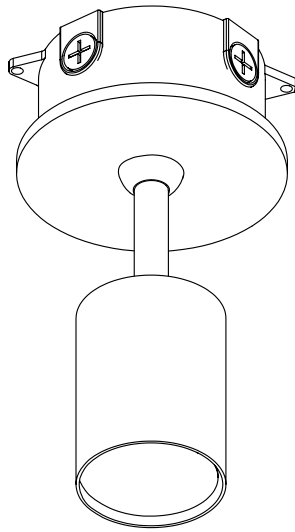
CO Option

Surface Mount Conduit Adapter

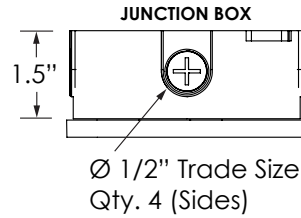
For wall or ceiling installation.
NOT for use in upright pier mount.



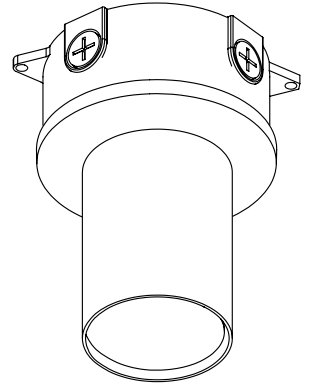
**SURFACE MOUNT
CONDUIT ADAPTER**
(for SPM Cylinders)



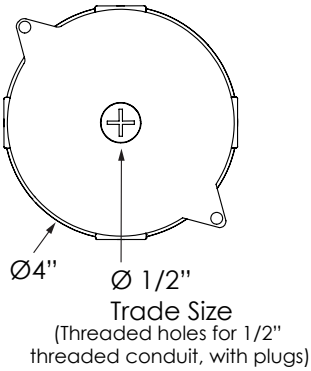
For wall or ceiling installation.
NOT for use in upright pier mount.



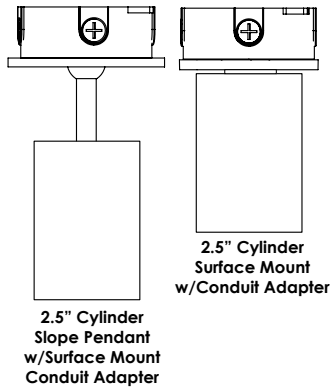
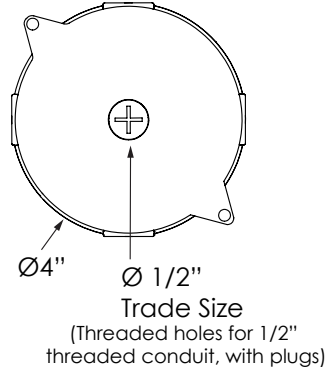
**SURFACE MOUNT
CONDUIT ADAPTER**
(for AC, CM, SF Cylinders)



**TOP VIEW
JUNCTION BOX**
(Hole Center Top)



**TOP VIEW
JUNCTION BOX**
(Hole Center Top)



**Surface Mount Conduit Adapter can be added to any
of the AC, CM, SF and SPM Mounts**

SSC2.5D Two and a Half Inch Round Seamless Indoor Cylinder

MRA Option

Mud Ring Adapter

