

Date: _____
Type: _____
Fixture: _____
Project: _____

Approved: _____

SSC2.5GR Two and a Half Inch Round Seamless Indoor Cylinder

Standard Remote or Premium Drivers with Optional Battery Backup and Glow Rings



- Frosted
- Amber
- Red
- Blue



(White Finish w/ Red Glow Ring Shown Above)

FEATURES

- Up to 1500 lumens (4000K)
- Multiple finish & glow ring color options
- No visible seams or fasteners
- Tool-less field interchangeable optics
- Quick twist-lock mounting
- Multiple housing colors
- 93 CRI with 2 SDCM

PERFORMANCE

- Beam Spread:** 15°, 20°, 50°, 60°
- CCT Options:** 2700K, 3000K, 3500K, 4000K
- CRI:** 93 CRI
- Consistency:** 2 SDCM (Luminaire to Luminaire)
- Lumens:** 500-1500 lumens (nominal)
- Lumen Maintenance:** L70 > 70,000 hours

PHYSICAL

Mounting: Aircraft cable, cord, slope pendant, surface, wall, yoke mounts with twist-lock canopy or through drywall using optional mud ring adapter.
Housing: No visible seams or fasteners, marine grade, corrosion resistant, solid aluminum extrusion, high pressure die-cast aluminum components, black baffle.
Finish: Six stage chemical iron phosphate conversion pre-treatment. Polyester powder coat finish, 18 µm minimum, 3,000 hour salt spray test (ASTM B117) AAMA 2603 specification.
Warranty: 5-Year limited warranty
Lens: IK07 impact compliant, acrylic glow ring
Ingress Protection: Dry or damp locations IP43 rated
Weight: 2-5 lbs (Depending on Length)
Operating Temperature: -22°F to 122°F (-30°C to 50°C)

ELECTRICAL

Voltage: Universal 120 - 277 VAC, 347 VAC optional
Power Supply: Integral Class II, electronic high-power factor >.90, THD < 20%, FCC Title 47 Part 15 Class A.
Power Consumption: Maximum 14W
Dimming: standard: 0-10V Dimming, 1%, optional: XA, ET, E1, E2, L1, L2
 *Other commercial grade systems can be subject to testing or approval via factory request (equipment by others).
Standards:
 • cETLus Listed, CE, NOM, and RoHS Compliant.
 • Tested to UL 1598 and UL 8750 standards / UL-Class I / IES LM-79 / LM-80 / FCC Part 15.

PHYSICAL DIMENSIONS

Luminaire	Height (H)	Cord (CM)	Surface Mount (SF)	Pendant (SPM)	Wall Mount (WM)	Yoke (Y)
SSC2.5-07	(6.75" + 0.45") 7.2" Total Height					
SSC2.5-10	(10" + 0.45") 10.45" Total Height					
SSC2.5-14	(14" + 0.45") 14.45" Total Height *Consult factory for any other height options.					

SSC2.5GR Two and a Half Inch Round Seamless Indoor Cylinder

PRODUCT CODE

EXAMPLE: SSC2.5GR-14-SPM18-UNV-930-10L-BKI-15-LD-GRR

MODEL	HEIGHT	MOUNTING	SUSP. LENGTH	VOLTAGE	COLOR	LUMENS	FINISH	OPTIC	DIMMING	OPTIONS	BACKUP
SSC2.5GR											

MODEL
SSC2.5GR
 LED DRIVER REMOTE (INDOOR)
 IP20, IK08, NEMA 1, -20°C to +50°C,
 30' MAX Distance with 12AWG

HEIGHT
7 (6.75"+ 0.45") 7.2" Total Height
10 (10"+ 0.45") 10.45" Total Height
14 (14"+ 0.45") 14.45" Total Height
 *Consult factory for any other height options.

MOUNTING
CM Cord Mount
SF Surface Mount
SPM Slope Pendant Mount
WM Wall Mount
Y Yoke (8" Max)

AC/CM/SPM SUSPENSION LENGTH
 Specify the optional suspension length in inches. (Top of luminaire to ceiling) (AC & CM 4"-120" Max, Field Adjustable) (SPM 18" Standard, 6"-120" Max; 61"-120" w/LD & ET Only and stem comes in 2 sections)
 *Consult factory & price guide for other lengths.

VOLTAGE
UNV Universal 120 - 277 VAC
347V 347 VAC (LD 0-10V Only) (SF, SPM, WM Only)

COLOR
927 (93CRI) 2700K
930 (93CRI) 3000K
935 (93CRI) 3500K
940 (93CRI) 4000K

LUMENS
05L 500 lm
10L 1000 lm
15L 1500 lm

FINISH
BKI Black
BRI Bronze
SLI Silver
WHI White
CCI Custom Color

OPTIC nominal
15 Spot (15°)
20 Narrow Flood (20°)
50 Flood (50°)
60 Wide Flood (60°)

DIMMING
ET ELV or TRIAC Driver
LD 0-10V Dimming, 1% (Standard)
XA DMX Dim to 0.1% (SPM and WM Only)
E1 eldoLED 0-10V, Dim to 0.1%, Dim-to-Off
E2 eldoLED DALI-2 Dim to 0.1%
L1 Lutron Hi-Lume 1% Ecosystem (Digital Dimming), Soft-on Fade-to-Black (10L-15L)
L2 Lutron Hi-Lume 1% 2-Wire (Forward Phase Dimming) (10L-15L)
 *Other commercial grade systems can be subject to testing or approval via factory request (equipment by others).

OPTIONS 1
GRF Glow Ring Frosted
GRR Glow Ring Red
GRA Glow Ring Amber
GRB Glow Ring Blue

OPTIONS 2
CO Surface Mount Conduit Adapter
MRA Mud Ring Adapter

BACKUP
BBUR BATTERY BACK-UP & LED DRIVER REMOTE (INDOOR), IP20, IK08, NEMA 1, 0°C to +48°C, 30' MAX Distance with 12AWG (w/UNV Option Only)
N/A (Leave blank if No Battery Backup Needed)

SSC2.5GR Two and a Half Inch Round Seamless Indoor Cylinder

LUMENS / WATTAGE nominal

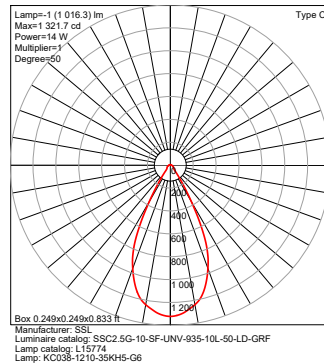
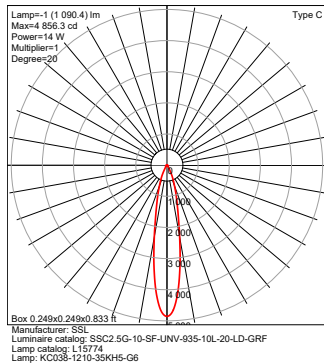
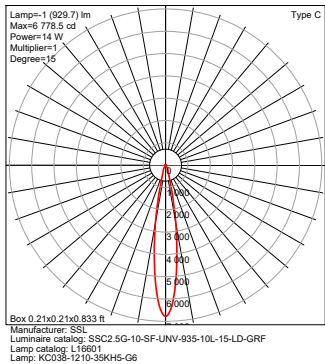
Model	Watts	935
SSC2.5GR	4 W	500 lm
	8.5 W	1000 lm
	14 W	1500 lm

IES Multiplier	
Color	Multiplier
927	0.95
930	0.98
935	1.00
940	1.01

TRIAC & ELV Approved Dimmer List	
Manufacturer	Manufacturer Part Number
Lutron	Glyder GLV-600
	Diva DVLV-600P
	Diva DV-600P
	Diva DVELV-600P(303)
	Maestro MALV-600
	Nova T NT-1000
	Nova T NTELV-600
Leviton	Skylark SLV-600P
	RadioRA2-10ND
	SureSlide 6633
illumatech IPE04	

0-10V Approved Dimmer List	
Manufacturer	Manufacturer Part Number
Lutron	Diva DVSTV-XX
	Diva DVSTV-453PH-WH1
Leviton	illumatech 010-IP710-DLZ

PHOTOMETRICS (Below photos and graphs are shown with frosted glow rings.)



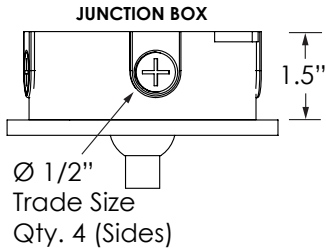
Due to continuous development and improvements, specifications are subject to change without notice. Product use certifies agreement to Solid State Luminaires terms and conditions.

SSC2.5GR Two and a Half Inch Round Seamless Indoor Cylinder

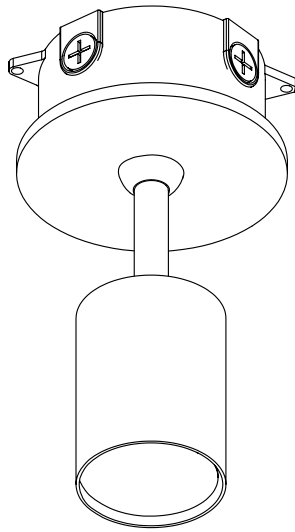
CO Option

Surface Mount Conduit Adapter

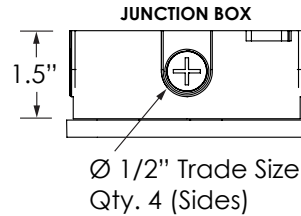
For wall or ceiling installation.
NOT for use in upright pier mount.



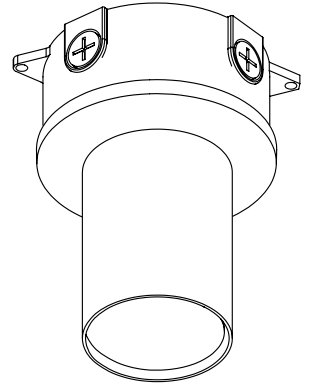
**SURFACE MOUNT
CONDUIT ADAPTER**
(for SPM Cylinders)



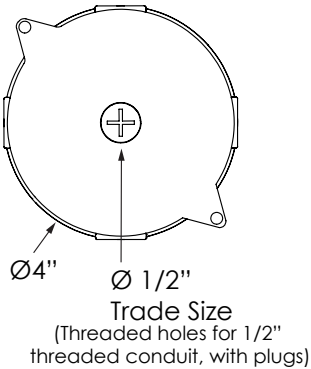
For wall or ceiling installation.
NOT for use in upright pier mount.



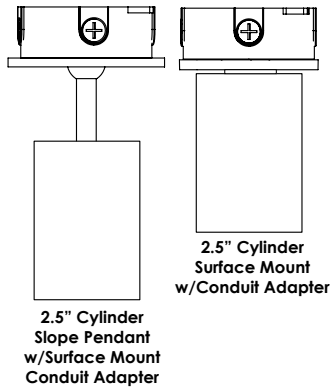
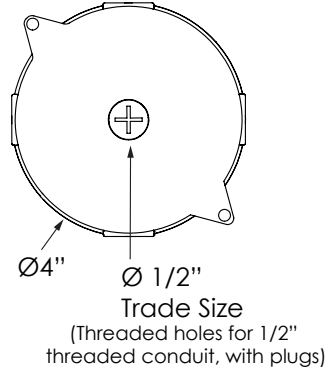
**SURFACE MOUNT
CONDUIT ADAPTER**
(for AC, CM, SF Cylinders)



**TOP VIEW
JUNCTION BOX**
(Hole Center Top)



**TOP VIEW
JUNCTION BOX**
(Hole Center Top)

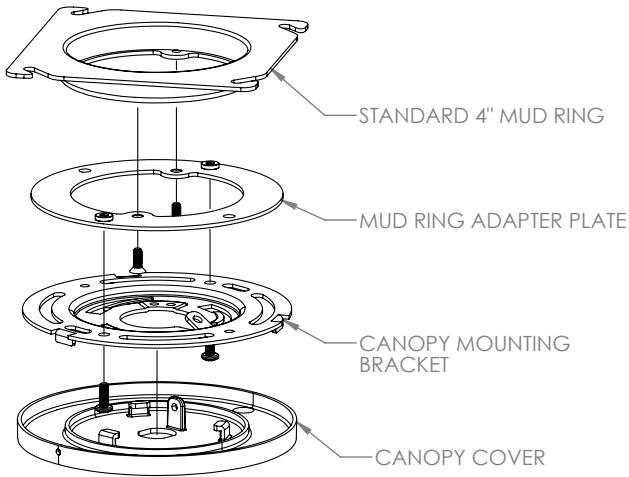


**Surface Mount Conduit Adapter can be added to any
of the AC, CM, SF and SPM Mounts**

SSC2.5GR Two and a Half Inch Round Seamless Indoor Cylinder

MRA Option

Mud Ring Adapter



BATTERY BACK-UPS

BBUR - BATTERY BACK-UP & LED DRIVER REMOTE (INDOOR), IP20, IK08, NEMA 1, 0°C to +48°C, 30' MAX Distance with 12AWG (w/UNV Option Only)

