

SSC2.5 Two and a Half Inch Round Seamless Indoor Cylinder

Standard Remote or Premium Drivers with Optional Battery Backup



FEATURES

- Up to 1500 lumens (4000K)
- No visible seams or fasteners
- Tool-less field interchangeable optics
- Quick twist-lock mounting
- Multiple housing colors
- 93 CRI with 2 SDCM

PERFORMANCE

Beam Spread: 15°, 25°, 50°, 60°
CCT Options: 2700K, 3000K, 3500K, 4000K, 5700K
CRI: 93 CRI
Consistency: 2 SDCM (Luminaire to Luminaire)
Lumens: 500 - 1500 lumens (nominal)
Lumen Maintenance: L70 > 70,000 hours

PHYSICAL

Mounting: Aircraft cable, cord, slope pendant, surface, wall, yoke mounts with twist-lock canopy or through drywall using optional mud ring adapter.
Housing: No visible seams or fasteners, marine grade, corrosion resistant, solid aluminum extrusion, high pressure die-cast aluminum components, black baffle.
Finish: Six stage chemical iron phosphate conversion pre-treatment. Polyester powder coat finish, 18 µm minimum, 3,000 hour salt spray test (ASTM B117) AAMA 2603 specification.
Warranty: 5-Year limited warranty
Lens: IK05 impact compliant, clear anti-glare tempered glass
Ingress Protection: Dry or damp locations IP43 rated
Weight: 2-5 lbs (Depending on Length)
Operating Temperature: -22°F to 122°F (-30°C to 50°C)

ELECTRICAL

Voltage: Universal 120 - 277 VAC, 347 VAC optional
Power Supply: Integral Class II, electronic high-power factor >.90, THD < 20%, FCC Title 47 Part 15 Class A.
Power Consumption: Maximum 14W
Dimming: standard: 0-10V Dimming, 1%, optional: XA, ET, E1, E2, L1, L2
Standards:
 • cETLus Listed, CE, NOM, and RoHS Compliant.
 • Tested to UL 1598 and UL 8750 standards / UL-Class I / IES LM-79 / LM-80 / FCC Part 15.

PHYSICAL DIMENSIONS

Luminaire	Height (H)	Cord (CM)	Surface Mount (SF)	Pendant (SPM)	Wall Mount (WM)	Yoke (Y)
SSC2.5-06	6.75" Height					
SSC2.5-08	8" Height					
SSC2.5-10	10" Height					
SSC2.5-12	12" Height					
SSC2.5-14	14" Height					
SSC2.5-16	16" Height					
SSC2.5-18	18" Height					
SSC2.5-20	20" Height					

SSC2.5 Two and a Half Inch Round Seamless Indoor Cylinder

PRODUCT CODE

EXAMPLE: SSC2.5R-6-SPM18-UNV-930-10L-BKI-10-ET

MODEL	HEIGHT	MOUNTING	SUSP. LENGTH	VOLTAGE	COLOR	LUMENS	FINISH	OPTIC	DIMMING	OPTIONS	BATTERY
SSC2.5R											

<p>MODEL</p> <p>SSC2.5R LED DRIVER REMOTE (INDOOR) IP20, IK08, NEMA 1, -20°C to +50°C, 30' MAX Distance with 12AWG</p> <p>HEIGHT</p> <p>6 6.75" Height 8 8" Height 10 10" Height 12 12" Height 14 14" Height 16 16" Height 18 18" Height 20 20" Height</p> <p>MOUNTING</p> <p>CM Cord Mount SF Surface Mount SPM Slope Pendant Mount WM Wall Mount Y Yoke (8" Max)</p> <p>CM/SPM SUSPENSION LENGTH</p> <p>Specify the optional suspension length in inches. (Top of luminaire to ceiling) (AC & CM 4"-120" Max, Field Adjustable) (SPM 18" Standard, 6"-120" Max; 61"-120" w/LD & ET Only and stem comes in 2 sections) *Consult factory & price guide for other lengths.</p> <p>VOLTAGE</p> <p>UNV Universal 120 - 277 VAC 347V 347 VAC (LD 0-10V Only) (SF, SPM, WM Only)</p>	<p>COLOR</p> <p>927 (93CRI) 2700K 930 (93CRI) 3000K 935 (93CRI) 3500K 940 (93CRI) 4000K 957 (93CRI) 5700K</p> <p>LUMENS nominal</p> <p>05L 500 lm 10L 1000 lm 15L 1500 lm</p> <p>FINISH</p> <p>BKI Black BRI Bronze SLI Silver WHI White CCI Custom Color</p>	<p>OPTIC nominal</p> <p>15 Spot (15°) 25 Narrow Flood (25°) 50 Flood (50°) 60 Wide Flood (60°)</p> <p>w/SOFT FIELD</p> <p>N/A (Leave Blank)</p> <p>DIMMING</p> <p>ET ELV or TRIAC Driver LD 0-10V Dimming, 1% (Standard) XA DMX Dim to 0.1% (Only 10L-15L) (SPM and WM Only) E1 eldoLED 0-10V, Dim to 0.1%, Dim-to-Off (Only 05L-15L) E2 eldoLED DALI-2 Dim to 0.1% (Only 05L-15L) L1 Lutron Hi-Lume 1% Ecosystem (Digital Dimming), Soft-on Fade-to-Black (10L-15L) L2 Lutron Hi-Lume 1% 2-Wire (Forward Phase Dimming) (10L-15L)</p> <p>OPTIONS</p> <p>CO Surface Mount Conduit Adapter MRA Mud Ring Adapter</p> <p>BATTERY</p> <p>BBUR BATTERY BACK-UP & LED DRIVER REMOTE (INDOOR), IP20, IK08, NEMA 1, 0°C to +48°C, 30' MAX Distance with 12AWG (w/UNV Option Only)</p>
--	---	---

SSC2.5 Two and a Half Inch Round Seamless Indoor Cylinder

LUMENS / WATTAGE nominal

Model	Watts	940
SSC2.5R	4 W	500 lm
	8.5 W	1000 lm
	14 W	1500 lm

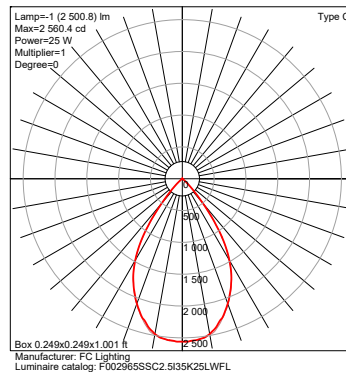
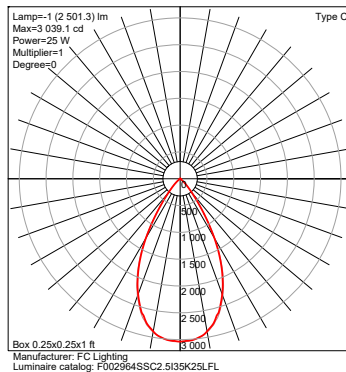
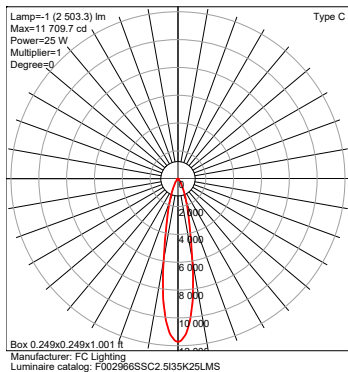
IES Multiplier	
Color	Multiplier
927	0.93
930	0.97
935	0.99
940	1.00

*83CRI±1.15 Consult factory.

TRIAC & ELV Approved Dimmer List	
Manufacturer	Manufacturer Part Number
Lutron	Glyder GLV-600
	Diva DVLV-600P
	Diva DV-600P
	Diva DVELV-600P(303)
	Maestro MALV-600
	Nova T NT-1000
	Nova T NTELV-600
Leviton	Skylark SLV-600P
	RadioRA2-10ND
	SureSlide 6633
	Illumatech IPE04

0-10V Approved Dimmer List	
Manufacturer	Manufacturer Part Number
Lutron	Diva DVSTV-XX
	Diva DVSTV-453PH-WH1
Leviton	Illumatech 010-IP710-DLZ

PHOTOMETRICS

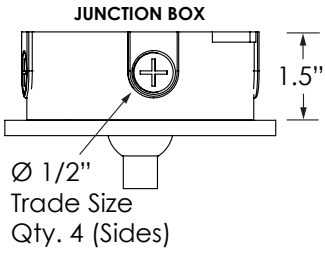


SSC2.5 Two and a Half Inch Round Seamless Indoor Cylinder

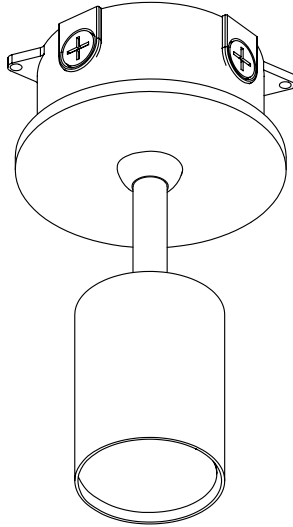
CO Option

Surface Mount Conduit Adapter

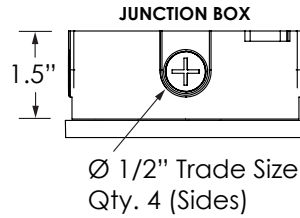
For wall or ceiling installation.
NOT for use in upright pier mount.



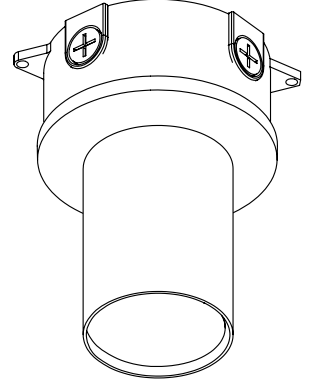
**SURFACE MOUNT
CONDUIT ADAPTER**
(for SPM Cylinders)



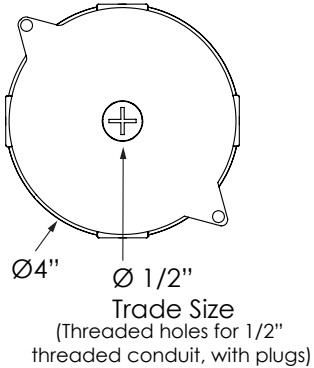
For wall or ceiling installation.
NOT for use in upright pier mount.



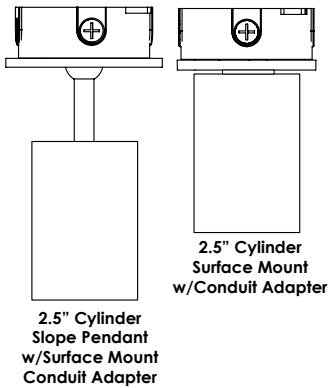
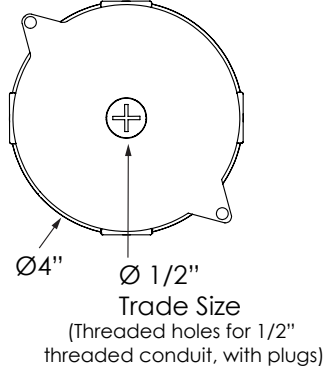
**SURFACE MOUNT
CONDUIT ADAPTER**
(for AC, CM, SF Cylinders)



**TOP VIEW
JUNCTION BOX**
(Hole Center Top)



**TOP VIEW
JUNCTION BOX**
(Hole Center Top)

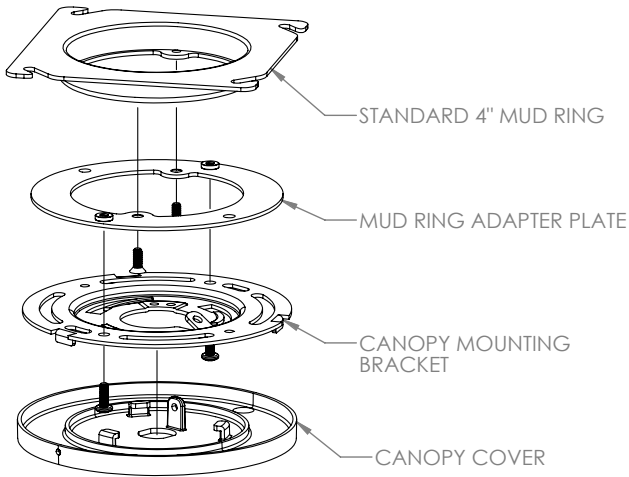


**Surface Mount Conduit Adapter can be added to any
of the AC, CM, SF and SPM Mounts**

SSC2.5 Two and a Half Inch Round Seamless Indoor Cylinder

MRA Option

Mud Ring Adapter



BATTERY BACK-UPS

BBUR - BATTERY BACK-UP & LED DRIVER REMOTE (INDOOR), IP20, IK08, NEMA 1, 0°C to +48°C, 30' MAX Distance with 12AWG (w/UNV Option Only)

