

Date: _____
 Type: _____
 Fixture: _____
 Project: _____

Approved: _____

SSC2.5 Two and a Half Inch Round Seamless Indoor Cylinder

Standard Drivers without Battery Backup

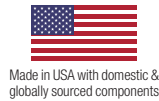


FEATURES

- Up to 1500 lumens (4000K)
- No visible seams or fasteners
- Tool-less field interchangeable optics
- Quick twist-lock mounting
- Multiple housing colors
- 93 CRI with 2 SDCM

PERFORMANCE

Beam Spread: 15°, 25°, 50°, 60°
CCT Options: 2700K, 3000K, 3500K, 4000K
CRI: 93 CRI
Consistency: 2 SDCM (Luminaire to Luminaire)
Lumens: 500 - 1500 lumens (typical)
Lumen Maintenance: L70 > 70,000 hours



PHYSICAL

Mounting: Aircraft cable, cord, slope pendant, surface, wall, yoke mounts with twist-lock canopy or through drywall using optional mud ring adapter.
Housing: No visible seams or fasteners, marine grade, corrosion resistant, solid aluminum extrusion, high pressure die-cast aluminum components, black baffle.
Finish: Six stage chemical iron phosphate conversion pre-treatment. Polyester powder coat finish, 18 µm minimum, 3,000 hour salt spray test (ASTM B117) AAMA 2603 specification.
Warranty: 5-Year limited warranty
Lens: IK05 impact compliant, clear anti-glare impact resistant optics
Ingress Protection: Dry or damp locations IP43 rated
Weight: 2-5 lbs (Depending on Length)
Operating Temperature: -22°F to 104°F (-30°C to 40°C)

ELECTRICAL

Voltage: Universal 120 - 277 VAC
Power Supply: Integral Class II, electronic high-power factor >.90, THD < 20%, FCC Title 47 Part 15 Class A.
Power Consumption: Maximum 19W
Dimming: Standard: Tri-Dim (1%, 0-10V, 120 - 277 VAC), (1%, TRIAC & ELV, 120 VAC Only)
Standards:
 • cETLus Listed, CE, NOM, and RoHS Compliant.
 • Tested to UL 1598 and UL 8750 standards / UL-Class I / IES LM-79 / LM-80 / FCC Part 15.

PHYSICAL DIMENSIONS

Luminaire	Height	Aircraft Cable (AC)	Cord (CM)	Surface Mount (SF)	Pendant Mount (SPM)	Wall Mount (WM)	Yoke (Y)
SSC2.5-06	6.75" Height						
SSC2.5-08	8" Height						
SSC2.5-10	10" Height						
SSC2.5-12	12" Height						
SSC2.5-14	14" Height						
SSC2.5-16	16" Height						
SSC2.5-18	18" Height						
SSC2.5-20	20" Height						

Due to continuous development and improvements, specifications are subject to change without notice. Product use certifies agreement to Solid State Luminaires terms and conditions.

SSC2.5 Two and a Half Inch Round Seamless Indoor Cylinder

PRODUCT CODE

EXAMPLE: SSC2.5-6-SPM18-UNV-930-05L-BKI-15-TD

MODEL	HEIGHT	MOUNTING	SUSP. LENGTH	VOLTAGE	COLOR	LUMENS	FINISH	OPTIC	DIMMING	OPTIONS	
SSC2.5				UNV					TD		
MODEL SSC2.5		HEIGHT 6 6.75" Height 8 8" Height 10 10" Height 12 12" Height 14 14" Height 16 16" Height 18 18" Height 20 20" Height		COLOR 927 (93CRI) 2700K 930 (93CRI) 3000K 935 (93CRI) 3500K 940 (93CRI) 4000K Other CCT/CRI available upon request.		LUMENS typical 05L 500 lm 10L 1000 lm (Minimum 8" H) 15L 1500 lm (Minimum 8" H)		OPTIC typical 15 Spot (15°) 25 Narrow Flood (25°) 50 Flood (50°) 60 Wide Flood (60°)		DIMMING TD Standard: Tri-Dim (1%, 0-10V, 120 - 277 VAC), (1%, TRIAC & ELV, 120 VAC Only)	
MOUNTING AC Aircraft Cable CM Cord Mount SF Surface Mount SPM Slope Pendant Mount WM Wall Mount Y Yoke (8" Maximum)		AC/CM/SPM SUSPENSION LENGTH Specify the optional cable suspension length in inches. (Top of luminaire to ceiling) (AC & CM 4"-120" Max, Field Adjustable) (SPM 18" Standard, 6"-120" Max; 61"-120" w/LD & ET only and stem comes in 2 sections) *Consult factory & price guide for other lengths.		FINISH BKI Black BRI Bronze SLI Silver WHI White CCI Custom Color		OPTIONS CO Surface Mount Conduit Adapter MRA Mud Ring Adapter					
VOLTAGE UNV Universal 120 - 277 VAC											

SSC2.5 Two and a Half Inch Round Seamless Indoor Cylinder

LUMENS / WATTAGE typical

Model	Watts	Lumens
SSC2.5	6.8 W	500 lm
	12 W	1000 lm
	19 W	1500 lm

Lifetime Calculations				
Model	L70	L70	L90	L90
	Calculated	Reported	Calculated	Reported
SSC2.5	125000	>60500	38200	38200

*Specific Lumen Output Lifetime available upon request.
 *All lifetimes based on B50.

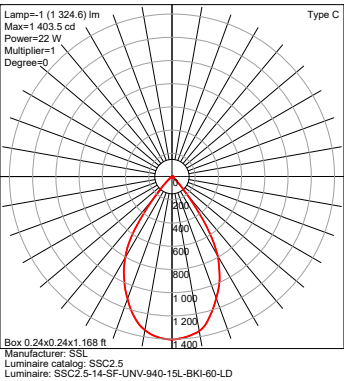
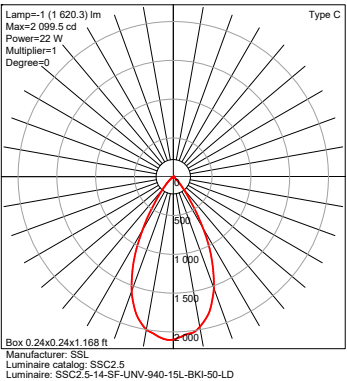
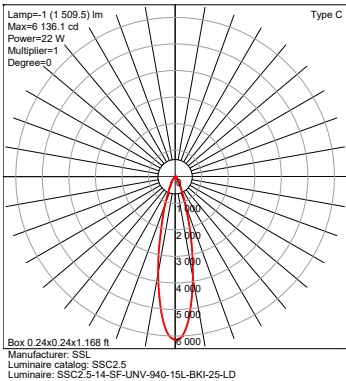
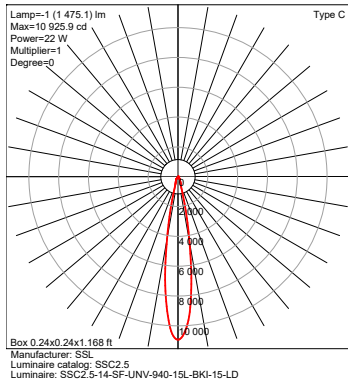
IES Multiplier	
Color	Multiplier
927	0.92
930	0.95
935	0.98
940	1.00

*83CRI@1.15 Consult factory.

TRIAC & ELV Approved Dimmer List	
Manufacturer	Manufacturer Part Number
Lutron	Glyder GLV-600
	Diva DVLV-600P
	Diva DV-600P
	Diva DVELV-600P(303)
	Maestro MALV-600
	Nova T NT-1000
	Nova T NTELV-600
Leviton	Skylark SLV-600P
	RadioRA2-10ND
	SureSlide 6633 Illumatech IPE04

0-10V Approved Dimmer List	
Manufacturer	Manufacturer Part Number
Lutron	Diva DVSTV-XX
	Diva DVSTV-453PH-WH1
Leviton	Illumatech 010-IP710-DLZ

PHOTOMETRICS

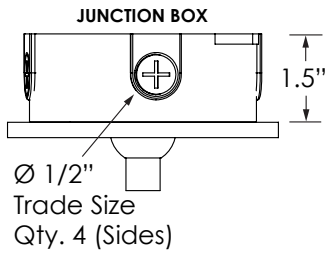


SSC2.5 Two and a Half Inch Round Seamless Indoor Cylinder

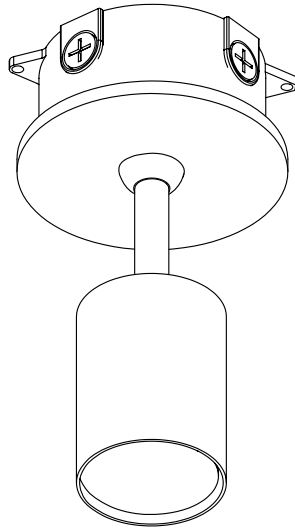
CO Option

Surface Mount Conduit Adapter

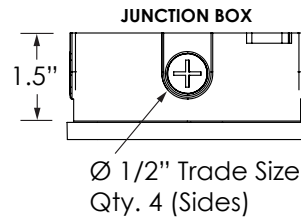
*For wall or ceiling installation.
NOT for use in upright pier mount.*



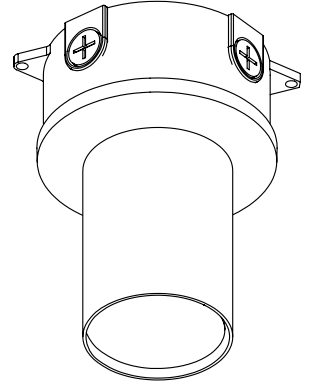
**SURFACE MOUNT
CONDUIT ADAPTER**
(for SPM Cylinders)



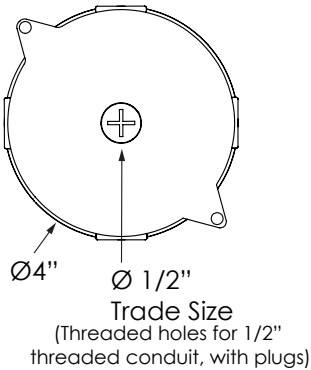
*For wall or ceiling installation.
NOT for use in upright pier mount.*



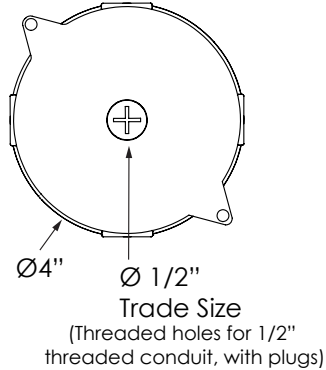
**SURFACE MOUNT
CONDUIT ADAPTER**
(for AC, CM, SF Cylinders)



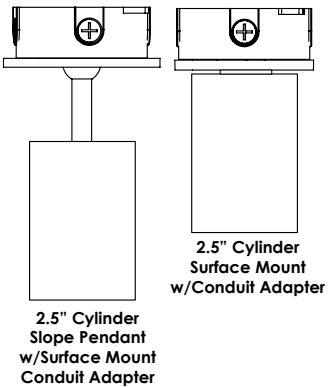
**TOP VIEW
JUNCTION BOX**
(Hole Center Top)



**TOP VIEW
JUNCTION BOX**
(Hole Center Top)



**Surface Mount Conduit Adapter can be added to any
of the AC, CM, SF and SPM Mounts**



SSC2.5 Two and a Half Inch Round Seamless Indoor Cylinder

MRA Option

Mud Ring Adapter

