

Date: _____

Type: _____

Fixture: _____

Project: _____

Approved: _____

SSC2s Two-Inch Round Seamless Indoor Cylinder

Architectural Cylinders



(SSC2s8.5-WHI-BB on left,
SSC2s10.5-SLI-GRB center,
SSC2s10.5-WHI-GB on right)



FEATURES

- Up to 900 lumens (4000K)
- Seamless design
- Tri-Dim 0-10V 1% TRIAC & ELV (Standard)
- Multiple housing colors
- Optically clear, high impact optic
- 93 CRI with 2 SDCM
- Glow ring and adjustable baffle options

PERFORMANCE

Beam Spread: 20°, 30°, 40°, 50°
CCT Options: 2700K, 3000K, 3500K, 4000K
CRI: 93 CRI
Consistency: 2 SDCM (Luminaire to Luminaire)
Lumens: 900 lumens (nominal)
Lumen Maintenance: L70 > 70,000 hours

PHYSICAL

Mounting: Surface and cord mounts, die cast aluminum twist-lock canopy mounts to standard Octagon J-Box or through drywall using optional mud ring adapter.

Housing: No visible seams or fasteners, marine grade, corrosion resistant, solid aluminum extrusion, high pressure die-cast aluminum components, machined gold or black adjustable baffle with optional glow rings.

Finish: Six stage chemical iron phosphate conversion pre-treatment. Polyester powder coat finish, 18 µm minimum, 3,000 hour salt spray test (ASTM B117) AAMA 2603 specification.

Warranty: 5-Year limited warranty

Optic: Optically clear, anti-glare, high impact resistant plastic

Ingress Protection: Dry or damp locations IP43 rated

Impact Resistance: IK08 Rated

Weight: 2-3 (Depending on Length)

ELECTRICAL

Voltage: Universal 120 - 277 VAC

Power Supply: Integral Class II, electronic high-power factor >.90, THD < 20%, FCC Title 47 Part 15 Class A.

Power Consumption: Maximum 11W

Dimming: Standard: Tri-Dim (0-10V 1% Dimming, TRIAC & ELV)

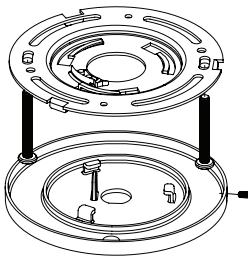
Standards:

- cETLus Listed, CE, NOM, and RoHS Compliant.
- Location listed for ceiling mount IP43 Ingress protection.
- IK08 (IEC6226) Impact resistance rated.
- IESNA LM79 Photometric testing by NVLAP accredited test lab.
- IESNA LM80 LED testing by NVLAP accredited test lab.
- IESNA TM21 Luminaire lumen depreciation projection to > 70,000 hours.

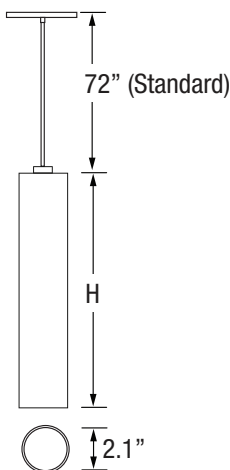
PHYSICAL DIMENSIONS

Luminaire	Height (H)
SSC2s-8.5	8.5"
SSC2s-10.5	10.5"

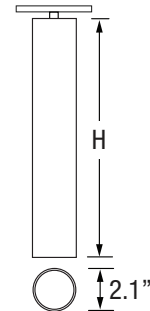
Twist-lock Canopy



Cord (CM)



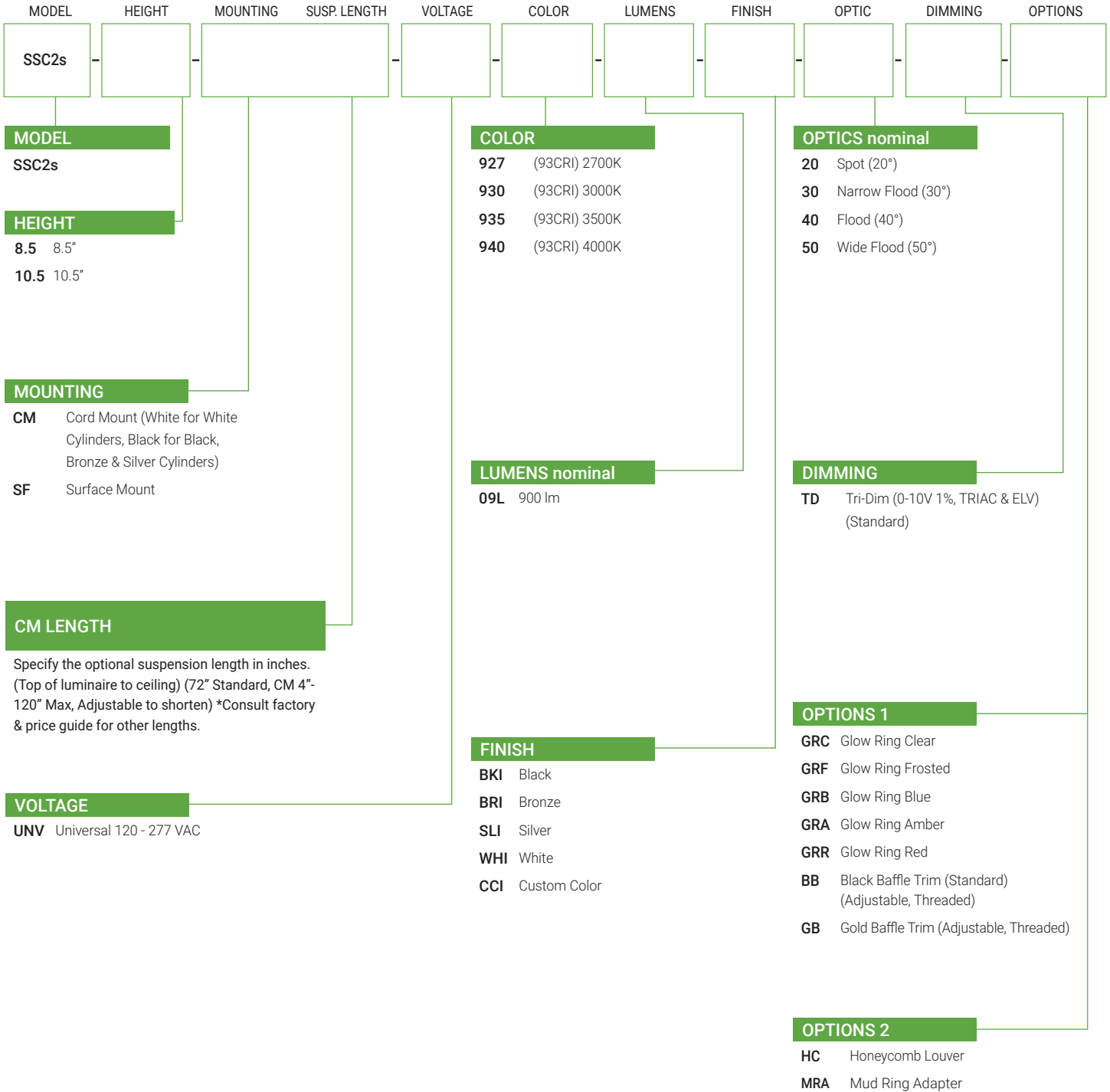
Surface Mount (SF)



SSC2s Two Inch Round Seamless Indoor Cylinder

PRODUCT CODE

EXAMPLE: SSC2s-8.5-CM72-UNV-927-09L-BKI-20-TD-GRC



SSC2s Two Inch Round Seamless Indoor Cylinder

LUMENS / WATTAGE nominal

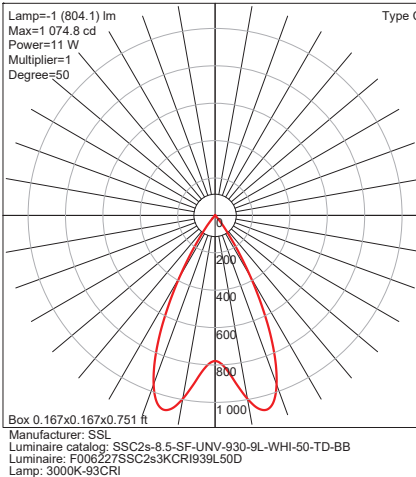
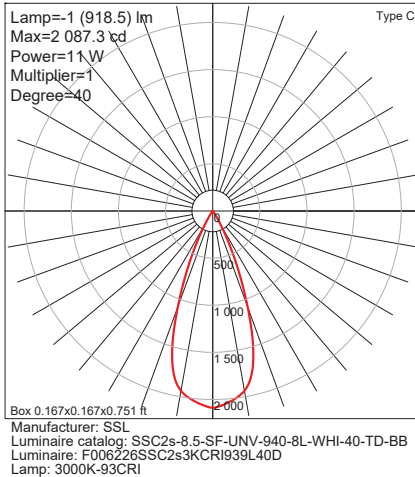
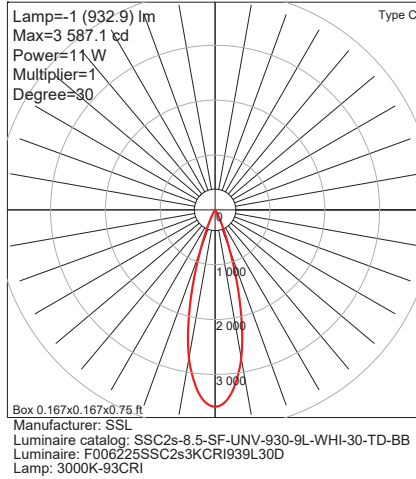
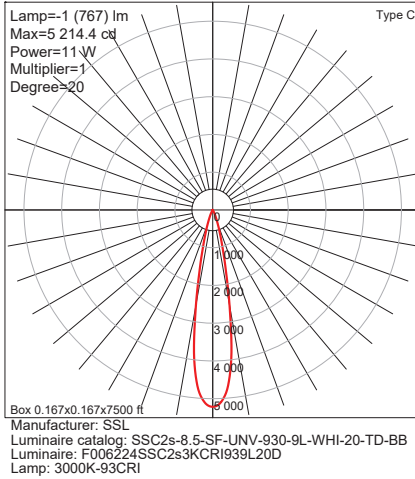
Model	Watts	930
SSC2s	11W	900 lm

IES Multiplier	
Color	Multiplier
927	0.96
930	1.00
935	1.01
940	1.02

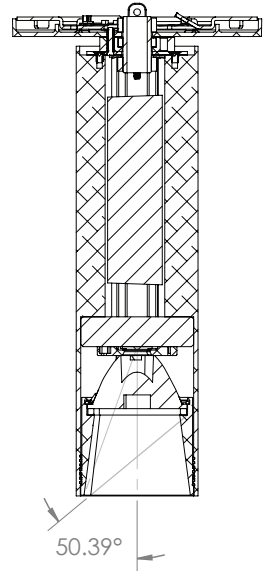
TRIAC & ELV Approved Dimmer List	
Manufacturer	Manufacturer Part Number
Lutron	Glyder GLV-600
	Diva DVLV-600P
	Diva DV-600P
	Diva DVELV-600P(303)
	Maestro MALV-600
	Nova T NT-1000
	Nova T NTELV-600
Leviton	Skylark SLV-600P
	RadioRA2-10ND
	SureSlide 6633 Illumatech IPE04

0-10V Approved Dimmer List	
Manufacturer	Manufacturer Part Number
Lutron	Diva DVSTV-XX
	Diva DVSTV-453PH-WH1
Leviton	Illumatech 010-IP710-DLZ

PHOTOMETRICS



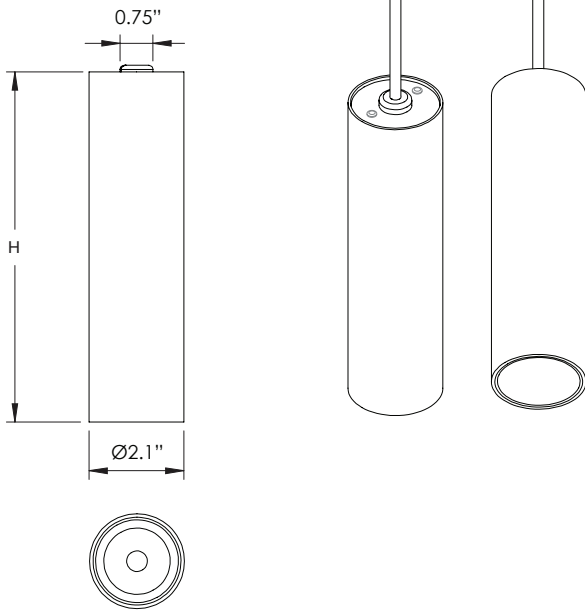
VISIBLE CUT OFF ANGLE



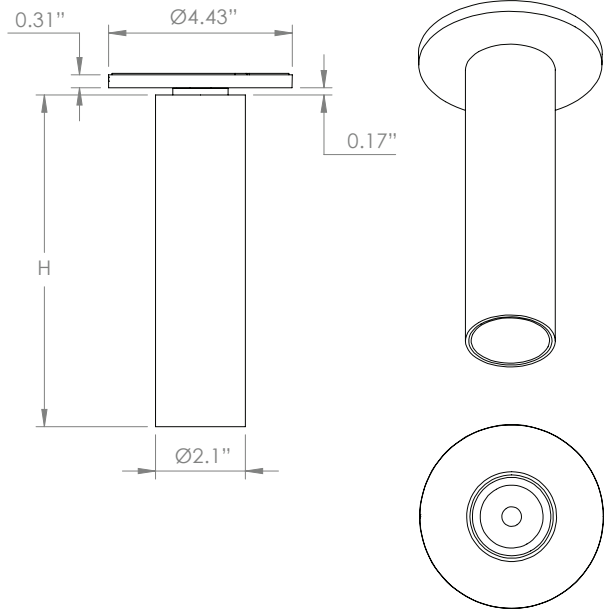
SSC2s Two Inch Round Seamless Indoor Cylinder

MOUNTING OPTIONS

CM - Cord Mount (White for White Cylinders, Black for Black, Bronze & Silver Cylinders)

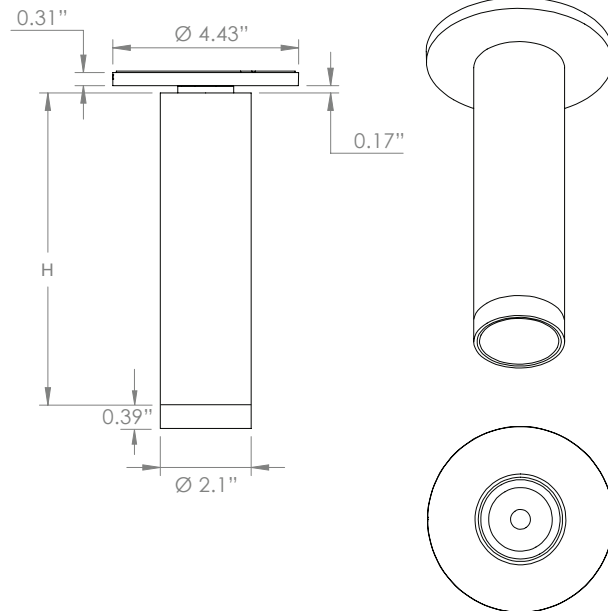
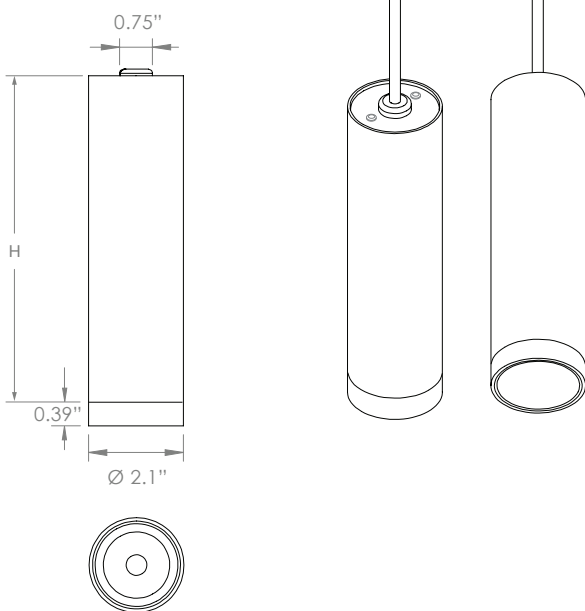


SF - Surface Mount



OPTIONS

GR - Glow Ring



SSC2s Two Inch Round Seamless Indoor Cylinder

MRA Option

Mud Ring Adapter

