





Date: _____
 Type: _____
 Fixture: _____
 Project: _____

Approved: _____

SSC4D Four-Inch Round Seamless Indoor Cylinder

Standard Drivers with Drop Diffusers



- Frosted 
- Amber 
- Red 
- Blue 

FEATURES

- Multiple finish & drop diffuser color options
- Up to 4000 lumens (4000K)
- No visible seams or fasteners
- Quick twist-lock mounting
- 93 CRI with 2 SDCM

PERFORMANCE

- Beam Spread:** 15°, 25°, 35°
- CCT Options:** 2700K, 3000K, 3500K, 4000K
- CRI:** 93 CRI
- Consistency:** 2 SDCM (Luminaire to Luminaire)
- Lumens:** 500 - 4000 lumens (nominal)
- Lumen Maintenance:** L70 > 70,000 hours



(Silver Finish w/ Amber Drop Diffuser Shown Above)



PHYSICAL

Mounting: Aircraft cable, cord, slope pendant, surface, wall mounts with twist-lock canopy. Twist-lock canopy mounts to standard Octagon J-Box or through drywall using optional mud ring adapter.

Housing: No visible seams or fasteners, marine grade, corrosion resistant, solid aluminum extrusion, high pressure die-cast aluminum components, colored baffle.

Finish: Six stage chemical iron phosphate conversion pre-treatment. Polyester powder coat finish, 18 µm minimum, 3,000 hour salt spray test (ASTM B117) AAMA 2603 specification.

Warranty: 5-Year limited warranty

Lens: IK07 impact compliant, clear anti-glare tempered glass. Acrylic drop diffuser.

Ingress Protection: Dry or damp locations IP43 rated

Weight: 3-7 lbs (Depending on Length)

Operating Temperature: -22°F to 104°F (-30°C to 40°C)

ELECTRICAL

Voltage: Universal 120-277 VAC, 347 VAC optional (10" Height or greater)

Power Supply: Integral Class II, electronic high-power factor >.90, THD < 20%, FCC Title 47 Part 15 Class A.

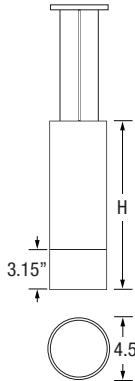
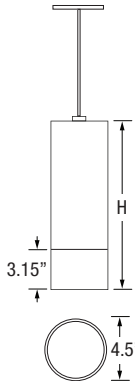
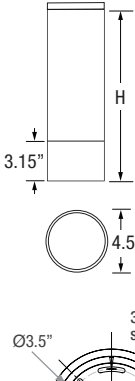
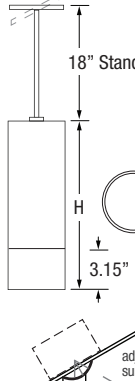
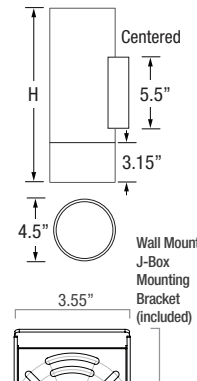
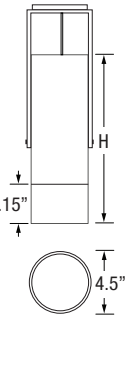
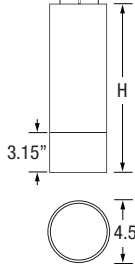
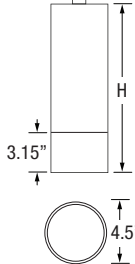
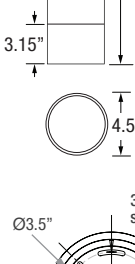
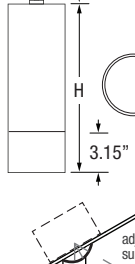
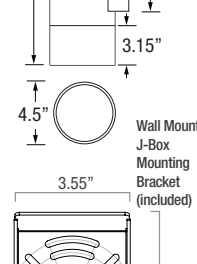
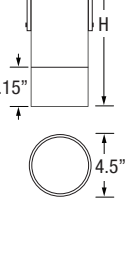
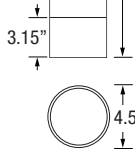
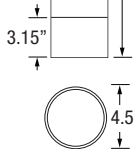
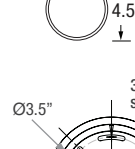
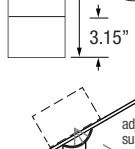
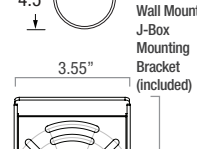
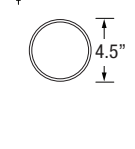
Power Consumption: Maximum 55W

Dimming: **standard:** 0-10V Dimming, 1%, **optional:** ET, *Other commercial grade systems can be subject to testing or approval via factory request (equipment by others).

Standards:

- cETLus Listed, CE, NOM, and RoHS Compliant.
- Tested to UL 1598 and UL 8750 standards / UL-Class I / IES LM-79 / LM-80 / FCC Part 15.

PHYSICAL DIMENSIONS

Luminaire	Height (H)	Aircraft Cable (AC)	Cord (CM)	Surface Mount (SF)	Pendant (SPM)	Wall Mount (WM)	Yoke (Y)
SSC4-10	(6.75"+ 3.15") 9.9" Total Height						
SSC4-13	(10"+ 3.15") 13.15" Total Height						
SSC4-17	(14"+ 3.15") 17.15" Total Height						

Due to continuous development and improvements, specifications are subject to change without notice. Product use certifies agreement to Solid State Luminaires terms and conditions.

Date: _____
 Type: _____
 Fixture: _____
 Project: _____

Approved: _____

SSC4D Four-Inch Round Seamless Indoor Cylinder

PRODUCT CODE

EXAMPLE: SSC4D-17-SPM18-UNV-930-10L-BKI-15-LD-DDR

MODEL	HEIGHT	MOUNTING	SUSP. LENGTH	VOLTAGE	COLOR	LUMENS	FINISH	OPTIC	DIMMING	OPTIONS
SSC4D										

<p>MODEL SSC4D</p> <p>HEIGHT 10 (6.75" + 3.15") 9.9" Total Height 13 (10" + 3.15") 13.15" Total Height 17 (14" + 3.15") 17.15" Total Height *Consult factory for any other height options.</p> <p>MOUNTING AC Aircraft Cable CM Cord Mount SF Surface Mount SPM Slope Pendant Mount WM Wall Mount Y Yoke (13" Max)</p> <p>AC/CM/SPM SUSPENSION LENGTH Specify the optional suspension length in inches. (Top of luminaire to ceiling) (AC & CM 4"-120" Max, Field Adjustable) (SPM 18" Standard, 6"-120" Max; 61"-120" w/LD & ET Only and stem comes in 2 sections) *Consult factory & price guide for other lengths.</p> <p>VOLTAGE UNV Universal 120 - 277 VAC 347V* 347 VAC (Only SF, SPM, WM Mounts) (0-10V LD Dim Only) (Minimum 13" H, 20L-30L for 15° only) (20L-35L only for others)</p>	<p>COLOR 927 (93CRI) 2700K 930 (93CRI) 3000K 935 (93CRI) 3500K 940 (93CRI) 4000K Other CCT/CRI available upon request.</p> <p>LUMENS nominal 05L 500 lm 10L 1000 lm 15L 1500 lm 20L 2000 lm 25L 2500 lm (Minimum 13" H) 30L 3000 lm (Minimum 13" H) 35L 3500 lm (Minimum 13" H) 40L 4000 lm (Minimum 13" H)* *40L Minimum 17" H for 15° only</p> <p>FINISH BKI Black BRI Bronze SLI Silver WHI White CCI Custom Color</p>	<p>OPTIC nominal 15 Spot (15°) 25 Narrow Flood (25°) 35 Flood (35°)</p> <p>DIMMING LD 0-10V Dimming, 1% ET ELV or TRIAC Driver (Max 30L for 15°, Max 35L for others) *Other commercial grade systems can be subject to testing or approval via factory request (equipment by others).</p> <p>OPTIONS 1 DDF Drop Diffuser Frosted DDR Drop Diffuser Red DDA Drop Diffuser Amber DDB Drop Diffuser Blue</p> <p>OPTIONS 2 CO Surface Mount Conduit Adapter MRA Mud Ring Adapter BRB Bronze Baffle Finish (Black finish standard) SLB Silver Baffle Finish (Black finish standard) WHB White Baffle Finish (Black finish standard)</p>
---	--	---

Due to continuous development and improvements, specifications are subject to change without notice. Product use certifies agreement to Solid State Luminaires terms and conditions.

SSC4D Four-Inch Round Seamless Indoor Cylinder

LUMENS / WATTAGE nominal

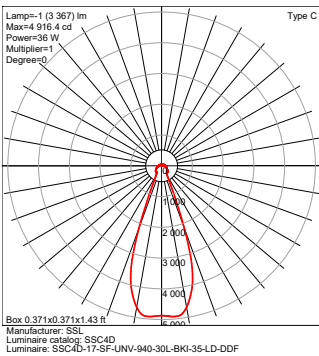
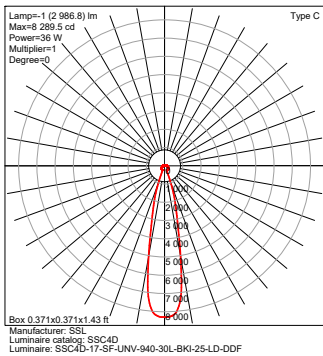
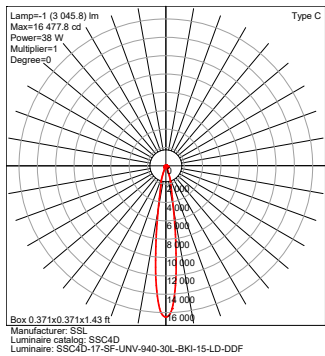
Model	Watts	940
SSC4D	6.4 W	500 lm
15° only	12 W	1000 lm
	17 W	1500 lm
	24 W	2000 lm
	32 W	2500 lm
	38 W	3000 lm
	48 W	3500 lm
	55 W	4000 lm
	Others	6.3 W
	12 W	1000 lm
	17 W	1500 lm
	23 W	2000 lm
	30 W	2500 lm
	36 W	3000 lm
	42 W	3500 lm
	49 W	4000 lm

IES Multiplier	
Color	Multiplier
927	0.92
930	0.95
935	0.98
940	1.00

TRIAC & ELV Approved Dimmer List	
Manufacturer	Manufacturer Part Number
Lutron	Glyder GLV-600
	Diva DVLV-600P
	Diva DV-600P
	Diva DVELV-600P(303)
	Maestro MALV-600
	Nova T NT-1000
	Nova T NTELV-600
Leviton	Skylark SLV-600P
	RadioRA2-10ND
	SureSlide 6633
	Illumatech IPE04

0-10V Approved Dimmer List	
Manufacturer	Manufacturer Part Number
Lutron	Diva DVSTV-XX
	Diva DVSTV-453PH-WH1
Leviton	Illumatech 010-IP710-DLZ

PHOTOMETRICS (Below photos and graphs are shown with frosted drop diffusers.)



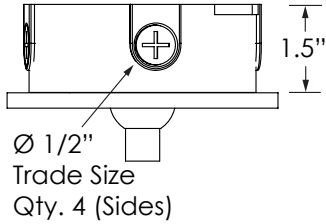
SSC4D Four-Inch Round Seamless Indoor Cylinder

CO Option

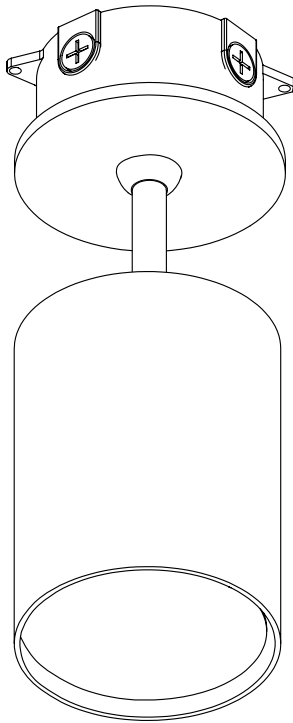
Surface Mount Conduit Adapter

For wall or ceiling installation.
NOT for use in upright pier mount.

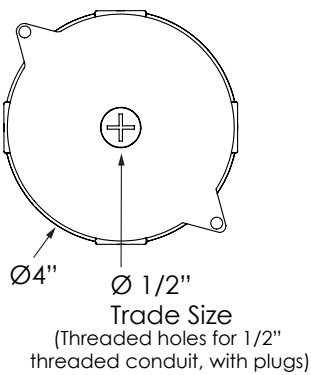
JUNCTION BOX



**SURFACE MOUNT
CONDUIT ADAPTER**
(for SPM Cylinders)

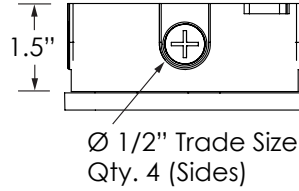


**TOP VIEW
JUNCTION BOX**
(Hole Center Top)

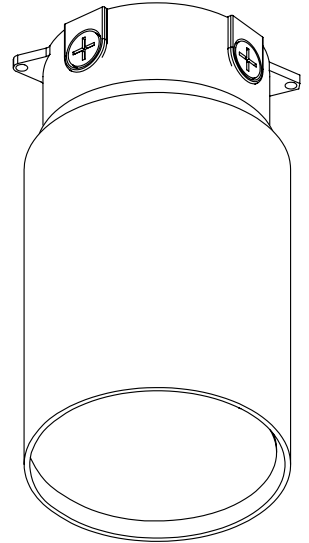


For wall or ceiling installation.
NOT for use in upright pier mount.

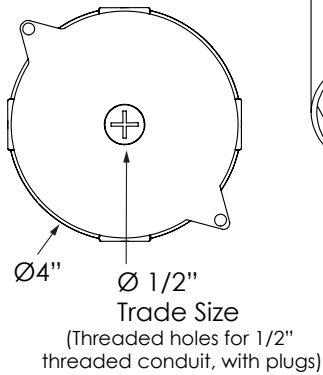
JUNCTION BOX



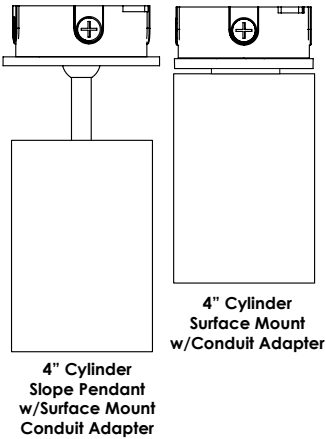
**SURFACE MOUNT
CONDUIT ADAPTER**
(for AC, CM, SF Cylinders)



**TOP VIEW
JUNCTION BOX**
(Hole Center Top)



**Surface Mount Conduit Adapter can be added to any
of the AC, CM, SF and SPM Mounts**



SSC4D Four-Inch Round Seamless Indoor Cylinder

MRA Option

Mud Ring Adapter

