



SSC4ES Indoor Cylinder

INTERIOR LIGHTING



SSC4ES Indoor Cylinder

The **SSC4ES Indoor Cylinder** is an ultra-clean engineered cylinder without visible seams or fasteners designed with marine grade, corrosion resistant, solid aluminum extrusion, high pressure die-cast aluminum components with a 4.5" diameter.

This cylinder is designed with light weight materials and a wide range of finishes in cord and surface mounts. **Ideal for high-rise buildings, apartments, condos, and assisted living at an economical price.**



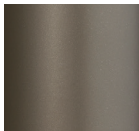
Features:

- IP54 Rated (Dry or Damp Locations)
- High Efficiency Direct 120VAC
- 3 SDCM / 83 CRI (Typical 85 CRI)
- Cord & Surface Mounts
- ET Dimming, 120V Only (Standard)
- Black, Bronze, Silver & White Finishes
- 5-Year Limited Warranty
- Up to 1100 lm at 14 Watts
- Easy "Twist and Lock" Installation

Finishes:



Black



Bronze



Silver



White



Made in USA with domestic & globally sourced components





Indoor cylinders engineered with an economical, clean design.

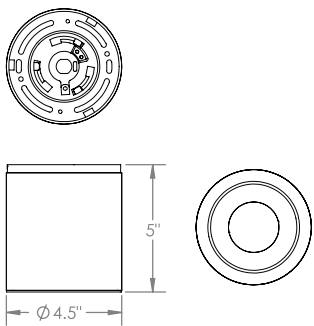
Ideal Applications Include:

- High-Rise Building
- Apartments and Condos
- Assisted Living
- Display Environments
- Hospitality
- Restaurants

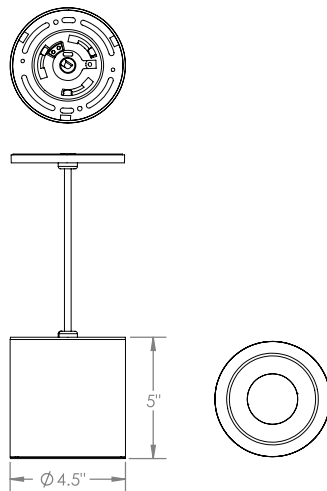


Dimensions:

Surface Mount (SF)



Cord Mount (CM)



- No Color over Angle
- No Striations
- Great Uniformity



SSC4ES-BRO
DH-11221