





Date: _____
 Type: _____
 Luminaire: _____
 Project: _____

Approved: _____

SSC4GR Four-Inch Round Seamless Indoor Cylinder

Remote Drivers and Battery Backup with Glow Rings



- Frosted 
- Amber 
- Red 
- Blue 

FEATURES

- Multiple finish & glow ring color options
- Up to 3500 lumens (4000K)
- No visible seams or fasteners
- Tool-less field interchangeable optics
- Quick twist-lock mounting
- 93 CRI with 2 SDCM

PERFORMANCE

Beam Spread: 15°, 25°, 40°, 60°
CCT Options: 2700K, 3000K, 3500K, 4000K, 5700K, TW, DW
CRI: 93 CRI
Consistency: 2 SDCM (Luminaire to Luminaire)
Lumens: 500 - 3500 lumens (typical)
Lumen Maintenance: L70 > 70,000 hours



(Silver Finish w/ Amber Glow Ring Shown Above)



PHYSICAL

Mounting: Aircraft cable, cord, slope pendant, surface, wall mounts with twist-lock canopy. Twist-lock canopy mounts to standard Octagon J-Box or through drywall using optional mud ring adapter.

Housing: No visible seams or fasteners, marine grade, corrosion resistant, solid aluminum extrusion, high pressure die-cast aluminum components, colored baffle.

Finish: Six stage chemical iron phosphate conversion pre-treatment. Polyester powder coat finish, 18 µm minimum, 3,000 hour salt spray test (ASTM B117) AAMA 2603 specification.

Warranty: 5-Year limited warranty

Lens: IK07 impact compliant, clear anti-glare tempered glass. Acrylic glow ring.

Ingress Protection: Dry or damp locations IP43 rated

Weight: 3-7 lbs (Depending on Length)

Operating Temperature: -22°F to 122°F (-30°C to 50°C)

ELECTRICAL

Voltage: Universal 120 - 277 VAC, 347 VAC optional

Power Supply: Integral Class II, electronic high-power factor >.90, THD < 20%, FCC Title 47 Part 15 Class A.

Power Consumption: Maximum 31W


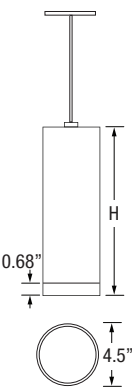
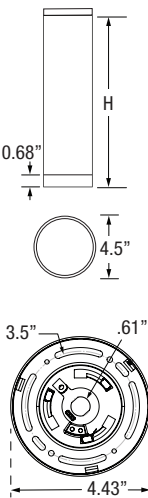
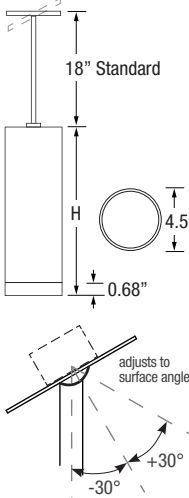
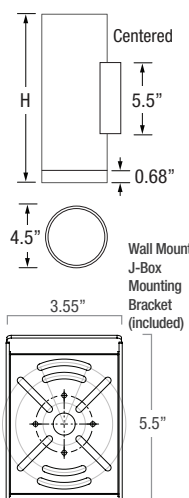
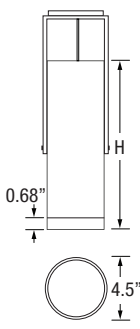
Dimming: standard: 0-10V Dimming, 1%, optional: ET, XA, E1, E2, L1, T1, W1

*Other commercial grade systems can be subject to testing or approval via factory request (equipment by others).

Standards:

- cETLus Listed, CE, NOM, and RoHS Compliant.
- Tested to UL 1598 and UL 8750 standards / UL-Class I / IES LM-79 / LM-80 / FCC Part 15.

PHYSICAL DIMENSIONS

Luminaire	Height (H)	Aircraft Cable (AC)	Cord (CM)	Surface Mount (SF)	Pendant (SPM)	Wall Mount (WM)	Yoke (Y)
SSC4-07	(6.75" + 0.68") 7.43" Total Height						
SSC4-11	(10" + 0.68") 10.68" Total Height						
SSC4-15	(14" + 0.68") 14.68" Total Height						
*Consult factory for any other height options.							

SSC4GR Four-Inch Round Seamless Indoor Cylinder

PRODUCT CODE

EXAMPLE: SSC4GR-15-SPM18-UNV-930-10L-BKI-15-LD-GRR

MODEL	HEIGHT	MOUNTING	SUSP. LENGTH	VOLTAGE	COLOR	LUMENS	FINISH	OPTIC	DIMMING	OPTIONS	BACKUP	
SSC4GR												
MODEL SSC4GR LED DRIVER REMOTE (INDOOR) IP20, IK08, NEMA 1, -20°C to +50°C, 30' MAX Distance with 12AWG	HEIGHT 7 (6.75"+ 0.68") 7.43" Total Height 11 (10"+ 0.68") 10.68" Total Height 15 (14"+ 0.68") 14.68" Total Height *Consult factory for any other height options.	MOUNTING AC Aircraft Cable CM Cord Mount SF Surface Mount SPM Slope Pendant Mount WM Wall Mount Y Yoke (12" Max)	AC/CM/SPM SUSPENSION LENGTH Specify the optional suspension length in inches. (Top of luminaire to ceiling) (AC & CM 4"-120" Max, Field Adjustable) (SPM 18" Standard, 6"-120" Max; 61"-120" w/LD & ET Only and stem comes in 2 sections) *Consult factory & price guide for other lengths.	VOLTAGE UNV Universal 120 - 277 VAC 347V 347 VAC (0-10V LD Dim Only) (SF, SPM, WM Only)	COLOR 927 (93CRI) 2700K 930 (93CRI) 3000K 935 (93CRI) 3500K 940 (93CRI) 4000K TW Tunable White (2700K-6500K) DW Dim-to-Warm (2700K-6500K) * For 97 CRI Consult Factory	LUMENS 05L 500 lm 10L 1000 lm 15L 1500 lm 20L 2000 lm 25L 2500 lm 30L 3000 lm (Min 11" H) 35L 3500 lm (Min 11" H)	FINISH BKI Black (AAMA 2603) BRI Bronze (AAMA 2603) SLI Silver (AAMA 2603) WHI White (AAMA 2603) CCI Custom Color (AAMA 2603)	OPTIC typical 15 Spot (15°) (Max 40L) 25 Narrow Flood (25°) 40 Flood (40°) 60 Wide Flood (60°)	DIMMING LD 0-10V Dimming, 1% (Standard) ET ELV or TRIAC Driver XA DMX Dim to 0.1% (Only 10L-50L) (SPM and WM Only) E1 eldoLED 0-10V, Dim to 0.1%, Dim-to-Off (Only 05L-35L) E2 eldoLED DALI-2 Dim to 0.1% (Only 05L-35L) L1 Lutron Hi-Lume 1% Ecosystem (Digital Dimming), Soft-on Fade-to-Black (10L-30L) T1 0.1%, 0-10V, Tunable White (Only TW) (10L-20L) (Not w/BBUR) W1 0.1%, 0-10V, Dim-to-Warm (Only DW) (10L-20L) (Not w/BBUR) *Other commercial grade systems can be subject to testing or approval via factory request (equipment by others).	OPTIONS 1 GRF Glow Ring Frosted GRR Glow Ring Red GRA Glow Ring Amber GRB Glow Ring Blue	OPTIONS 2 CO Surface Mount Conduit Adapter MRA Mud Ring Adapter BRB Bronze Baffle Finish (Black finish standard) SLB Silver Baffle Finish (Black finish standard) WHB White Baffle Finish (Black finish standard)	BACKUP BBUR BATTERY BACK-UP & LED DRIVER REMOTE (INDOOR), IP20, IK08, NEMA 1, 0°C to +48°C, 30' MAX Distance with 12AWG (w/UNV Option Only) N/A (Leave blank if No Battery Backup Needed)

SSC4GR Four-Inch Round Seamless Indoor Cylinder

LUMENS / WATTAGE typical

Model	Watts	935
SSC4GR	5 W	500 lm
	8 W	1000 lm
	13W	1500 lm
	18 W	2000 lm
	21 W	2500 lm
	26 W	3000 lm
	31 W	3500 lm

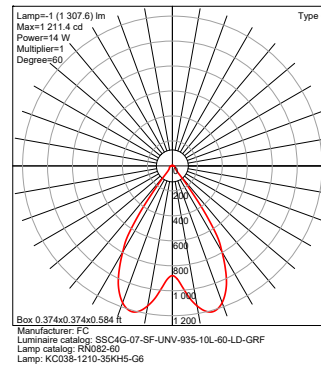
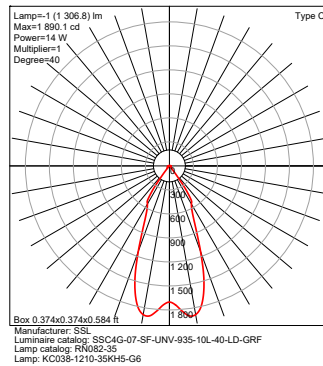
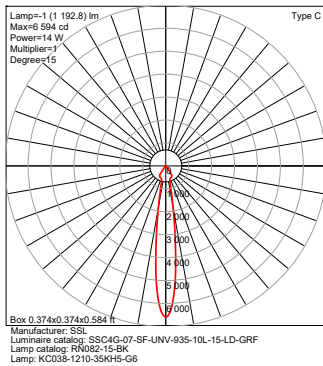
IES Multiplier	
Color	Multiplier
927	0.95
930	0.98
935	1.00
940	1.01

TRIAC & ELV Approved Dimmer List	
Manufacturer	Manufacturer Part Number
Lutron	Glyder GLV-600
	Diva DVLV-600P
	Diva DV-600P
	Diva DVELV-600P(303)
	Maestro MALV-600
	Nova T NT-1000
	Nova T NTELV-600
Leviton	Skylark SLV-600P
	RadioRA2-10ND
	SureSlide 6633
	Illuminatech IPE04

0-10V Approved Dimmer List	
Manufacturer	Manufacturer Part Number
Lutron	Diva DVSTV-XX
	Diva DVSTV-453PH-WH1
Leviton	Illuminatech O10-IP710-DLZ

PHOTOMETRICS

(Below photos and graphs are shown with frosted glow rings.)

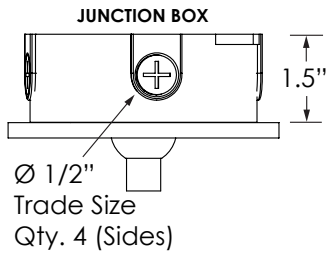


SSC4GR Four-Inch Round Seamless Indoor Cylinder

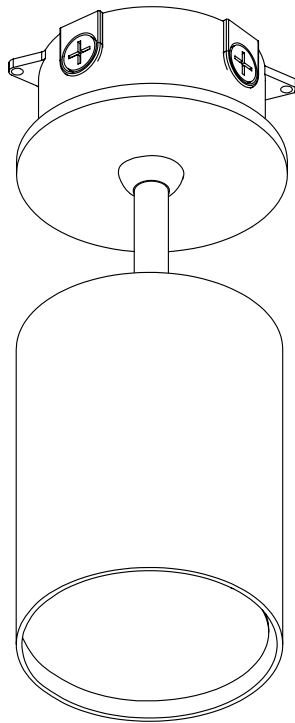
CO Option

Surface Mount Conduit Adapter

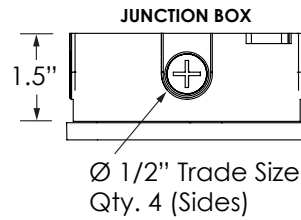
For wall or ceiling installation.
NOT for use in upright pier mount.



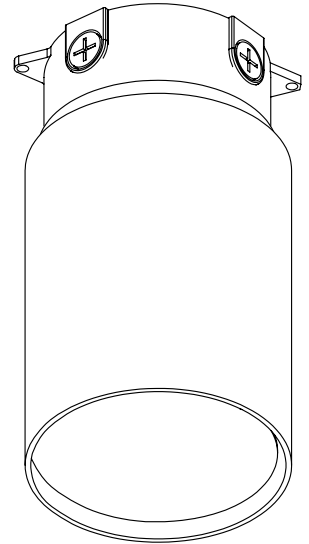
**SURFACE MOUNT
CONDUIT ADAPTER**
(for SPM Cylinders)



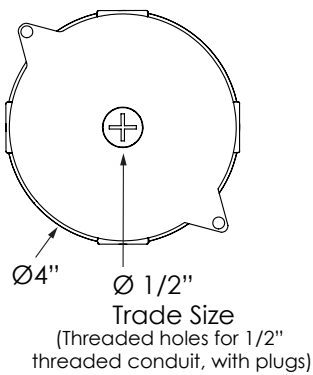
For wall or ceiling installation.
NOT for use in upright pier mount.



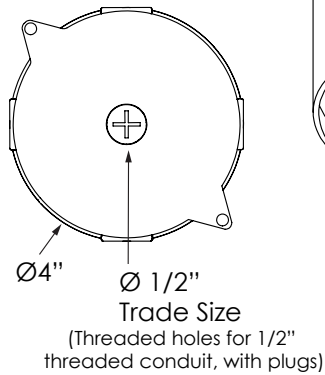
**SURFACE MOUNT
CONDUIT ADAPTER**
(for AC, CM, SF Cylinders)



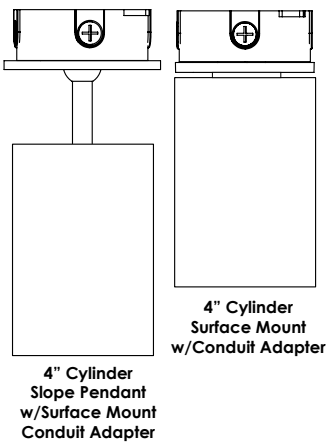
**TOP VIEW
JUNCTION BOX**
(Hole Center Top)



**TOP VIEW
JUNCTION BOX**
(Hole Center Top)



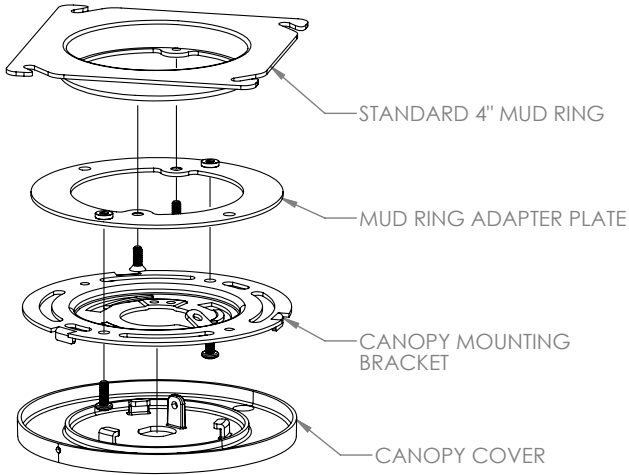
**Surface Mount Conduit Adapter can be added to any
of the AC, CM, SF and SPM Mounts**



SSC4GR Four-Inch Round Seamless Indoor Cylinder

MRA Option

Mud Ring Adapter



BATTERY BACK-UPS

BBUR - BATTERY BACK-UP & LED DRIVER REMOTE (INDOOR), IP20, IK08, NEMA 1, 0°C to +48°C, 30' MAX Distance with 12AWG (w/UNV Option Only)

