





SSC4G Four-Inch Round Seamless Indoor Cylinder

Standard Drivers with Glow Rings



- Frosted 
- Amber 
- Red 
- Blue 

FEATURES

- Multiple finish & glow ring color options
- Up to 5000 lumens (4000K)
- No visible seams or fasteners
- Quick twist-lock mounting
- 93 CRI with 2 SDCM

PERFORMANCE

- Beam Spread:** 15°, 25°, 40°, 60°
- CCT Options:** 2700K, 3000K, 3500K, 4000K
- CRI:** 93 CRI
- Consistency:** 2 SDCM (Luminaire to Luminaire)
- Lumens:** 500 - 5000 lumens (nominal)
- Lumen Maintenance:** L70 > 70,000 hours



(Silver Finish w/ Amber Glow Ring Shown Above)



PHYSICAL

Mounting: Aircraft cable, cord, slope pendant, surface, wall mounts with twist-lock canopy. Twist-lock canopy mounts to standard Octagon J-Box or through drywall using optional mud ring adapter.

Housing: No visible seams or fasteners, marine grade, corrosion resistant, solid aluminum extrusion, high pressure die-cast aluminum components, colored baffle.

Finish: Six stage chemical iron phosphate conversion pre-treatment. Polyester powder coat finish, 18 µm minimum, 3,000 hour salt spray test (ASTM B117) AAMA 2603 specification.

Warranty: 5-Year limited warranty

Lens: IK07 impact compliant, clear anti-glare tempered glass. Acrylic glow ring.

Ingress Protection: Dry or damp locations IP43 rated

Weight: 3-7 lbs (Depending on Length)

Operating Temperature: -22°F to 104°F (-30°C to 40°C)

ELECTRICAL

Voltage: Universal 120 - 277 VAC, 347 VAC optional (Minimum 10" Height)

Power Supply: Integral Class II, electronic high-power factor >.90, THD < 20%, FCC Title 47 Part 15 Class A.


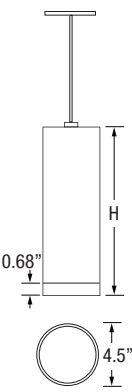
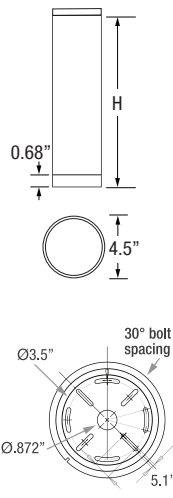
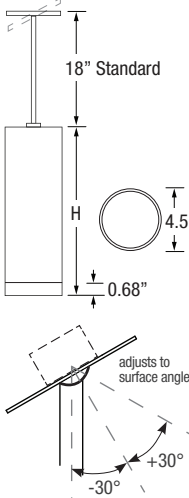
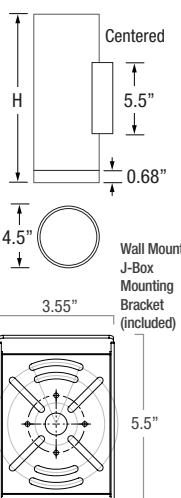
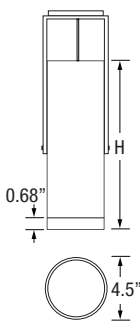
Power Consumption: Maximum 54W

Dimming: standard: 0-10V Dimming, 1%, optional: ET, *Other commercial grade systems can be subject to testing or approval via factory request (equipment by others).

Standards:

- cETLus Listed, CE, NOM, and RoHS Compliant.
- Tested to UL 1598 and UL 8750 standards / UL-Class I / IES LM-79 / LM-80 / FCC Part 15.

PHYSICAL DIMENSIONS

Luminaire	Height (H)	Aircraft Cable (AC)	Cord (CM)	Surface Mount (SF)	Pendant (SPM)	Wall Mount (WM)	Yoke (Y)
SSC4-07	(6.75" ± 0.68") 7.43" Total Height						
SSC4-11	(10" ± 0.68") 10.68" Total Height						
SSC4-15	(14" ± 0.68") 14.68" Total Height						

*Consult factory for any other height options.

Date: _____

Type: _____

Fixture: _____

Project: _____

Approved: _____

SSC4G Four-Inch Round Seamless Indoor Cylinder

PRODUCT CODE

EXAMPLE: SSC4G-15-SPM18-UNV-930-10L-BKI-15-LD-GRR

MODEL	HEIGHT	MOUNTING	SUSP. LENGTH	VOLTAGE	COLOR	LUMENS	FINISH	OPTIC	DIMMING	OPTIONS
SSC4G										

MODEL

SSC4G

HEIGHT

7 (6.75" + 0.68") 7.43" Total Height

11 (10" + 0.68") 10.68" Total Height

15 (14" + 0.68") 14.68" Total Height

*Consult factory for any other height options.

MOUNTING

AC Aircraft Cable

CM Cord Mount

SF Surface Mount

SPM Slope Pendant Mount

WM Wall Mount

Y Yoke (10.68" Max)

AC/CM/SPM SUSPENSION LENGTH

Specify the optional suspension length in inches. (Top of luminaire to ceiling) (AC & CM 4"-120" Max, Field Adjustable) (SPM 18" Standard, 6"-120" Max; 61"-120" w/LD & ET Only and stem comes in 2 sections) *Consult factory & price guide for other lengths.

VOLTAGE

UNV Universal 120 - 277 VAC

347V 347 VAC (Only SF, SPM, WM Mounts) (0-10V LD Dim Only) (Minimum 10.68" H, 20L-30L for 15° only) (25L-35L only for others)

COLOR

927 (93CRI) 2700K

930 (93CRI) 3000K

935 (93CRI) 3500K

940 (93CRI) 4000K

Other CCT/CRI available upon request.

LUMENS nominal

05L 500 lm

10L 1000 lm

15L 1500 lm

20L 2000 lm

25L 2500 lm (Minimum 11" H)

30L 3000 lm (Minimum 11" H)

35L 3500 lm (Minimum 11" H)

40L 4000 lm (Minimum 11" H)*

45L 4500 lm (Minimum 11" H)

50L 5000 lm (Minimum 15" H)

*(Minimum 15" H)

15 Spot (15°) (Max 40L)

FINISH

BKI Black

BRI Bronze

SLI Silver

WHI White

CCI Custom Color

OPTIC nominal

15 Spot (15°) (Max 40L)

25 Narrow Flood (25°)

40 Flood (40°)

60 Wide Flood (60°)

DIMMING

LD 0-10V Dimming, 1%

ET ELV or TRIAC Driver (Max 35L for 15°, Max 40L for others)

*Other commercial grade systems can be subject to testing or approval via factory request (equipment by others).

OPTIONS 1

GRF Glow Ring Frosted

GRR Glow Ring Red

GRA Glow Ring Amber

GRB Glow Ring Blue

OPTIONS 2

CO Surface Mount Conduit Adapter

MRA Mud Ring Adapter

BRB Bronze Baffle Finish (Black finish standard)

SLB Silver Baffle Finish (Black finish standard)

WHB White Baffle Finish (Black finish standard)

SSC4G Four-Inch Round Seamless Indoor Cylinder

LUMENS / WATTAGE nominal

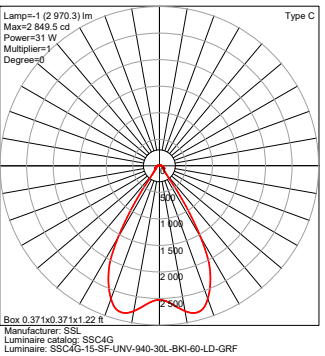
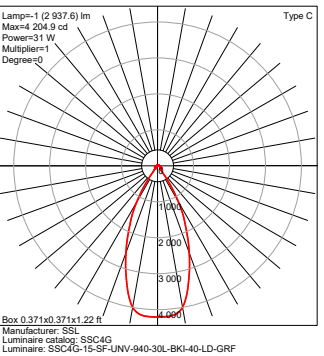
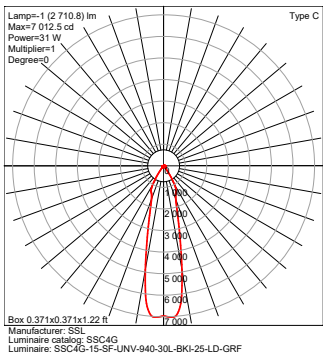
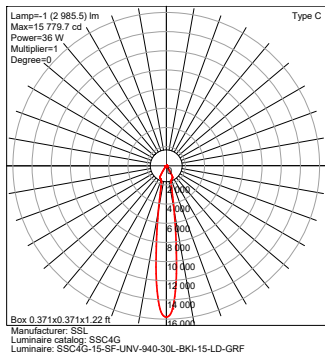
Model	Watts	940
SSC4G	6.4 W	500 lm
15° only	11 W	1000 lm
	17 W	1500 lm
	23 W	2000 lm
	30 W	2500 lm
	36 W	3000 lm
	46 W	3500 lm
	54 W	4000 lm
Others	6.3 W	500 lm
	10 W	1000 lm
	15 W	1500 lm
	20 W	2000 lm
	26 W	2500 lm
	31 W	3000 lm
	36 W	3500 lm
	43 W	4000 lm
	48 W	4500 lm
	54 W	5000 lm

IES Multiplier	
Color	Multiplier
927	0.92
930	0.95
935	0.98
940	1.00

TRIAC & ELV Approved Dimmer List	
Manufacturer	Manufacturer Part Number
Lutron	Glyder GLV-600
	Diva DVLV-600P
	Diva DV-600P
	Diva DVELV-600P(303)
	Maestro MALV-600
	Nova T NT-1000
	Nova T NTELV-600
Leviton	RadioRA2-10ND
	SureSlide 6633
	Illumatech IPE04

0-10V Approved Dimmer List	
Manufacturer	Manufacturer Part Number
Lutron	Diva DVSTV-XX
	Diva DVSTV-453PH-WH1
Leviton	Illumatech 010-IP710-DLZ

PHOTOMETRICS (Below photos and graphs are shown with frosted glow rings.)

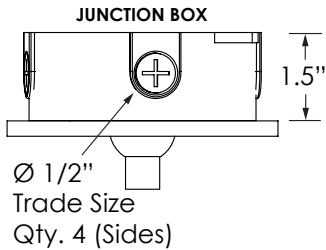


SSC4G Four-Inch Round Seamless Indoor Cylinder

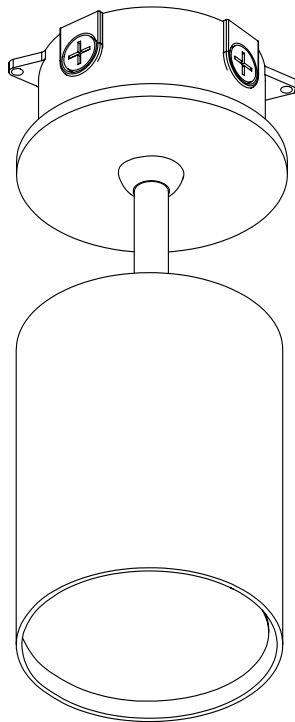
CO Option

Surface Mount Conduit Adapter

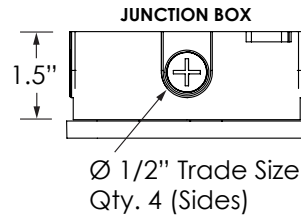
For wall or ceiling installation.
NOT for use in upright pier mount.



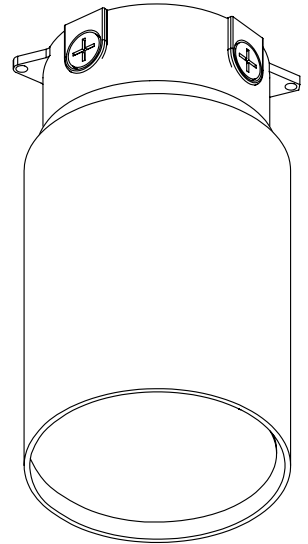
**SURFACE MOUNT
CONDUIT ADAPTER**
(for SPM Cylinders)



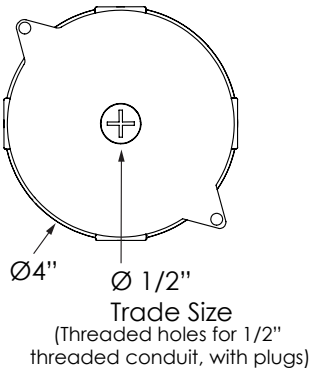
For wall or ceiling installation.
NOT for use in upright pier mount.



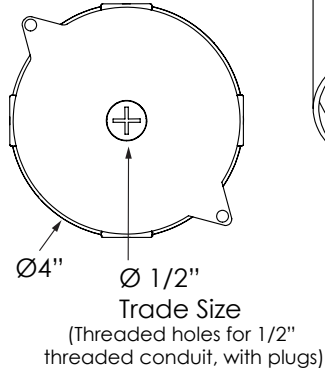
**SURFACE MOUNT
CONDUIT ADAPTER**
(for AC, CM, SF Cylinders)



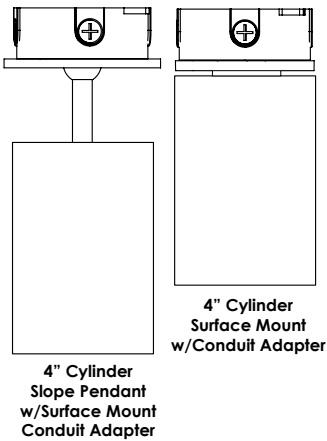
**TOP VIEW
JUNCTION BOX**
(Hole Center Top)



**TOP VIEW
JUNCTION BOX**
(Hole Center Top)



**Surface Mount Conduit Adapter can be added to any
of the AC, CM, SF and SPM Mounts**



SSC4G Four-Inch Round Seamless Indoor Cylinder

MRA Option

Mud Ring Adapter

