





SSC6D Six-Inch Round Seamless Indoor Cylinder

Integral Driver and Battery Backup with Drop Diffusers



- Frosted 
- Amber 
- Red 
- Blue 



(Silver Finish w/ Blue Drop Diffuser Shown Above)



FEATURES

- Multiple finish & drop diffuser color options
- Up to 5500 lumens (4000K)
- No visible seams or fasteners
- Tool-less field interchangeable optics
- Integral battery backup and integral driver
- 93 CRI with 2 SDCM

PERFORMANCE

- Beam Spread:** 15°, 25°, 40°
- CCT Options:** 2700K, 3000K, 3500K, 4000K, 5700K
- CRI:** 93 CRI
- Consistency:** 2 SDCM (Luminaire to Luminaire)
- Lumens:** 1000 - 5500 lumens (nominal)
- Lumen Maintenance:** L70 > 70,000 hours

PHYSICAL

Mounting: Aircraft cable, slope pendant, surface, wall, yoke mounts with twist-lock canopy. Twist-lock canopy mounts to standard Octagon J-Box or through drywall using optional mud ring adapter.

Housing: No visible seams or fasteners, marine grade, corrosion resistant, solid aluminum extrusion, high pressure die-cast aluminum components, colored baffle.

Lens: IK07 impact compliant, clear anti-glare tempered glass. Acrylic drop diffuser.

Finish: Six stage chemical iron phosphate conversion pre-treatment. Polyester powder coat finish, 18 µm minimum, 3,000 hour salt spray test (ASTM B117) AAMA 2603 specification.

Warranty: 5-Year limited warranty

Ingress Protection: Dry or damp locations IP43 rated

Weight: 4-10 lbs (Depending on Length)

Operating Temperature: -22°F to 122°F (-30°C to 50°C)

ELECTRICAL

Voltage: Universal 120 - 277 VAC

Power Supply: Integral Class II, electronic high-power factor >.90, THD < 20%, FCC Title 47 Part 15 Class A.

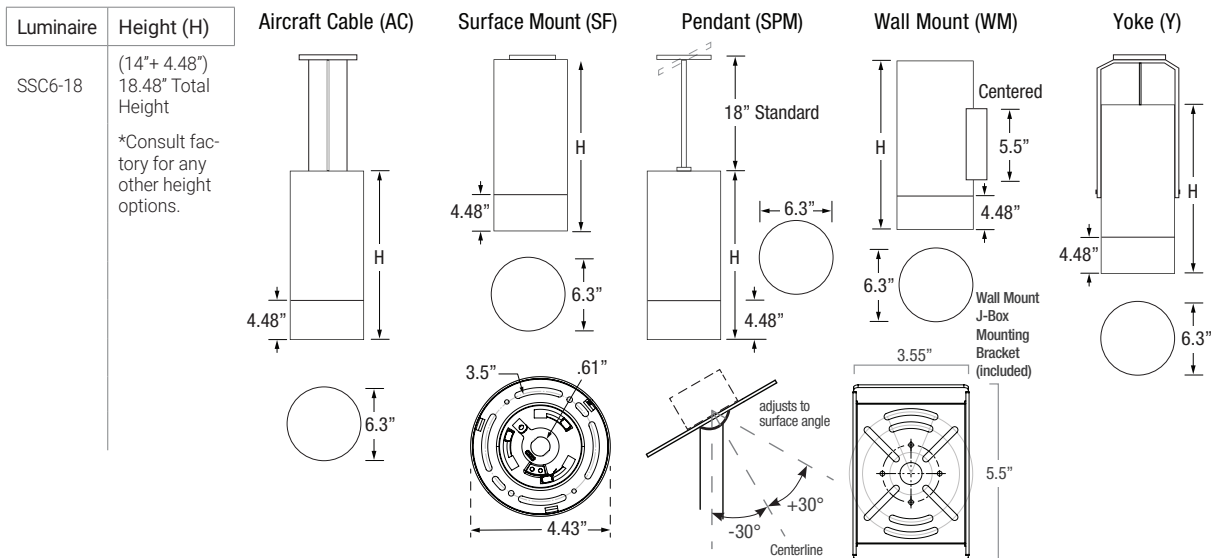
Power Consumption: Maximum 37W

Dimming: standard: 0-10V Dimming, 1%, optional: ET. *Other commercial grade systems can be subject to testing or approval via factory request (equipment by others).

Standards:

- cETLus Listed, CE, NOM, and RoHS Compliant.
- Tested to UL 1598 and UL 8750 standards / UL-Class I / IES LM-79 / LM-80 / FCC Part 15.

PHYSICAL DIMENSIONS



SSC6D Six-Inch Round Seamless Indoor Cylinder

PRODUCT CODE

EXAMPLE: SSC6D-SPM18-UNV-930-10L-BKI-15-LD-DDR

MODEL	HEIGHT	MOUNTING	SUSP. LENGTH	VOLTAGE	COLOR	LUMENS	FINISH	OPTIC	DIMMING	OPTIONS	BACKUP		
SSC6D													
MODEL SSC6D		HEIGHT 18 (14"+ 4.48") 18.48" Total Height *Consult factory for any other height options.		COLOR 927 (93CRI) 2700K (Standard) 930 (93CRI) 3000K (Standard) 935 (93CRI) 3500K (Standard) 940 (93CRI) 4000K (Standard) 957 (93CRI) 5700K (Standard) 830 (83CRI) 3000K (55L Only) 840 (83CRI) 4000K (55L Only)		LUMENS 10L 1000 lm 15L 1500 lm 20L 2000 lm 25L 2500 lm 30L 3000 lm 35L 3500 lm 40L 4000 lm 40L 4000 lm (93 CRI Standard) 45L 4500 lm (93 CRI Standard) 50L 5000 lm (93 CRI Standard) 55L 5500 lm (83 CRI Only)		OPTIC nominal 15 Spot (15°) 25 Mid Spot (25°) 40 Narrow Flood (40°)		DIMMING LD 0-10V Dimming, 1% (Standard) ET ELV or TRIAC Driver (Only 10L-45L) (120V Phase Dimming Only with UNV Driver) *Other commercial grade systems can be subject to testing or approval via factory request (equipment by others).		OPTIONS 1 DDF Drop Diffuser Frosted DDR Drop Diffuser Red DDA Drop Diffuser Amber DDB Drop Diffuser Blue	
MOUNTING AC Aircraft Cable SF Surface Mount SPM Pendant Mount WM Wall Mount Y Yoke (18" H Max)		AC/SPM SUSPENSION LENGTH Specify the optional suspension length in inches. (Top of luminaire to ceiling) (AC & CM 4"-120" Max, Field Adjustable) (SPM 18" Standard, 6"-120" Max; 61"-120" w/LD & ET Only and stem comes in 2 sections) *Consult factory & price guide for other lengths.		FINISH BKI Black BRI Bronze SLI Silver WHI White CCI Custom Color		OPTIONS 2 CO Surface Mount Conduit Adapter MRA Mud Ring Adapter BRB Bronze Baffle Finish (Black finish standard) SLB Silver Baffle Finish (Black finish standard) WHB White Baffle Finish (Black finish standard)		BACKUP BBU Battery Backup, Integral					

SSC6D Six-Inch Round Seamless Indoor Cylinder

LUMENS / WATTAGE nominal

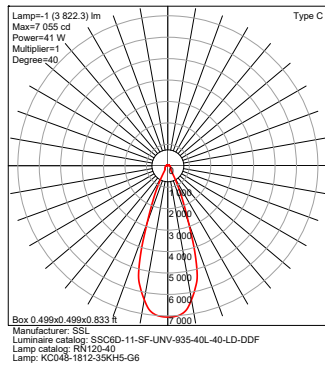
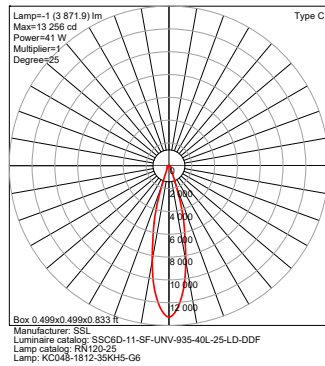
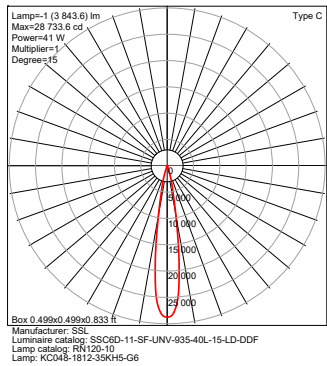
Model	Watts	935
SSC6D	5 W	500 lm
	9 W	1000 lm
	13 W	1500 lm
	18 W	2000 lm
	23 W	2500 lm
	27 W	3000 lm
	32 W	3500 lm
	37 W	4000 lm

IES Multiplier	
Color	Multiplier
927	0.95
930	0.98
935	1.00
940	1.01
957	1.04
830	1.26
840	1.29

TRIAC & ELV Approved Dimmer List	
Manufacturer	Manufacturer Part Number
Lutron	Glyder GLV-600
	Diva DVLV-600P
	Diva DV-600P
	Diva DVELV-600P(303)
	Maestro MALV-600
	Nova T NT-1000
	Nova T NTELV-600
Leviton	Skylark SLV-600P
	RadioRA2-10ND
	SureSlide 6633
	Illumatech IPE04

0-10V Approved Dimmer List	
Manufacturer	Manufacturer Part Number
Lutron	Diva DVSTV-XX
	Diva DVSTV-453PH-WH1
Leviton	Illumatech 010-IP710-DLZ

PHOTOMETRICS (Below photos and graphs are shown with frosted drop diffusers.)

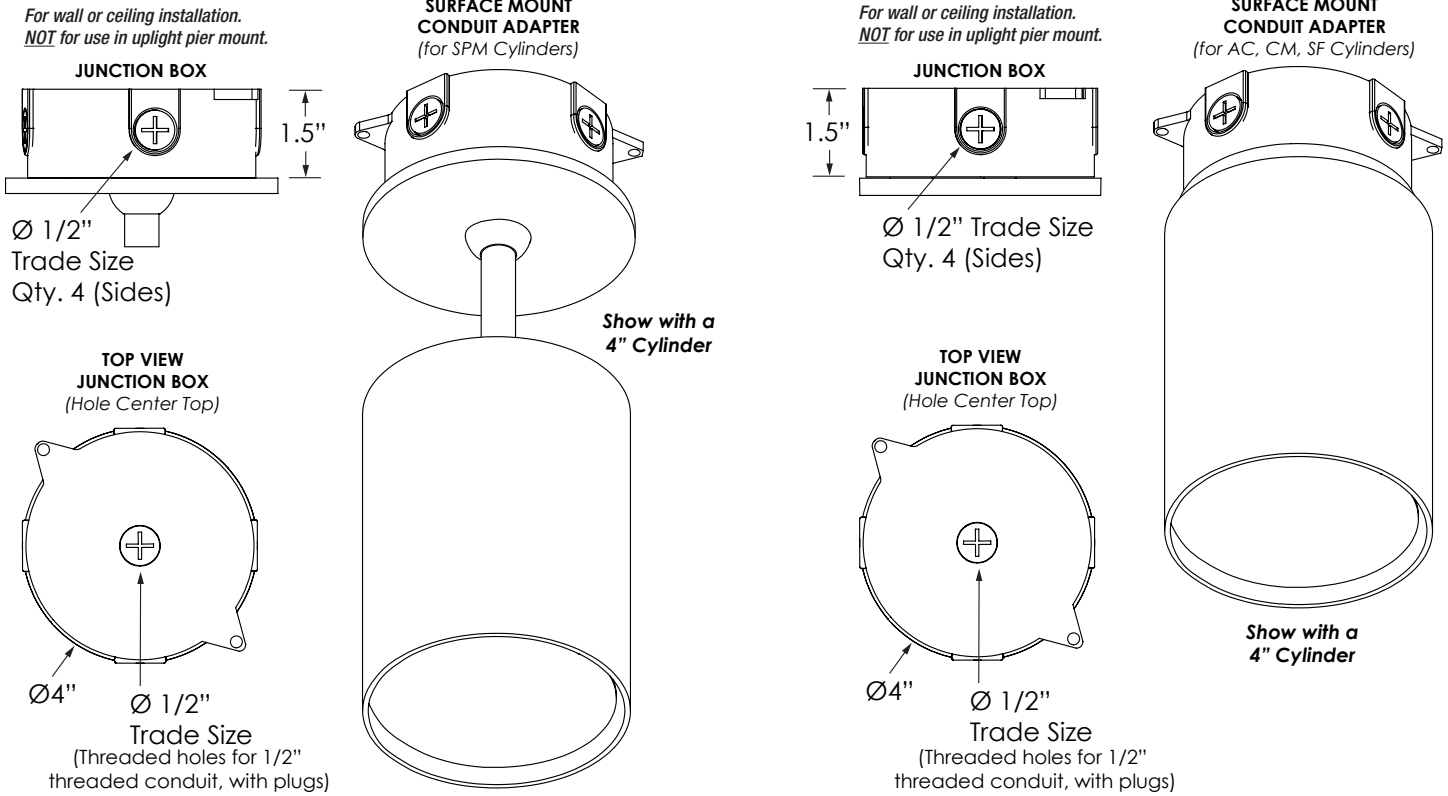


Due to continuous development and improvements, specifications are subject to change without notice. Product use certifies agreement to Solid State Luminaires terms and conditions.

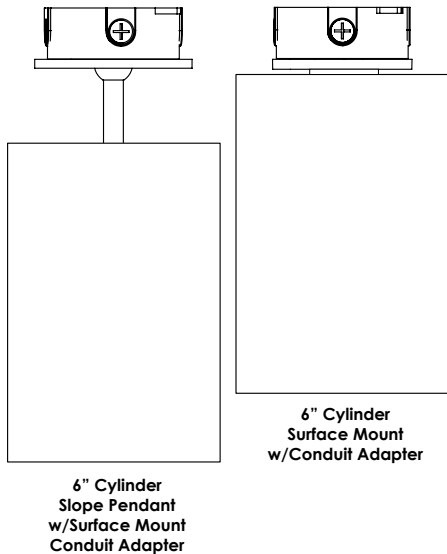
SSC6D Six-Inch Round Seamless Indoor Cylinder

CO Option

Surface Mount Conduit Adapter



Surface Mount Conduit Adapter can be added to any of the AC, CM, SF and SPM Mounts



SSC6D Six-Inch Round Seamless Indoor Cylinder

MRA Option

Mud Ring Adapter

