





Date: _____
 Type: _____
 Luminaire: _____
 Project: _____

Approved: _____

SSC6DR Six-Inch Round Seamless Indoor Cylinder

Remote Driver and Battery Backup with Drop Diffusers



- Frosted 
- Amber 
- Red 
- Blue 

FEATURES

- Multiple finish & drop diffuser color options
- Up to 5500 lumens (4000K)
- Multiple dimming options
- Tool-less field interchangeable optics
- No visible seams or fasteners
- 93 CRI with 2 SDCM

PERFORMANCE

Beam Spread: 15°, 25°, 40°
CCT Options: 2700K, 3000K, 3500K, 4000K, 5700K
CRI: 93 CRI
Consistency: 2 SDCM (Luminaire to Luminaire)
Lumens: 500 - 5500 lumens (typical)
Lumen Maintenance: L70 > 70,000 hours



(Silver Finish w/ Blue Drop Diffuser Shown Above)



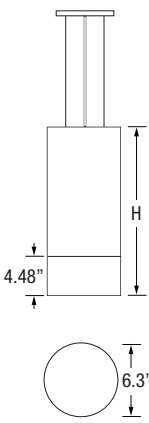
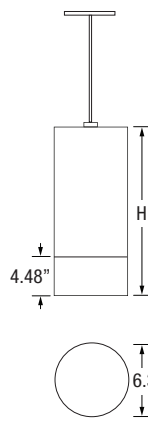
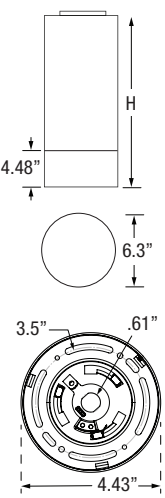
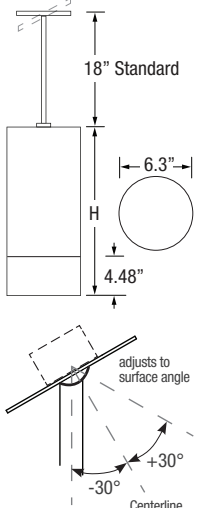
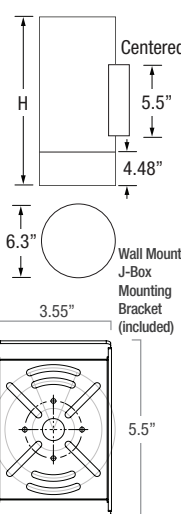
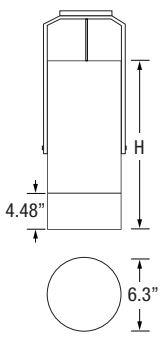
PHYSICAL

Mounting: Aircraft cable, cord, slope pendant, surface, wall, yoke mounts with twist-lock canopy. Twist-lock canopy mounts to standard Octagon J-Box or through drywall using optional mud ring adapter.
Housing: No visible seams or fasteners, marine grade, corrosion resistant, solid aluminum extrusion, high pressure die-cast aluminum components, colored baffle.
Finish: Six stage chemical iron phosphate conversion pre-treatment. Polyester powder coat finish, 18 µm minimum, 3,000 hour salt spray test (ASTM B117) AAMA 2603 specification.
Warranty: 5-Year limited warranty
Lens: IK07 impact compliant, clear anti-glare tempered glass. Acrylic drop diffuser.
Ingress Protection: Dry or damp locations IP43 rated
Weight: 4-10 lbs (Depending on Length)
Operating Temperature: -22°F to 122°F (-30°C to 50°C)

ELECTRICAL

Voltage: Universal 120 - 277 VAC
Power Supply: Integral Class II, electronic high-power factor >.90, THD < 20%, FCC Title 47 Part 15 Class A.
Power Consumption: Maximum 60W
Dimming: standard: 0-10V Dimming, 1%, optional: ET, XA, XB, E1, E2, L1, T1, W1. *Other commercial grade systems can be subject to testing or approval via factory request (equipment by others).
Standards:
 • cETLus Listed, CE, NOM, and RoHS Compliant.
 • Tested to UL 1598 and UL 8750 standards / UL-Class I / IES LM-79 / LM-80 / FCC Part 15.

PHYSICAL DIMENSIONS

| Luminaire | Height (H) | Aircraft Cable (AC) | Cord (CM) | Surface Mount (SF) | Pendant (SPM) | Wall Mount (WM) | Yoke (Y) |
|-----------|--------------------------------------|---|---|---|--|---|---|
| SSC6-12 | (8" + 4.48") 12.23" Total Height |  |  |  |  |  |  |
| SSC6-14 | (10" + 4.48") 14.48" Total Height | | | | | | |
| SSC6-18 | (14" + 4.48") 18.48" Total Height | | | | | | |

*Consult factory for any other height options.

SSC6DR Six-Inch Round Seamless Indoor Cylinder

PRODUCT CODE

EXAMPLE: SSC6DR-18-SPM18-UNV-930-10L-BKI-15-LD-DDR

| MODEL | HEIGHT | MOUNTING | SUSP. LENGTH | VOLTAGE | COLOR | LUMENS | FINISH | OPTIC | DIMMING | OPTIONS | BACKUP |
|--------|--------|----------|--------------|---------|-------|--------|--------|-------|---------|---------|--------|
| SSC6DR | - | - | - | - | - | - | - | - | - | - | - |

MODEL
SSC6DR
 LED DRIVER REMOTE (INDOOR)
 IP20, IK08, NEMA 1, -20°C to +50°C,
 30' MAX Distance with 12AWG

HEIGHT

12 (8"+ 4.48") 12.23" Total Height
14 (10"+ 4.48") 14.48" Total Height
18 (14"+ 4.48") 18.48" Total Height

*Consult factory for any other height options.

MOUNTING

AC Aircraft Cable w/Cord
CM Cord Mount (14" H Max)
SF Surface Mount
SPM Pendant Mount
WM Wall Mount
Y Yoke (18" Max)

AC/CM/SPM SUSPENSION LENGTH

Specify the optional suspension length in inches. (Top of luminaire to ceiling) (AC & CM 4"-120" Max, Field Adjustable) (SPM 18" Standard, 6"-120" Max; 61"-120" w/LD & ET Only and stem comes in 2 sections) *Consult factory & price guide for other lengths.

VOLTAGE

UNV Universal 120 - 277 VAC

COLOR

927 (93CRI) 2700K
930 (93CRI) 3000K
935 (93CRI) 3500K
940 (93CRI) 4000K
957 (93CRI) 5700K
TW Tunable White (2700K-6500K)
DW Dim-to-Warm (2700K-6500K)

LUMENS

05L 500 lm (93 CRI Standard)
10L 1000 lm (93 CRI Standard)
15L 1500 lm (93 CRI Standard)
20L 2000 lm (93 CRI Standard)
25L 2500 lm (93 CRI Standard)
30L 3000 lm (93 CRI Standard)
35L 3500 lm (93 CRI Standard)
40L 4000 lm (93 CRI Standard)
45L 4500 lm (93 CRI Standard)
50L 5000 lm (93 CRI Standard)
55L 5500 lm (83 CRI Only)

FINISH

BKI Black
BRI Bronze
SLI Silver
WHI White
CCI Custom Color

OPTIC typical

15 Spot (15°)
25 Mid Spot (25°)
40 Narrow Flood (40°)

DIMMING

LD 0-10V Dimming, 1% (Standard)
ET ELV or TRIAC Driver (Only 10L-45L) (120V Phase Dimming Only with UNV Driver)
XA DMX Dim to 0.1% (Only 10L-50L) (55L Only)
XB DMX Dim to 1% (55L-60L Only. Includes DMX to 0-10V Converter)
E1 eldoLED 0-10V, Dim to 0.1%, Dim-to-Off (Only 05L-50L)
E2 eldoLED DALI-2, Dim to 0.1%, Dim-to-Off (Only 05L-50L)
L1 Lutron Hi-Lume 1% Ecosystem (Digital Dimming), Soft-on Fade-to-Black (10L-30L)
T1 0.1%, 0-10V, Tunable White (Only TW) (10L to 20L)
W1 0.1%, 0-10V, Dim-to-Warm (Only DW) (10L to 20L)

*Other commercial grade systems can be subject to testing or approval via factory request (equipment by others).

OPTIONS 1

DDF Drop Diffuser Frosted
DDR Drop Diffuser Red
DDA Drop Diffuser Amber
DDB Drop Diffuser Blue

OPTIONS 2

CO Surface Mount Conduit Adapter
MRA Mud Ring Adapter
BRB Bronze Baffle Finish (Black finish standard)
SLB Silver Baffle Finish (Black finish standard)
WHB White Baffle Finish (Black finish standard)

BACKUP

BBUR BATTERY BACK-UP & LED DRIVER REMOTE (INDOOR), IP20, IK08, NEMA 1, 0°C to +48°C, 30' MAX Distance with 12AWG (w/UNV Option Only)
N/A (Leave blank if No Battery Backup Needed)

SSC6DR Six-Inch Round Seamless Indoor Cylinder

LUMENS / WATTAGE typical

| Model | Watts | 935 |
|--------|-------|---------|
| SSC6DR | 5 W | 500 lm |
| | 9 W | 1000 lm |
| | 13 W | 1500 lm |
| | 18 W | 2000 lm |
| | 23 W | 2500 lm |
| | 27 W | 3000 lm |
| | 32 W | 3500 lm |
| | 37 W | 4000 lm |
| | 42 W | 4500 lm |
| | 46 W | 5000 lm |
| | 53 W | 5500 lm |
| | 60 W | 6000 lm |

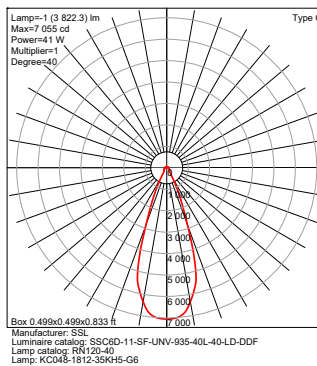
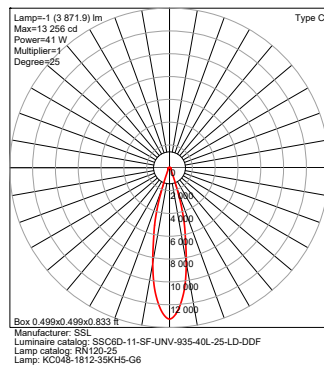
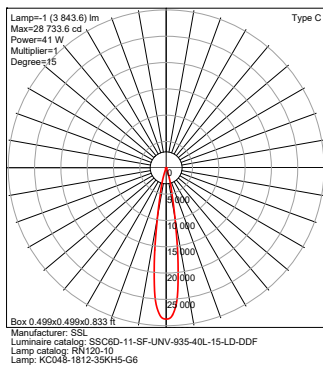
| IES Multiplier | |
|----------------|------------|
| Color | Multiplier |
| 927 | 0.95 |
| 930 | 0.98 |
| 935 | 1.00 |
| 940 | 1.01 |
| 957 | 1.04 |
| 830 | 1.26 |
| 840 | 1.29 |

| TRIAC & ELV Approved Dimmer List | |
|----------------------------------|--------------------------|
| Manufacturer | Manufacturer Part Number |
| Lutron | Glyder GLV-600 |
| | Diva DVLV-600P |
| | Diva DV-600P |
| | Diva DVELV-600P(303) |
| | Maestro MALV-600 |
| | Nova T NT-1000 |
| | Nova T NTELV-600 |
| | Skylark SLV-600P |
| Leviton | RadioRA2-10ND |
| | SureSlide 6633 |
| | Illumatech IPE04 |

| 0-10V Approved Dimmer List | |
|----------------------------|--------------------------|
| Manufacturer | Manufacturer Part Number |
| Lutron | Diva DVSTV-XX |
| | Diva DVSTV-453PH-WH1 |
| Leviton | Illumatech 010-IP710-DLZ |

PHOTOMETRICS

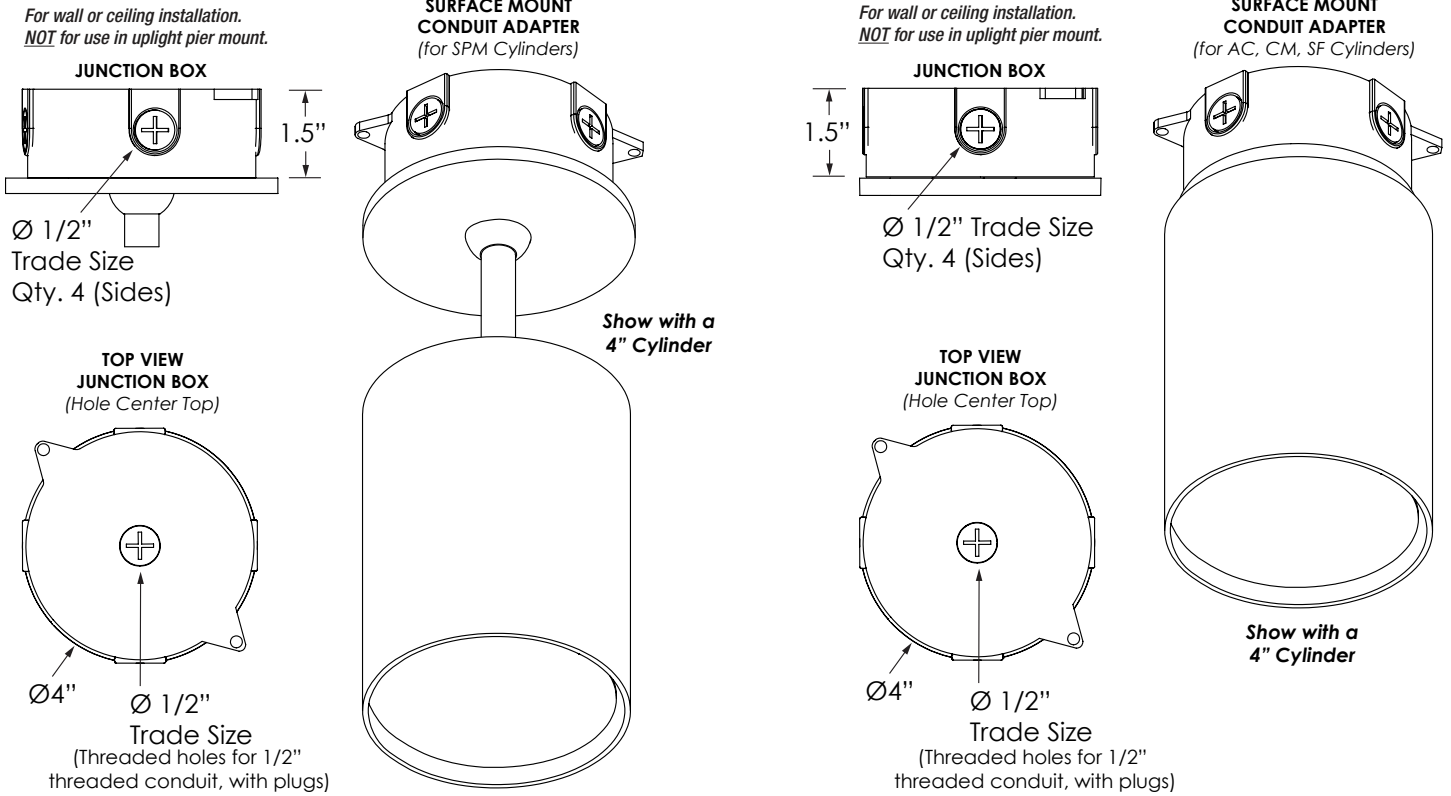
(Below photos and graphs are shown with frosted drop diffusers.)



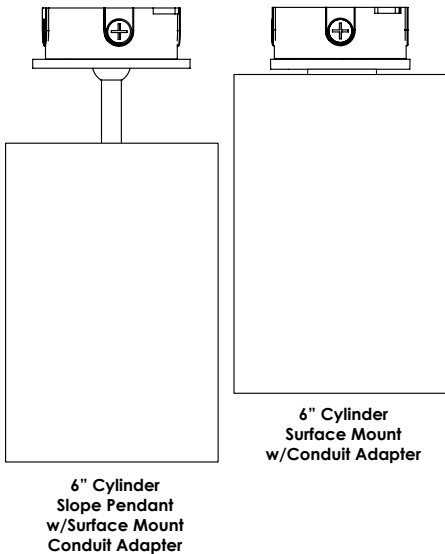
SSC6DR Six-Inch Round Seamless Indoor Cylinder

CO Option

Surface Mount Conduit Adapter



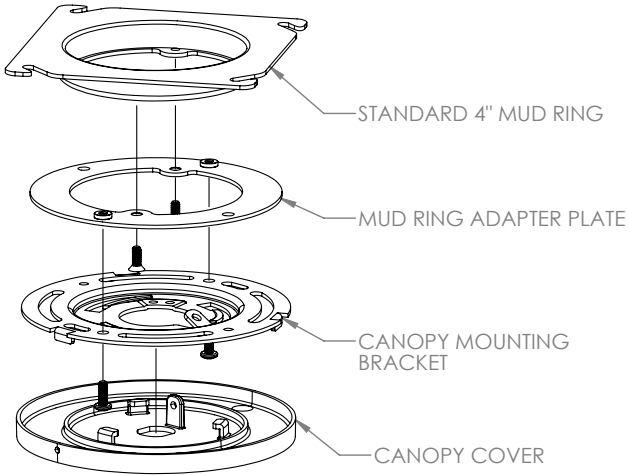
Surface Mount Conduit Adapter can be added to any of the AC, CM, SF and SPM Mounts



SSC6DR Six-Inch Round Seamless Indoor Cylinder

MRA Option

Mud Ring Adapter



BATTERY BACK-UPS

BBUR - BATTERY BACK-UP & LED DRIVER REMOTE (INDOOR), IP20, IK08, NEMA 1, 0°C to +48°C, 30' MAX Distance with 12AWG (w/UNV Option Only)

