





# SSC6D Six-Inch Round Seamless Indoor Cylinder

## Standard Drivers with Drop Diffusers



- Frosted 
- Amber 
- Red 
- Blue 

### FEATURES

- Multiple finish & drop diffuser color options
- Up to 7500 lumens (4000K)
- Multiple dimming options
- No visible seams or fasteners
- 93 CRI with 2 SDCM

### PERFORMANCE

- Beam Spread:** 15°, 25°, 40°
- CCT Options:** 2700K, 3000K, 3500K, 4000K
- CRI:** 93 CRI
- Consistency:** 2 SDCM (Luminaire to Luminaire)
- Lumens:** 500 - 7500 lumens (nominal)
- Lumen Maintenance:** L70 > 70,000 hours



### PHYSICAL

- Mounting:** Aircraft cable, cord, slope pendant, surface, wall, yoke mounts with twist-lock canopy. Twist-lock canopy mounts to standard Octagon J-Box or through drywall using optional mud ring adapter.
- Housing:** No visible seams or fasteners, marine grade, corrosion resistant, solid aluminum extrusion, high pressure die-cast aluminum components, colored baffle.
- Finish:** Six stage chemical iron phosphate conversion pre-treatment. Polyester powder coat finish, 18 µm minimum, 3,000 hour salt spray test (ASTM B117) AAMA 2603 specification.
- Warranty:** 5-Year limited warranty
- Lens:** IK07 impact compliant, clear anti-glare tempered glass. Acrylic drop diffuser.
- Ingress Protection:** Dry or damp locations IP43 rated
- Weight:** 4-10 lbs (Depending on Length)
- Operating Temperature:** -22°F to 104°F (-30°C to 40°C)

### ELECTRICAL

- Voltage:** Universal 120 - 277 VAC, 347 VAC optional
- Power Supply:** Integral Class II, electronic high-power factor >.90, THD < 20%, FCC Title 47 Part 15 Class A.
- Power Consumption:** Maximum 79W
- Dimming:** standard: 0-10V Dimming, 1%, optional: ET
- Standards:**
  - cETLus Listed, CE, NOM, and RoHS Compliant.
  - Tested to UL 1598 and UL 8750 standards / UL-Class I / IES LM-79 / LM-80 / FCC Part 15.

### PHYSICAL DIMENSIONS

Luminaire	Height (H)	Aircraft Cable (AC)	Cord (CM)	Surface Mount (SF)	Pendant (SPM)	Wall Mount (WM)	Yoke (Y)
SSC6-12	(8"+ 4.48") 12.23" Total Height						
SSC6-14	(10"+ 4.48") 14.48" Total Height						
SSC6-18	(14"+ 4.48") 18.48" Total Height						

\*Consult factory for any other height options.

# SSC6D Six-Inch Round Seamless Indoor Cylinder

## PRODUCT CODE

EXAMPLE: SSC6D-18-SPM18-UNV-930-10L-BKI-15-LD-DDR

MODEL	HEIGHT	MOUNTING	SUSP. LENGTH	VOLTAGE	COLOR	LUMENS	FINISH	OPTIC	DIMMING	OPTIONS
SSC6D										

**MODEL**  
SSC6D

**HEIGHT**  
**12** (8"+ 4.48") 12.48" Total Height  
**14** (10"+ 4.48") 14.48" Total Height  
**18** (14"+ 4.48") 18.48" Total Height  
 \*Consult factory for any other height options.

**MOUNTING**  
**AC** Aircraft Cable  
**CM** Cord Mount (14" H Max)  
**SF** Surface Mount  
**SPM** Pendant Mount  
**WM** Wall Mount  
**Y** Yoke

**AC/CM/SPM SUSPENSION LENGTH**  
 Specify the optional suspension length in inches. (Top of luminaire to ceiling) (AC & CM 4"-120" Max, Field Adjustable) (SPM 18" Standard, 6"-120" Max; 61"-120" w/LD & ET Only and stem comes in 2 sections)  
 \*Consult factory & price guide for other lengths.

**VOLTAGE**  
**UNV** Universal 120 - 277 VAC  
**347V** 347 VAC (Only SF, SPM, WM Mounts) (0-10V Dim Only) (25L-55L Only) (40L-55L Min 18" H)

**COLOR**  
**927** (93CRI) 2700K  
**930** (93CRI) 3000K  
**935** (93CRI) 3500K  
**940** (93CRI) 4000K  
 Other CCT/CRI available upon request.

**LUMENS**  
**05L** 500 lm  
**10L** 1000 lm  
**15L** 1500 lm  
**20L** 2000 lm  
**25L** 2500 lm  
**30L** 3000 lm  
**35L** 3500 lm  
**40L** 4000 lm  
**45L** 4500 lm  
**50L** 5000 lm  
**55L** 5500 lm (Minimum 18" H)  
**60L** 6000 lm (Minimum 18" H)  
**65L** 6500 lm (Minimum 18" H)  
**70L** 7000 lm (Minimum 18" H)  
**75L** 7500 lm (Minimum 18" H)

**FINISH**  
**BKI** Black  
**BRi** Bronze  
**SLi** Silver  
**WHi** White  
**CCI** Custom Color

**OPTIC nominal**  
**15** Spot (15°)  
**25** Mid Spot (25°)  
**40** Narrow Flood (40°)

**DIMMING**  
**LD** 0-10V Dimming, 1% (Standard)  
**ET** ELV or TRIAC Driver (Up to 45L, 120V Phase Dimming Only with UNV Driver)

**OPTIONS 1**  
**DDF** Drop Diffuser Frosted  
**DDR** Drop Diffuser Red  
**DDA** Drop Diffuser Amber  
**DDB** Drop Diffuser Blue

**OPTIONS 2**  
**CO** Surface Mount Conduit Adapter  
**MRA** Mud Ring Adapter  
**BRB** Bronze Baffle Finish (Black finish standard)  
**SLB** Silver Baffle Finish (Black finish standard)  
**WHB** White Baffle Finish (Black finish standard)

# SSC6D Six-Inch Round Seamless Indoor Cylinder

## LUMENS / WATTAGE nominal

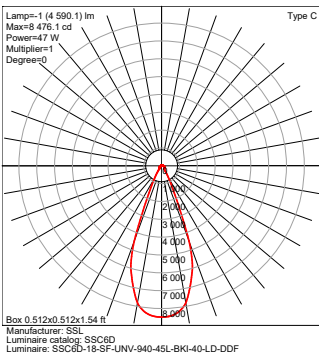
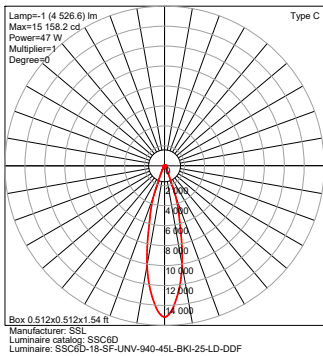
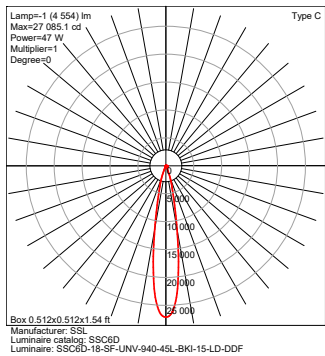
Model	Watts	940
SSC6D	6.3 W	500 lm
	10 W	1000 lm
	14 W	1500 lm
	19 W	2000 lm
	25 W	2500 lm
	29 W	3000 lm
	35 W	3500 lm
	43 W	4000 lm
	47 W	4500 lm
	52 W	5000 lm
	57 W	5500 lm
	62 W	6000 lm
	68 W	6500 lm
	73 W	7000 lm
79 W	7500 lm	

IES Multiplier	
Color	Multiplier
927	0.92
930	0.95
935	0.98
940	1.00

TRIAC & ELV Approved Dimmer List	
Manufacturer	Manufacturer Part Number
Lutron	Glyder GLV-600
	Diva DVLV-600P
	Diva DV-600P
	Diva DVELV-600P(303)
	Maestro MALV-600
	Nova T NT-1000
	Nova T NTELV-600
Leviton	Skylark SLV-600P
	RadioRA2-10ND
	SureSlide 6633
Illumatech IPE04	

0-10V Approved Dimmer List	
Manufacturer	Manufacturer Part Number
Lutron	Diva DVSTV-XX
	Diva DVSTV-453PH-WH1
Leviton	Illumatech 010-IP710-DLZ

## PHOTOMETRICS (Below photos and graphs are shown with frosted drop diffusers.)

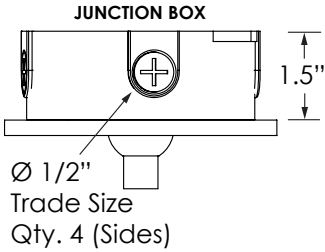


# SSC6D Six-Inch Round Seamless Indoor Cylinder

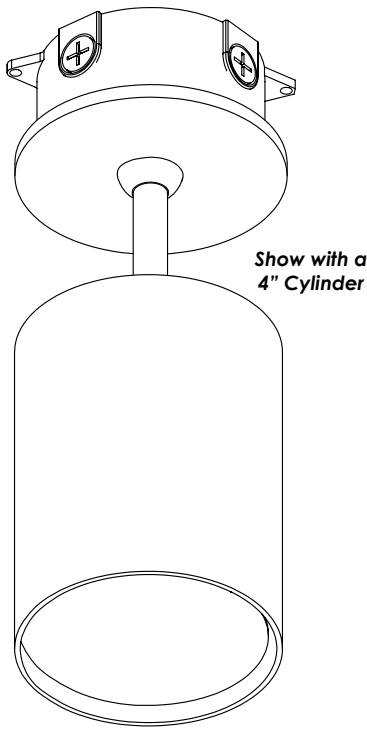
## CO Option

Surface Mount Conduit Adapter

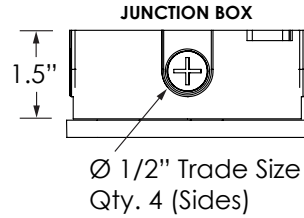
For wall or ceiling installation.  
*NOT* for use in upright pier mount.



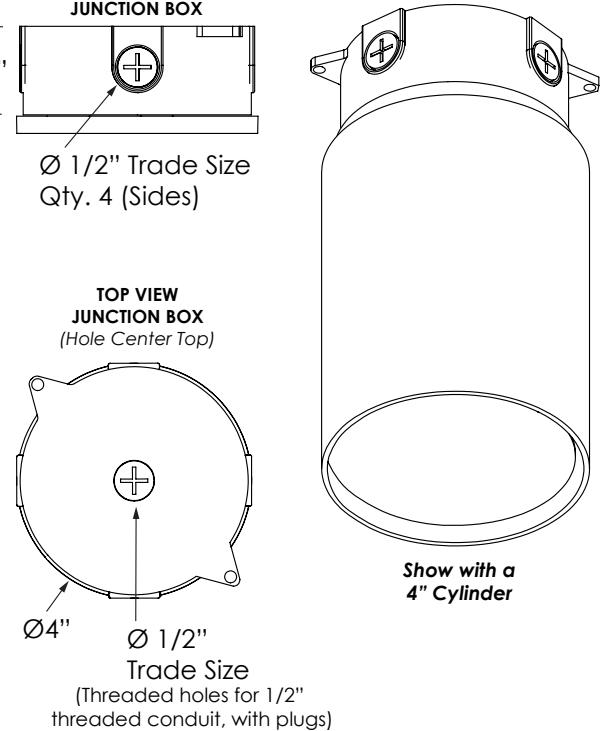
**SURFACE MOUNT  
CONDUIT ADAPTER**  
(for SPM Cylinders)



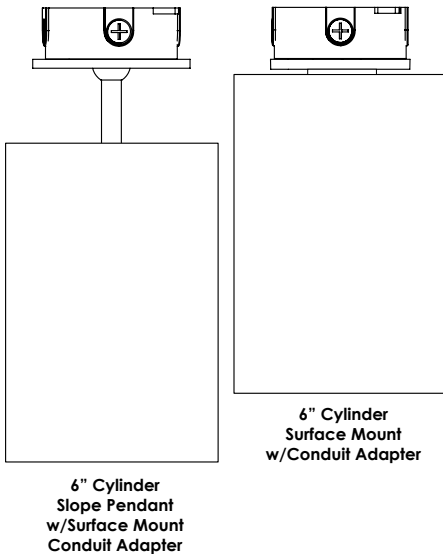
For wall or ceiling installation.  
*NOT* for use in upright pier mount.



**SURFACE MOUNT  
CONDUIT ADAPTER**  
(for AC, CM, SF Cylinders)



**Surface Mount Conduit Adapter can be added to any  
of the AC, CM, SF and SPM Mounts**



## SSC6D Six-Inch Round Seamless Indoor Cylinder

### MRA Option

Mud Ring Adapter

