

Date: _____
 Type: _____
 Fixture: _____
 Project: _____

Approved: _____

SSC6GAR Six-Inch Round Seamless Indoor Cylinder

Adjustable Gimbal Ring with Remote Driver and Battery Backup



FEATURES

- Up to 3500 lumens (4000K)
- No visible seams or fasteners
- Tool-less field interchangeable optics
- Quick twist-lock mounting
- Adjustable gimbal
- 93 CRI with 2 SDCM

PERFORMANCE

Beam Spread: 15°, 25°, 60°
CCT Options: 2700K, 3000K, 3500K, 4000K
CRI: 93 CRI
Consistency: 2 SDCM (Luminaire to Luminaire)
Lumens: 2000 - 3500 lumens (nominal)
Lumen Maintenance: L70 > 70,000 hours

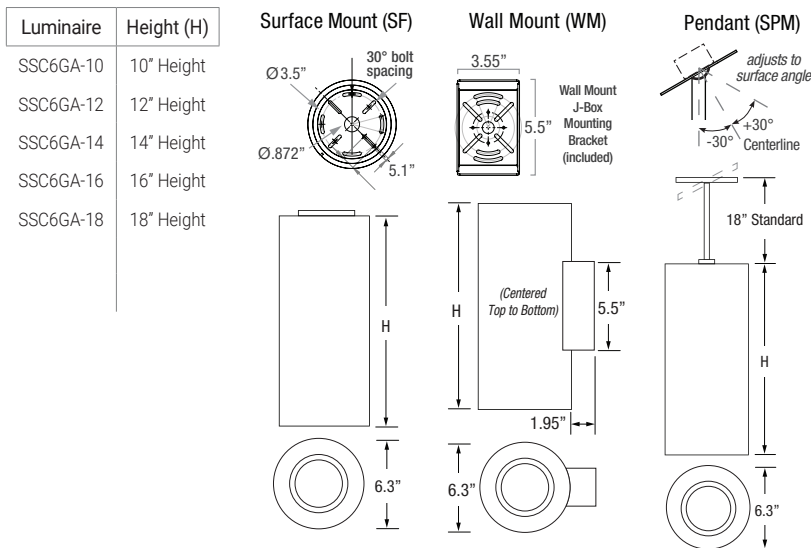
PHYSICAL

Mounting: Slope pendant, surface or wall mounts with twist-lock canopy or through drywall using optional mud ring adapter.
Housing: Marine grade, corrosion resistant, solid aluminum extrusion, high pressure die-cast aluminum components, black baffle.
Finish: Six stage chemical iron phosphate conversion pre-treatment. Polyester powder coat finish, 18 µm minimum, 3,000 hour salt spray test (ASTM B117) AAMA 2603 specification.
Warranty: 5-Year limited warranty
Lens: IK05 impact compliant, clear anti-glare tempered glass
Ingress Protection: Dry or damp locations IP43 rated
Weight: 8-12 lbs (Depending on Length)
Operating Temperature: -22°F to 122°F (-30°C to 50°C)

ELECTRICAL

Voltage: Universal 120 - 277 VAC standard, 347 VAC optional
Power Supply: Integral Class II, electronic high-power factor >.90, THD < 20%, FCC Title 47 Part 15 Class A.
Power Consumption: Maximum 34W
Dimming: standard: Tri-Dim includes 0-10V, 1%, TRIAC and ELV
Standards:
 • cETLus Listed, CE, NOM, and RoHS Compliant.

PHYSICAL DIMENSIONS



Due to continuous development and improvements, specifications are subject to change without notice. Product use certifies agreement to Solid State Luminaires terms and conditions.

Date: _____
 Type: _____
 Fixture: _____
 Project: _____

Approved: _____

SSC6GAR Six-Inch Round Seamless Indoor Cylinder

PRODUCT CODE

EXAMPLE: SSC6GAR-10-SPM18-UNV-930-10L-BKI-15-TD

MODEL	HEIGHT	MOUNTING	SUSP. LENGTH	VOLTAGE	COLOR	LUMENS	FINISH	OPTIC	DIMMING	OPTIONS	BATTERY	
SSC6GAR												
MODEL SSC6GAR LED DRIVER REMOTE (INDOOR) IP20, IK08, NEMA 1, -20°C to +50°C, 30' MAX Distance with 12AWG	HEIGHT 10 10" Height 12 12" Height 14 14" Height 16 16" Height 18 18" Height	MOUNTING SF Surface Mount WM Wall Mount SPM Pendant Mount	SPM LENGTH Specify the optional suspension length in inches. (Top of luminaire to ceiling) (AC & CM 4"-120" Max, Field Adjustable) (SPM 18" Standard, 6"-120" Max; 61"-120" w/LD & ET Only and stem comes in 2 sections) *Consult factory & price guide for other lengths.	VOLTAGE UNV Universal 120 - 277 VAC 347V 347 VAC	COLOR 927 (93CRI) 2700K 930 (93CRI) 3000K 935 (93CRI) 3500K 940 (93CRI) 4000K	LUMENS nominal 20L 2000 lm @ 18 W 25L 2500 lm @ 23 W 30L 3000 lm @ 27 W 35L 3500 lm @ 34 W	FINISH BKI Black BRI Bronze SLI Silver WHI White CCI Custom Color	OPTIC nominal 15 15° Spot 25 25° Mid Spot 60 60° Flood	w/SOFT FIELD N/A (Leave Blank)	DIMMING TD Tri-Dim (0-10V 1%, TRIAC & ELV) LD347 0-10V 1% (347 VAC Only)	OPTIONS HC Honeycomb Louver MRA Mud Ring Adapter	BATTERY BBUR BATTERY BACK-UP & LED DRIVER REMOTE (INDOOR), IP20, IK08, NEMA 1, 0°C to +48°C, 30' MAX Distance with 12AWG (w/UNV Option Only)

Due to continuous development and improvements, specifications are subject to change without notice. Product use certifies agreement to Solid State Luminaires terms and conditions.

SSC6GAR Six-Inch Round Seamless Indoor Cylinder

LUMENS / WATTAGE nominal

Model	Watts	940
SSC6GAR	18 W	2000 lm
	23 W	2500 lm
	27 W	3000 lm
	34 W	3500 lm

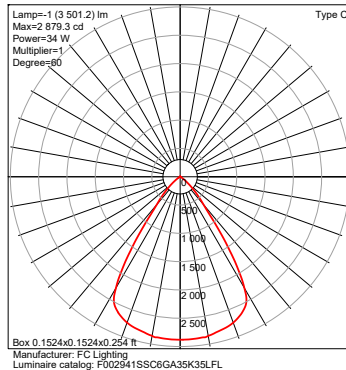
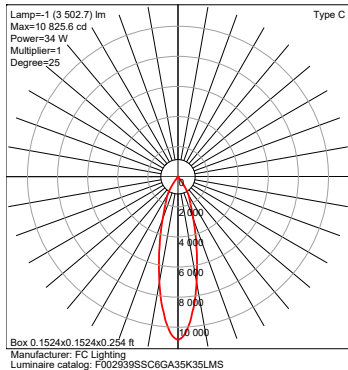
IES Multiplier	
Color	Multiplier
927	0.93
930	0.97
935	0.99
940	1.00

*83CRI≤1.15 Consult factory.

TRIAC & ELV Approved Dimmer List	
Manufacturer	Manufacturer Part Number
Lutron	Glyder GLV-600
	Diva DVLV-600P
	Diva DV-600P
	Diva DVELV-600P(303)
	Maestro MALV-600
	Nova T NT-1000
	Nova T NTELV-600
Leviton	Skylark SLV-600P
	RadioRA2-10ND
	SureSlide 6633
illumatech IPE04	

0-10V Approved Dimmer List	
Manufacturer	Manufacturer Part Number
Lutron	Diva DVSTV-XX
	Diva DVSTV-453PH-WH1
Leviton	illumatech 010-IP710-DLZ

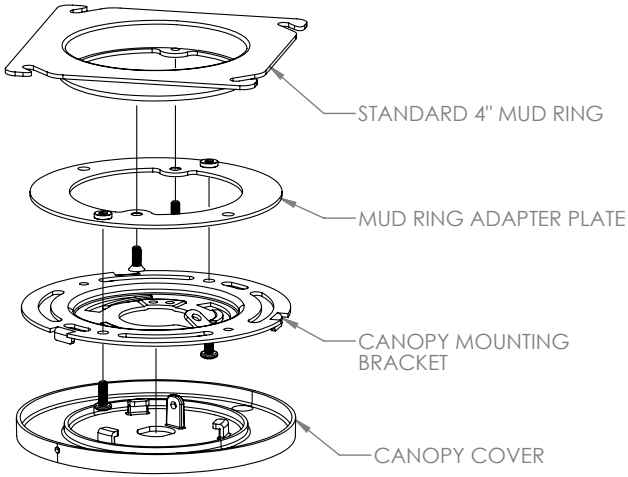
PHOTOMETRICS



SSC6GAR Six-Inch Round Seamless Indoor Cylinder

MRA Option

Mud Ring Adapter



BATTERY BACK-UPS

BBUR - BATTERY BACK-UP & LED DRIVER REMOTE (INDOOR), IP20, IK08, NEMA 1, 0°C to +48°C, 30' MAX Distance with 12AWG (w/UNV Option Only)

