





# SSC6G Six-Inch Round Seamless Indoor Cylinder

## Integral Driver and Battery Backup with Glow Rings



- Frosted 
- Amber 
- Red 
- Blue 

### FEATURES

- Multiple finish & glow ring color options
- Up to 5500 lumens (4000K)
- No visible seams or fasteners
- Tool-less field interchangeable optics
- Integral battery backup and integral driver
- 93 CRI with 2 SDCM

### PERFORMANCE

- Beam Spread:** 15°, 25°, 45°, 50°, 72°
- CCT Options:** 2700K, 3000K, 3500K, 4000K, 5700K
- CRI:** 93 CRI
- Consistency:** 2 SDCM (Luminaire to Luminaire)
- Lumens:** 500 - 5500 lumens (nominal)
- Lumen Maintenance:** L70 > 70,000 hours



(Black Finish w/ Amber Glow Ring Shown Above)



### PHYSICAL

**Mounting:** Aircraft cable, slope pendant, surface, wall, yoke mounts with twist-lock canopy. Twist-lock canopy mounts to standard Octagon J-Box or through drywall using optional mud ring adapter.

**Housing:** No visible seams or fasteners, marine grade, corrosion resistant, solid aluminum extrusion, high pressure die-cast aluminum components, colored baffle.

**Finish:** Six stage chemical iron phosphate conversion pre-treatment. Polyester powder coat finish, 18 µm minimum, 3,000 hour salt spray test (ASTM B117) AAMA 2603 specification.

**Warranty:** 5-Year limited warranty

**Lens:** IK07 impact compliant, clear anti-glare tempered glass. Acrylic glow ring.

**Ingress Protection:** Dry or damp locations IP43 rated

**Weight:** 4-10 lbs (Depending on Length)

**Operating Temperature:** -22°F to 122°F (-30°C to 50°C)

### ELECTRICAL

**Voltage:** Universal 120 - 277 VAC

**Power Supply:** Integral Class II, electronic high-power factor >.90, THD < 20%, FCC Title 47 Part 15 Class A.

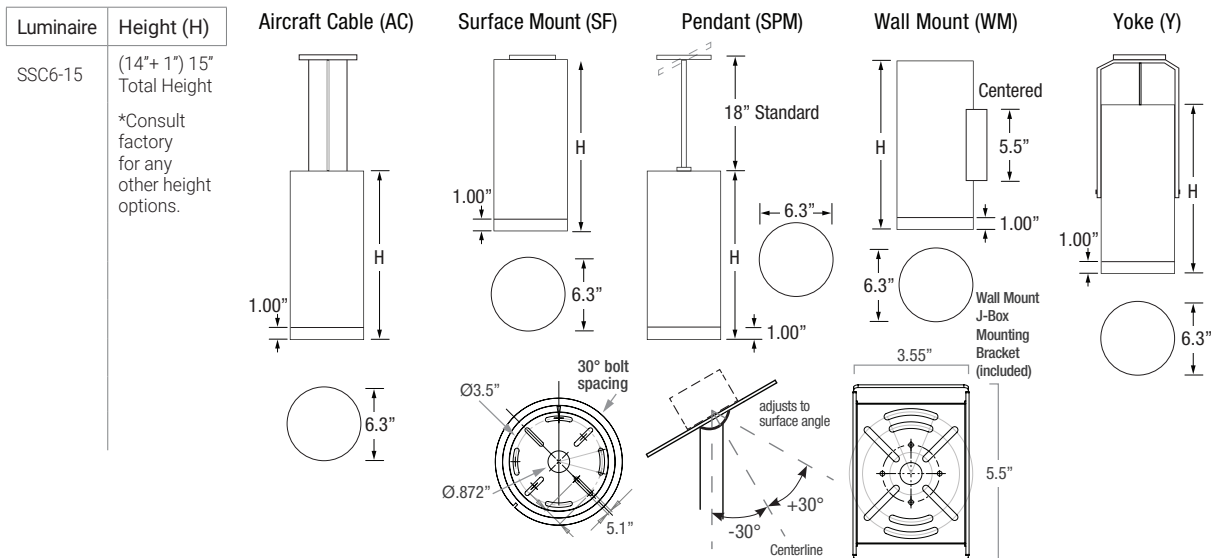
**Power Consumption:** Maximum 37W

**Dimming:** standard: 0-10V Dimming, 1%, optional: ET. \*Other commercial grade systems can be subject to testing or approval via factory request (equipment by others).

**Standards:**

- cETLus Listed, CE, NOM, and RoHS Compliant.
- Tested to UL 1598 and UL 8750 standards / UL-Class I / IES LM-79 / LM-80 / FCC Part 15.

### PHYSICAL DIMENSIONS



# SSC6G Six-Inch Round Seamless Indoor Cylinder

## PRODUCT CODE

EXAMPLE: SSC6G-SPM18-UNV-930-10L-BKI-15-LD-GRR

MODEL	HEIGHT	MOUNTING	SUSP. LENGTH	VOLTAGE	COLOR	LUMENS	FINISH	OPTIC	DIMMING	OPTIONS	BACKUP		
SSC6G													
<b>MODEL</b> SSC6G		<b>HEIGHT</b> 15 (14"+ 1") 15" Total Height *Consult factory for any other height options.		<b>COLOR</b> 927 (93CRI) 2700K (Standard) 930 (93CRI) 3000K (Standard) 935 (93CRI) 3500K (Standard) 940 (93CRI) 4000K (Standard) 957 (93CRI) 5700K (Standard) 830 (83CRI) 3000K (55L Only) 840 (83CRI) 4000K (55L Only)		<b>LUMENS</b> 10L 1000 lm 15L 1500 lm 20L 2000 lm 25L 2500 lm 30L 3000 lm 35L 3500 lm 40L 4000 lm 40L 4000 lm (93 CRI Standard) 45L 4500 lm (93 CRI Standard) 50L 5000 lm (93 CRI Standard) 55L 5500 lm (83 CRI Only)		<b>OPTIC nominal</b> 15 Spot (15°) 25 Mid Spot (25°) 45 Narrow Flood (45°) 50 Flood (50°) 72 Wide Flood (72°)		<b>DIMMING</b> LD 0-10V Dimming, 1% (Standard) ET ELV or TRIAC Driver (Only 20L-45L) (120V Phase Dimming Only with UNV Driver) *Other commercial grade systems can be subject to testing or approval via factory request (equipment by others).		<b>OPTIONS 1</b> GRF Glow Ring Frosted GRR Glow Ring Red GRA Glow Ring Amber GRB Glow Ring Blue	
<b>MOUNTING</b> AC Aircraft Cable SF Surface Mount SPM Pendant Mount WM Wall Mount Y Yoke (18" H Max)		<b>AC/SPM SUSPENSION LENGTH</b> Specify the optional suspension length in inches. (Top of luminaire to ceiling) (AC & CM 4"-120" Max, Field Adjustable) (SPM 18" Standard, 6"-120" Max; 61"-120" w/LD & ET Only and stem comes in 2 sections) *Consult factory & price guide for other lengths.		<b>FINISH</b> BKI Black BRI Bronze SLI Silver WHI White CCI Custom Color		<b>OPTIONS 2</b> CO Surface Mount Conduit Adapter MRA Mud Ring Adapter BRB Bronze Baffle Finish (Black finish standard) SLB Silver Baffle Finish (Black finish standard) WHB White Baffle Finish (Black finish standard)		<b>BACKUP</b> BBU Battery Backup, Integral					

# SSC6G Six-Inch Round Seamless Indoor Cylinder

## LUMENS / WATTAGE nominal

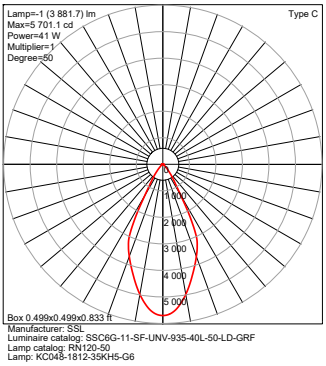
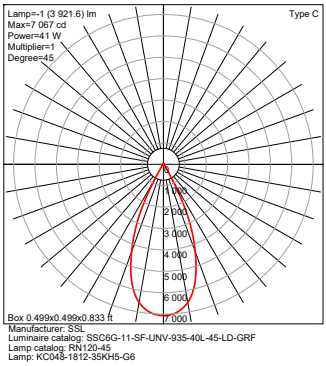
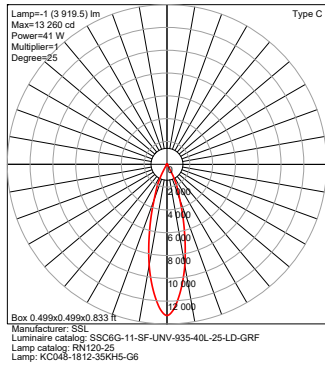
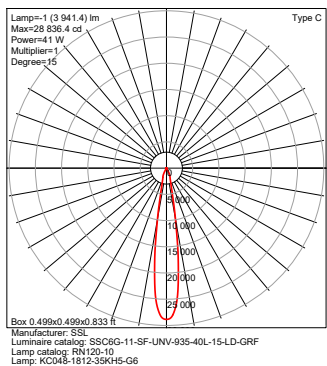
Model	Watts	935
SSC6G	5 W	500 lm
	9 W	1000 lm
	13 W	1500 lm
	18 W	2000 lm
	23 W	2500 lm
	27 W	3000 lm
	32 W	3500 lm
	37 W	4000 lm

IES Multiplier	
Color	Multiplier
927	0.95
930	0.98
935	1.00
940	1.01
957	1.04
830	1.26
840	1.29

TRIAC & ELV Approved Dimmer List	
Manufacturer	Manufacturer Part Number
Lutron	Glyder GLV-600
	Diva DVLV-600P
	Diva DV-600P
	Diva DVELV-600P(303)
	Maestro MALV-600
	Nova T NT-1000
	Nova T NTELV-600
Leviton	Skylark SLV-600P
	RadioRA2-10ND
	SureSlide 6633
Illumatech IPE04	

0-10V Approved Dimmer List	
Manufacturer	Manufacturer Part Number
Lutron	Diva DVSTV-XX
	Diva DVSTV-453PH-WH1
Leviton	Illumatech 010-IP710-DLZ

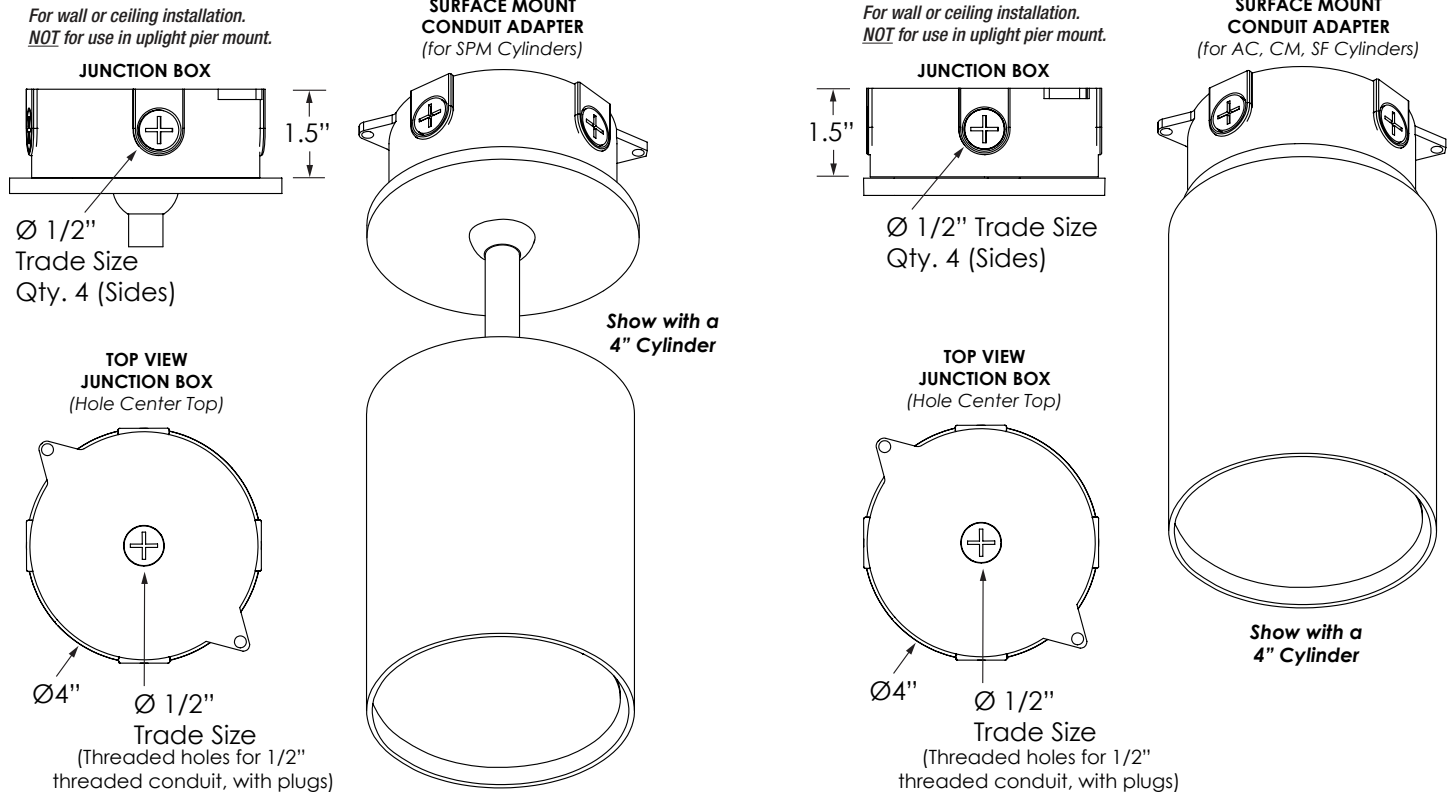
## PHOTOMETRICS (Below photos and graphs are shown with frosted glow rings.)



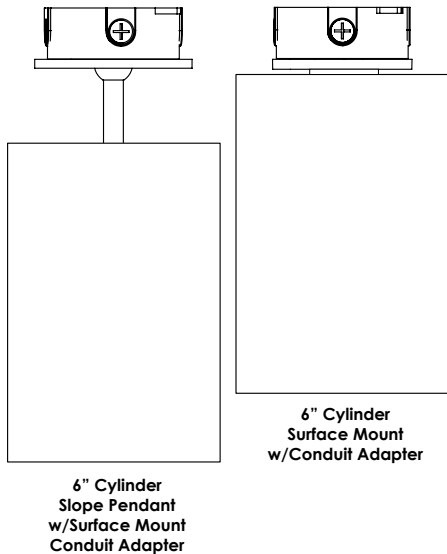
# SSC6G Six-Inch Round Seamless Indoor Cylinder

## CO Option

Surface Mount Conduit Adapter



**Surface Mount Conduit Adapter can be added to any of the AC, CM, SF and SPM Mounts**



## SSC6G Six-Inch Round Seamless Indoor Cylinder

### MRA Option

Mud Ring Adapter

