





Date: \_\_\_\_\_  
 Type: \_\_\_\_\_  
 Fixture: \_\_\_\_\_  
 Project: \_\_\_\_\_

Approved: \_\_\_\_\_

# SSC6GR Six-Inch Round Seamless Indoor Cylinder

Remote Driver and Battery Backup with Glow Rings



- Frosted 
- Amber 
- Red 
- Blue 

## FEATURES

- Multiple finish & glow ring color options
- Up to 5500 lumens (4000K)
- Multiple dimming options
- Tool-less field interchangeable optics
- No visible seams or fasteners
- 93 CRI with 2 SDCM

## PERFORMANCE

**Beam Spread:** 15°, 25°, 45°, 50°, 72°  
**CCT Options:** 2700K, 3000K, 3500K, 4000K, 5700K  
**CRI:** 93 CRI  
**Consistency:** 2 SDCM (Luminaire to Luminaire)  
**Lumens:** 500 - 5500 lumens (typical)  
**Lumen Maintenance:** L70 > 70,000 hours



(Black Finish w/ Amber Glow Ring Shown Above)



## PHYSICAL

**Mounting:** Aircraft cable, cord, slope pendant, surface, wall, yoke mounts with twist-lock canopy. Twist-lock canopy mounts to standard Octagon J-Box or through drywall using optional mud ring adapter.

**Housing:** No visible seams or fasteners, marine grade, corrosion resistant, solid aluminum extrusion, high pressure die-cast aluminum components, colored baffle.

**Finish:** Six stage chemical iron phosphate conversion pre-treatment. Polyester powder coat finish, 18 µm minimum, 3,000 hour salt spray test (ASTM B117) AAMA 2603 specification.

**Warranty:** 5-Year limited warranty

**Lens:** IK07 impact compliant, clear anti-glare tempered glass. Acrylic glow ring.

**Ingress Protection:** Dry or damp locations IP43 rated

**Weight:** 4-10 lbs (Depending on Length)

**Operating Temperature:** -22°F to 122°F (-30°C to 50°C)

## ELECTRICAL

**Voltage:** Universal 120 - 277 VAC

**Power Supply:** Integral Class II, electronic high-power factor >.90, THD < 20%, FCC Title 47 Part 15 Class A.

**Power Consumption:** Maximum 53W

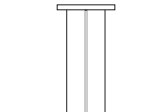
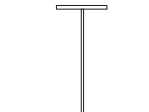
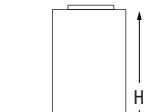
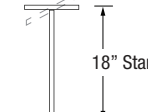
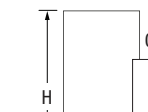
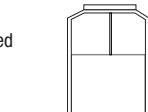
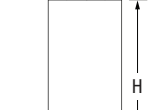
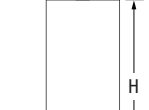
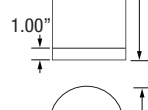
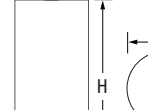
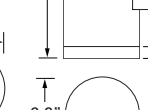
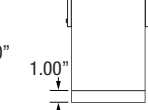
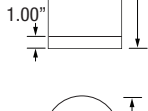
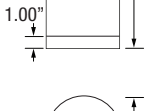
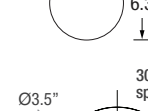
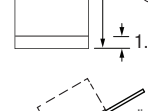
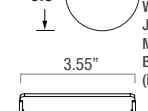
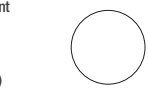
**Dimming:** **standard:** 0-10V Dimming, 1%, **optional:** ET, XA, XB, E1, E2, L1, T1, W1, XRC.

\*Other commercial grade systems can be subject to testing or approval via factory request (equipment by others).

**Standards:**

- cETLus Listed, CE, NOM, and RoHS Compliant.
- Tested to UL 1598 and UL 8750 standards / UL-Class I / IES LM-79 / LM-80 / FCC Part 15.

## PHYSICAL DIMENSIONS

Luminaire	Height (H)	Aircraft Cable (AC)	Cord (CM)	Surface Mount (SF)	Pendant (SPM)	Wall Mount (WM)	Yoke (Y)
SSC6-09	(8" ± 1") 9" Total Height						
SSC6-11	(10" ± 1") 11" Total Height						
SSC6-15	(14" ± 1") 15" Total Height  *Consult factory for any other height options.						

# SSC6GR Six-Inch Round Seamless Indoor Cylinder

## PRODUCT CODE

EXAMPLE: SSC6GR-15-SPM18-UNV-930-10L-BKI-15-LD-GRR

MODEL	HEIGHT	MOUNTING	SUSP. LENGTH	VOLTAGE	COLOR	LUMENS	FINISH	OPTIC	DIMMING	OPTIONS	BACKUP
SSC6GR											

**MODEL**  
**SSC6GR**  
 LED DRIVER REMOTE (INDOOR)  
 IP20, IK08, NEMA 1, -20°C to +50°C,  
 30' MAX Distance with 12AWG

**HEIGHT**  
**9** (8"+ 1") 9" Total Height  
**11** (10"+ 1") 11" Total Height  
**15** (14"+ 1") 15" Total Height  
 \*Consult factory for any other height options.

**MOUNTING**  
**AC** Aircraft Cable with Cord  
**CM** Cord Mount (15"H Max)  
**SF** Surface Mount  
**SPM** Pendant Mount  
**WM** Wall Mount  
**Y** Yoke (18" Max)

**AC/CM/SPM SUSPENSION LENGTH**  
 Specify the optional suspension length in inches. (Top of fixture to ceiling) (AC & CM 4"-120" Max, Field Adjustable) (SPM 18" Standard, 6"-120" Max; 61"-120" w/LD & ET Only and stem comes in 2 sections) \*Consult factory & price guide for other lengths.

**VOLTAGE**  
**UNV** Universal 120 - 277 VAC

**COLOR**  
**927** (93CRI) 2700K  
**930** (93CRI) 3000K  
**935** (93CRI) 3500K  
**940** (93CRI) 4000K  
**957** (93CRI) 5700K  
**TW** Tunable White (2700K-6500K)  
**DW** Dim-to-Warm (2700K-6500K)

**LUMENS**  
**05L** 500 lm (93 CRI Standard)  
**10L** 1000 lm (93 CRI Standard)  
**15L** 1500 lm (93 CRI Standard)  
**20L** 2000 lm (93 CRI Standard)  
**25L** 2500 lm (93 CRI Standard)  
**30L** 3000 lm (93 CRI Standard)  
**35L** 3500 lm (93 CRI Standard)  
**40L** 4000 lm (93 CRI Standard)  
**45L** 4500 lm (93 CRI Standard)  
**50L** 5000 lm (93 CRI Standard)  
**55L** 5500 lm (83 CRI Only)

**FINISH**  
**BKI** Black  
**BRI** Bronze  
**SLI** Silver  
**WHI** White  
**CCI** Custom Color

**OPTIC typical**  
**15** Spot (15°)  
**25** Mid Spot (25°)  
**45** Narrow Flood (45°)  
**50** Flood (50°)  
**72** Wide Flood (72°)

**DIMMING**  
**LD** 0-10V Dimming, 1% (Standard)  
**ET** ELV or TRIAC Driver (Only 10L-45L) (120V Phase Dimming Only with UNV Driver)  
**XA** DMX Dim to 0.1% (Only 10L-50L) (55L Only)  
**XB** DMX Dim to 1% (55L-60L Only. Includes DMX to 0-10V Converter)  
**E1** eldoLED 0-10V, Dim to 0.1%, Dim-to-Off (Only 05L-50L)  
**E2** eldoLED DALI-2, Dim to 0.1%, Dim-to-Off (Only 05L-50L)  
**L1** Lutron Hi-Lume 1% Ecosystem (Digital Dimming), Soft-on Fade-to-Black (10L-30L)  
**T1** 0.1%, 0-10V, Tunable White (Only TW) (10L to 20L)  
**W1** 0.1%, 0-10V, Dim-to-Warm (Only DW) (10L to 20L)  
 \*Other commercial grade systems can be subject to testing or approval via factory request (equipment by others).

**OPTIONS 1**  
**GRF** Glow Ring Frosted  
**GRR** Glow Ring Red  
**GRA** Glow Ring Amber  
**GRB** Glow Ring Blue

**OPTIONS 2**  
**CO** Surface Mount Conduit Adapter  
**MRA** Mud Ring Adapter  
**BRB** Bronze Baffle Finish (Black finish standard)  
**SLB** Silver Baffle Finish (Black finish standard)  
**WHB** White Baffle Finish (Black finish standard)

**BACKUP**  
**BBUR** BATTERY BACK-UP & LED DRIVER REMOTE (INDOOR), IP20, IK08, NEMA 1, 0°C to +48°C, 30' MAX Distance with 12AWG (w/UNV Option Only)  
**N/A** (Leave blank if No Battery Backup Needed)

# SSC6GR Six-Inch Round Seamless Indoor Cylinder

## LUMENS / WATTAGE typical

Model	Watts	935
SSC6GR	5 W	500 lm
	9 W	1000 lm
	13 W	1500 lm
	18 W	2000 lm
	23 W	2500 lm
	27 W	3000 lm
	32 W	3500 lm
	37 W	4000 lm
	42 W	4500 lm
	46 W	5000 lm
	53 W	5500 lm

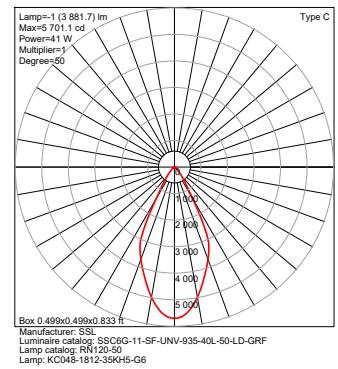
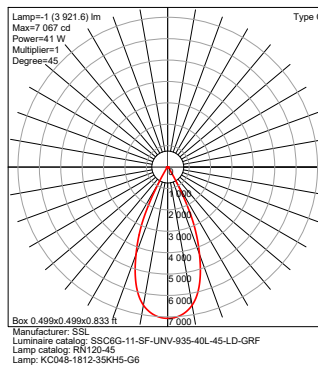
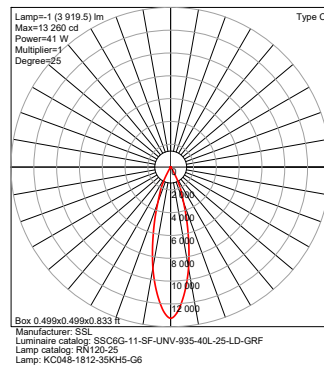
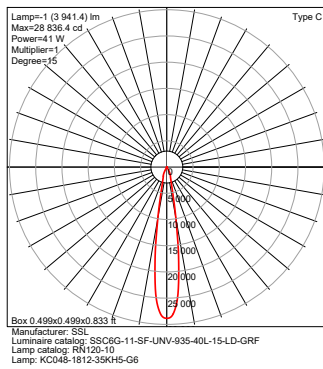
IES Multiplier	
Color	Multiplier
927	0.95
930	0.98
935	1.00
940	1.01
957	1.04
830	1.26
840	1.29

TRIAC & ELV Approved Dimmer List	
Manufacturer	Manufacturer Part Number
Lutron	Glyder GLV-600
	Diva DVLV-600P
	Diva DV-600P
	Diva DVELV-600P(303)
	Maestro MALV-600
	Nova T NT-1000
	Nova T NTELV-600
Leviton	Skylark SLV-600P
	RadioRA2-10ND
	SureSlide 6633
Illumatech IPE04	

0-10V Approved Dimmer List	
Manufacturer	Manufacturer Part Number
Lutron	Diva DVSTV-XX
	Diva DVSTV-453PH-WH1
Leviton	Illumatech 010-IP710-DLZ

## PHOTOMETRICS

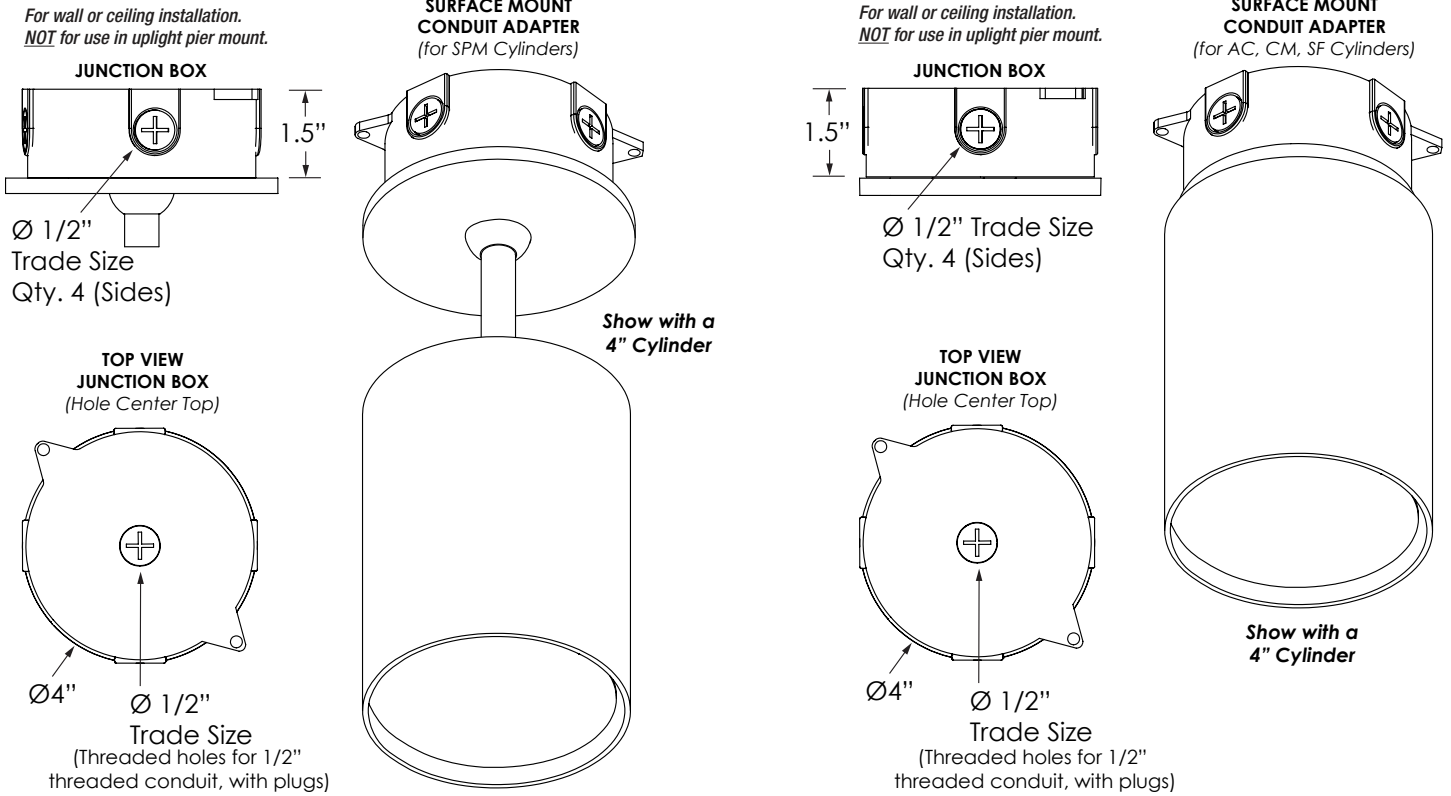
(Below photos and graphs are shown with frosted glow rings.)



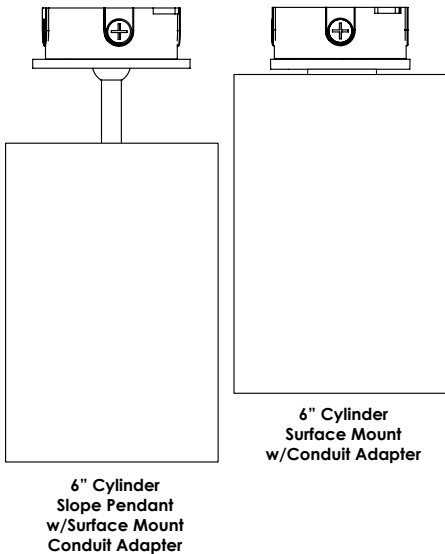
# SSC6GR Six-Inch Round Seamless Indoor Cylinder

## CO Option

Surface Mount Conduit Adapter



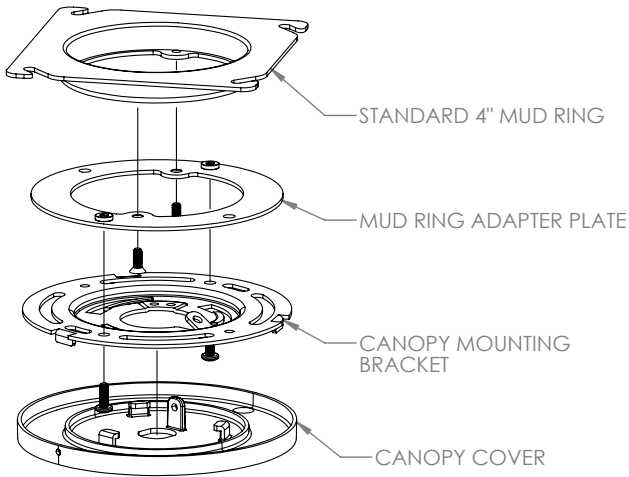
**Surface Mount Conduit Adapter can be added to any of the AC, CM, SF and SPM Mounts**



# SSC6GR Six-Inch Round Seamless Indoor Cylinder

## MRA Option

Mud Ring Adapter



## BATTERY BACK-UPS

**BBUR - BATTERY BACK-UP & LED DRIVER REMOTE (INDOOR), IP20, IK08, NEMA 1, 0°C to +48°C, 30' MAX Distance with 12AWG (w/UNV Option Only)**

