

Date: _____
 Type: _____
 Fixture: _____
 Project: _____

Approved: _____

SSC6R Six-Inch Round Seamless Indoor Cylinder

Remote Drivers with Battery Backup



FEATURES

- Up to 8500 lumens (4000K)
- Multiple dimming options
- Tool-less field interchangeable optics
- No visible seams or fasteners
- Multiple housing colors
- 93 CRI with 2 SDCM

PERFORMANCE

Beam Spread: 15°, 25°, 40°, 50°, 72°, Wall Wash
CCT Options: 2700K, 3000K, 3500K, 4000K
CRI: 93 CRI
Consistency: 2 SDCM (Luminaire to Luminaire)
Lumens: 500 - 8500 lumens (typical)
Lumen Maintenance: L70 > 70,000 hours

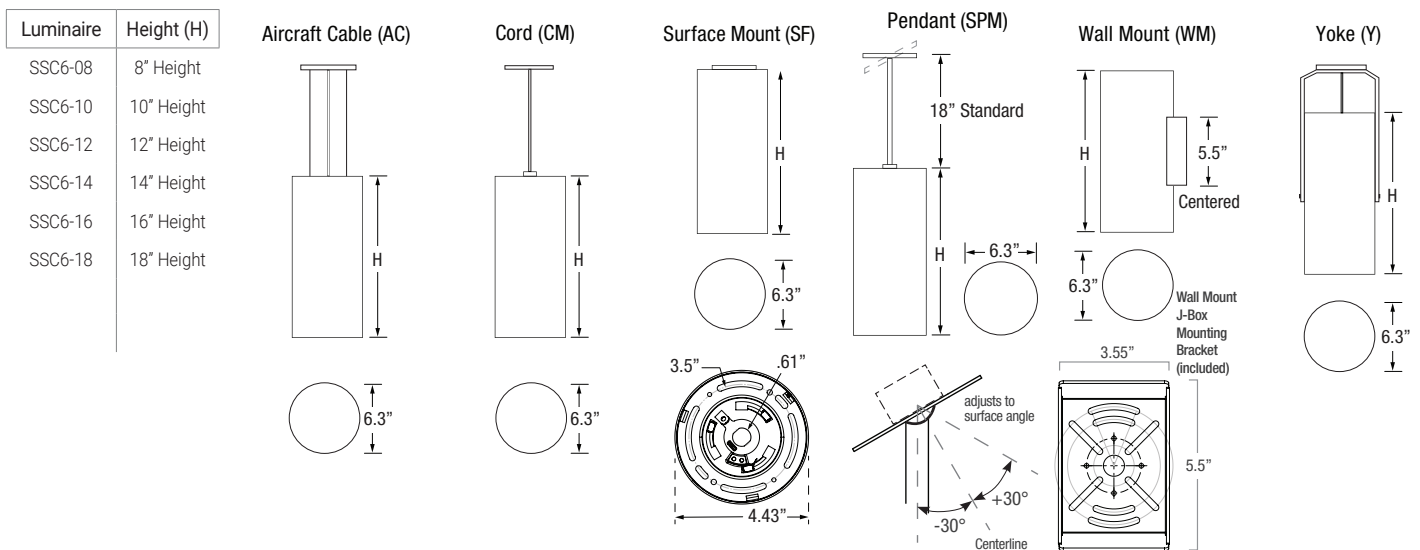
PHYSICAL

Mounting: Aircraft cable, cord, slope pendant, surface, wall, yoke with twist-lock canopy or through drywall using optional mud ring adapter.
Housing: No visible seams or fasteners, marine grade, corrosion resistant, solid aluminum extrusion, high pressure die-cast aluminum components, colored baffle.
Finish: Six stage chemical iron phosphate conversion pre-treatment. Polyester powder coat finish, 18 µm minimum, 3,000 hour salt spray test (ASTM B117) AAMA 2603 specification.
Warranty: 5-Year limited warranty
Lens: IK05 impact compliant, clear anti-glare tempered glass. The Soft Field Lens option provides diffusion, reduces glare, and enhances visual comfort.
Ingress Protection: Dry or damp locations IP43 rated
Weight: 4-10 lbs (Depending on Length)
Operating Temperature: -22°F to 104°F (-30°C to 40°C)

ELECTRICAL

Voltage: Universal 120 - 277 VAC
Power Supply: Integral Class II, electronic high-power factor >.90, THD < 20%, FCC Title 47 Part 15 Class A.
Power Consumption: Maximum 92W
Dimming: standard: 0-10V Dimming, 1%, optional: ET, XA, XB, E1, E2, L1, T1, W1
Standards:
 • cETLus Listed, CE, NOM, and RoHS Compliant.
 • Tested to UL 1598 and UL 8750 standards / UL-Class I / IES LM-79 / LM-80 / FCC Part 15.

PHYSICAL DIMENSIONS



Due to continuous development and improvements, specifications are subject to change without notice. Product use certifies agreement to Solid State Luminaires terms and conditions.

Date: _____
 Type: _____
 Fixture: _____
 Project: _____

Approved: _____

SSC6R Six-Inch Round Seamless Indoor Cylinder

PRODUCT CODE

EXAMPLE: SSC6R-8-SPM18-UNV-930-10L-BKI-15-LD

MODEL	HEIGHT	MOUNTING	SUSP. LENGTH	VOLTAGE	COLOR	LUMENS	FINISH	OPTIC	DIMMING	OPTIONS	BATTERY						
SSC6R																	
MODEL SSC6R LED DRIVER REMOTE (INDOOR) IP20, IK08, NEMA 1, -20°C to +50°C, 30' MAX Distance with 12AWG		HEIGHT 8 8" Height 10 10" Height 12 12" Height 14 14" Height 16 16" Height 18 18" Height		COLOR 927 (93CRI) 2700K 930 (93CRI) 3000K 935 (93CRI) 3500K 940 (93CRI) 4000K TW Tunable White (2700K-6500K) DW Dim-to-Warm (1850K-3100K) *Other CCT/CRI options available upon request		LUMENS nominal 05L 500 lm 10L 1000 lm 15L 1500 lm 20L 2000 lm 25L 2500 lm 30L 3000 lm 35L 3500 lm 40L 4000 lm 45L 4500 lm 50L 5000 lm 55L 5500 lm 60L 6000 lm 65L 6500lm 70L 7000 lm 75L 7500 lm 80L 8000 lm 85L 8500 lm		FINISH BKI Black BRI Bronze SLI Silver WHI White CCI Custom Color		OPTIC nominal w/SOFT FIELD 15 Spot (15°) 15S Spot 25 Mid Spot (25°) 25S Narrow Flood 40 Narrow Flood (40°) 40S Mid Flood 50 Flood (50°) 50S Flood 72 Wide Flood (72°) 72S Wide Flood WW Wall Wash (25° Optic Only)		DIMMING LD 0-10V Dimming, 1% (Standard) ET ELV or TRIAC Driver (Max 45L) (120V Phase Dimming Only with UNV Driver) XA DMX Dim to 0.1% (Max 55L) E1 eldoLED 0-10V, Dim to 0.1%, Dim-to-Off (Max 55L) E2 eldoLED DALI-2, Dim to 0.1%, Dim-to-Off (Max 55L) L1 Lutron Hi-Lume 1% Ecosystem (Digital Dimming), Soft-on Fade-to-Black (Max 40L) T1* 0.1%, 0-10V, Tunable White (Only TW) (Not w/BBUR) (Max 15L) W1 0.1%, 0-10V, Dim-to-Warm (Only DW) (10L-20L) (Not w/BBUR) (Max 20L) *TW version uses two 0-10V signals; one for CCT selection, one for intensity		OPTIONS CO Surface Mount Conduit Adapter MRA Mud Ring Adapter BRB Bronze Baffle Finish (Black finish standard) SLB Silver Baffle Finish (Black finish standard) WHB White Baffle Finish (Black finish standard)		BATTERY BBUR* BATTERY BACK-UP & LED DRIVER REMOTE (INDOOR), IP20, IK08, NEMA 1, 10°C to +50°C, 30' MAX Distance with 12AWG (w/UNV Option Only) 800 lm output, 2 hours 30 minutes run time N/A (Leave blank if No Battery Backup Needed) *BBUR recharge time is 24 hours	
MOUNTING AC Aircraft Cable with Cord CM Cord Mount (14" H Max) SF Surface Mount SPM Pendant Mount WM Wall Mount Y Yoke (18" Max)		AC/CM/SPM SUSPENSION LENGTH Specify the optional suspension length in inches. (Top of luminaire to ceiling) (AC & CM 4"-120" Max, Field Adjustable) (SPM 18" Standard, 6"-120" Max; 61"-120" w/LD & ET Only and stem comes in 2 sections) *Consult factory & price guide for other lengths.															

Due to continuous development and improvements, specifications are subject to change without notice.
 Product use certifies agreement to Solid State Luminaires terms and conditions.

SSC6R Six-Inch Round Seamless Indoor Cylinder

LUMENS / WATTAGE typical

Model	Watts	940
SSC6R	6.3 W	500 lm
	10 W	1000 lm
	14 W	1500 lm
	19 W	2000 lm
	24 W	2500 lm
	29 W	3000 lm
	35 W	3500 lm
	38 W	4000 lm
	44 W	4500 lm
	49 W	5000 lm
	54 W	5500 lm
	60 W	6000 lm
	65 W	6500 lm
	71 W	7000 lm
	78 W	7500 lm
	82 W	8000 lm
92 W	8500 lm	

IES Multiplier	
Color	Multiplier
927	0.92
930	0.95
935	0.98
940	1.00

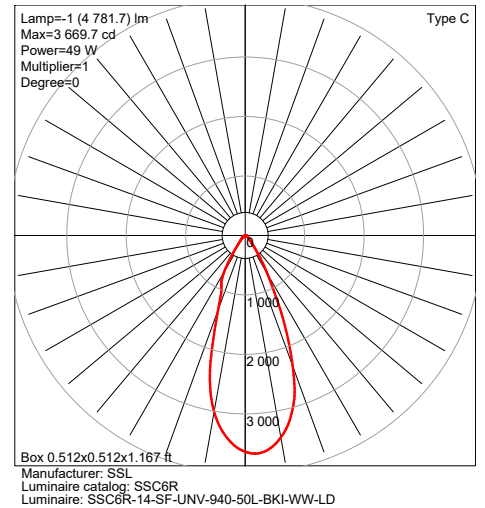
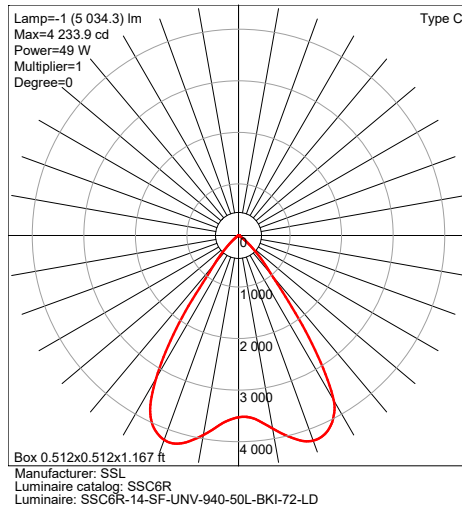
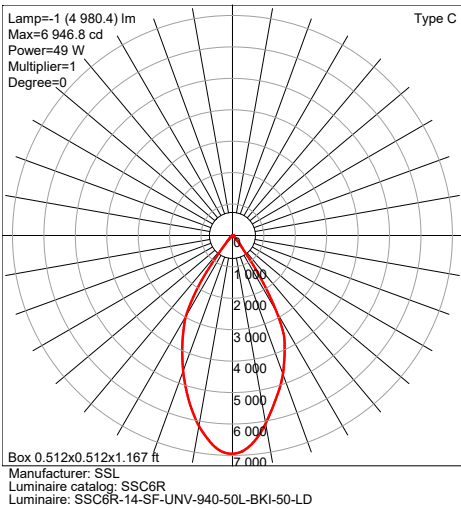
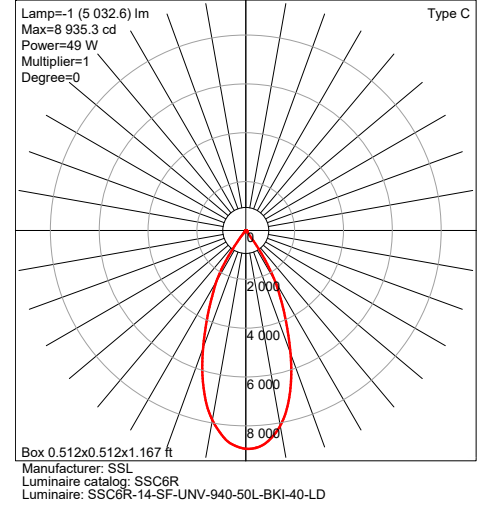
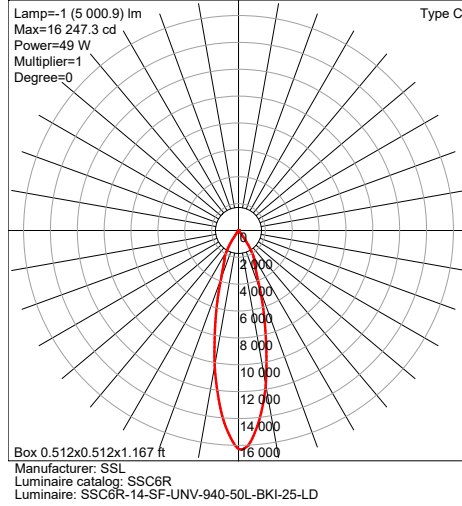
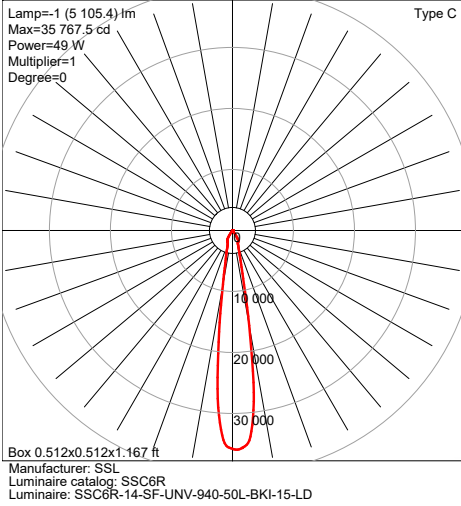
*83CRI@1.15 Consult factory.

TRIAC & ELV Approved Dimmer List	
Manufacturer	Manufacturer Part Number
Lutron	Glyder GLV-600
	Diva DVLV-600P
	Diva DV-600P
	Diva DVELV-600P(303)
	Maestro MALV-600
	Nova T NT-1000
	Nova T NTELV-600
	Skylark SLV-600P
Leviton	RadioRA2-10ND
	SureSlide 6633 Illumatech IPE04

0-10V Approved Dimmer List	
Manufacturer	Manufacturer Part Number
Lutron	Diva DVSTV-XX
	Diva DVSTV-453PH-WH1
Leviton	Illumatech 010-IP710-DLZ

SSC6R Six-Inch Round Seamless Indoor Cylinder

PHOTOMETRICS

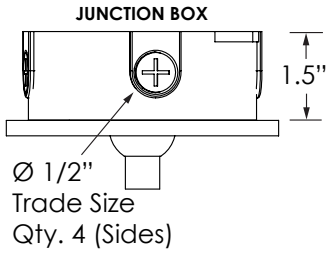


SSC6R Six-Inch Round Seamless Indoor Cylinder

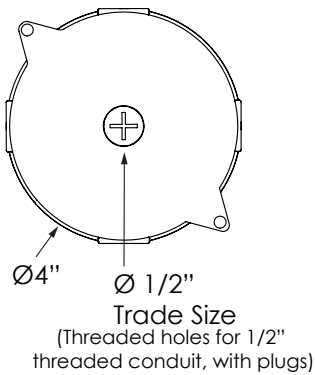
CO Option

Surface Mount Conduit Adapter

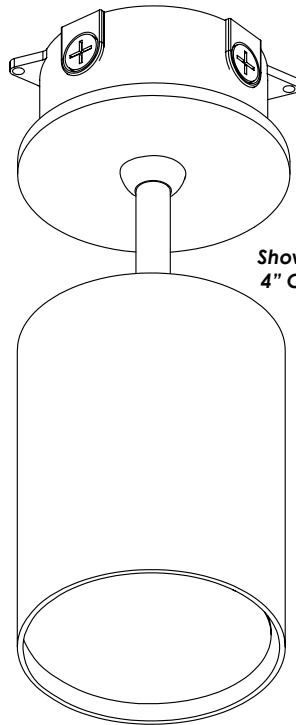
For wall or ceiling installation.
NQT for use in upright pier mount.



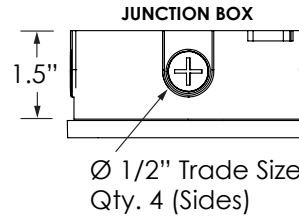
**TOP VIEW
JUNCTION BOX
(Hole Center Top)**



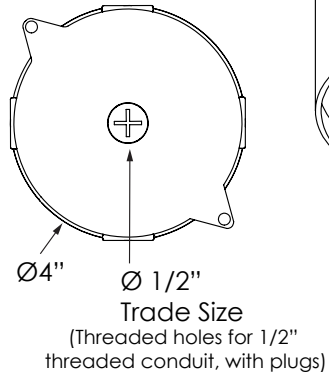
**SURFACE MOUNT
CONDUIT ADAPTER
(for SPM Cylinders)**



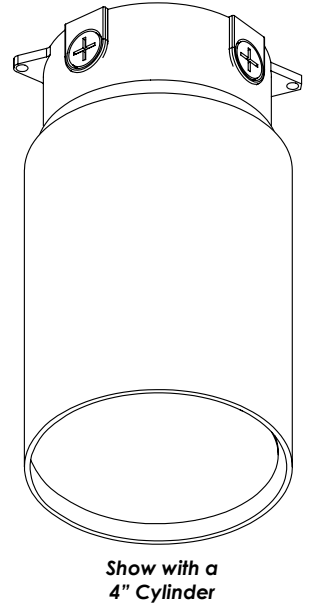
For wall or ceiling installation.
NQT for use in upright pier mount.



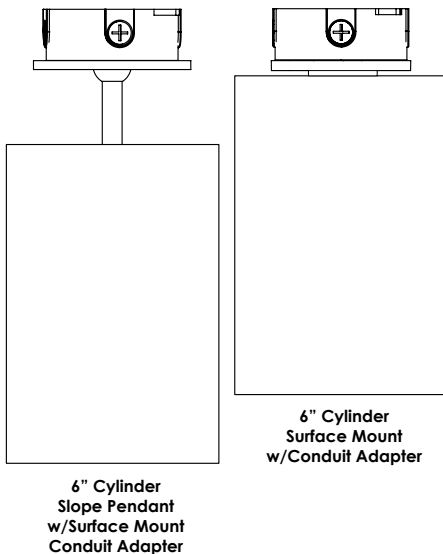
**TOP VIEW
JUNCTION BOX
(Hole Center Top)**



**SURFACE MOUNT
CONDUIT ADAPTER
(for AC, CM, SF Cylinders)**



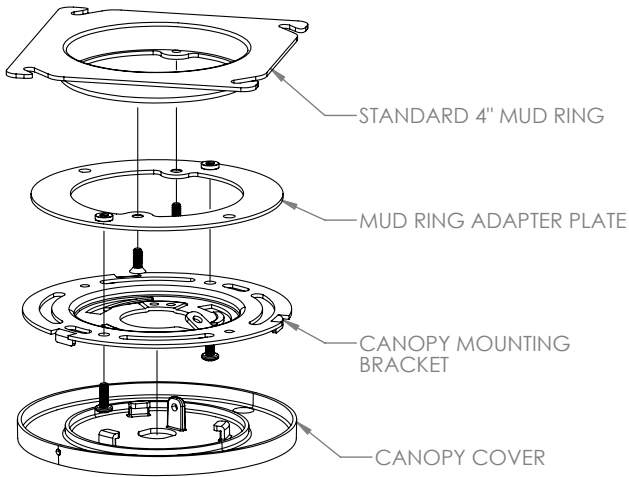
**Surface Mount Conduit Adapter can be added to any
of the AC, CM, SF and SPM Mounts**



SSC6R Six-Inch Round Seamless Indoor Cylinder

MRA Option

Mud Ring Adapter



BATTERY BACK-UPS

BBUR - BATTERY BACK-UP & LED DRIVER REMOTE (INDOOR), IP20, IK08, NEMA 1, 0°C to +48°C, 30' MAX Distance with 12AWG (w/UNV Option Only)

