

Date: _____ Approved: _____
 Type: _____
 Fixture: _____
 Project: _____

SSC6 Six-Inch Round Seamless Indoor Cylinder

Standard Drivers without Battery Backup

Select options next to clock symbol to qualify your order.
QuickShip max order = 25 pcs



FEATURES

- Up to 8000 lumens (4000K)
- Multiple dimming options
- Tool-less field interchangeable optics
- No visible seams or fasteners
- Multiple housing colors
- 93 CRI with 2 SDCM

PERFORMANCE

Beam Spread: 15°, 25°, 40°, 50°, 72°, Wall Wash
CCT Options: 2700K, 3000K, 3500K, 4000K
CRI: 93 CRI
Consistency: 2 SDCM (Luminaire to Luminaire)
Lumens: 500 - 8000 lumens (nominal)
Lumen Maintenance: L70 >70,000 hours



PHYSICAL

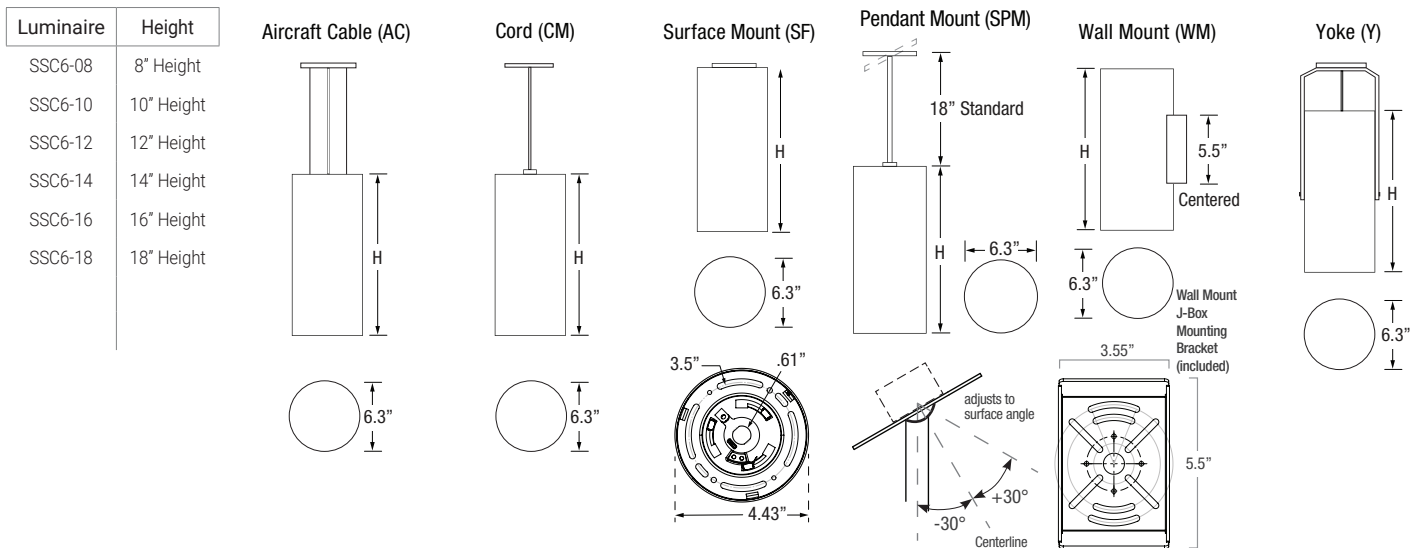
Mounting: Aircraft cable, cord, slope pendant, surface, wall, yoke w/ twist-lock canopy or through drywall using optional mud ring adapter.
Housing: No visible seams or fasteners, marine grade, corrosion resistant, solid aluminum extrusion, high pressure die-cast aluminum components, colored baffle.
Finish: Six stage chemical iron phosphate conversion pre-treatment. Polyester powder coat finish, 18 µm minimum, 3,000 hour salt spray test (ASTM B117) AAMA 2603 specification.
Warranty: 5-Year limited warranty
Lens: IK05 impact compliant, clear anti-glare impact resistant optics. The Soft Field Lens option provides diffusion, reduces glare, and enhances visual comfort.
Ingress Protection: Dry or damp locations IP43 rated
Weight: 4-10 lbs (Depending on Length)
Operating Temperature: -22°F to 113°F (-30°C to 45°C)

ELECTRICAL

Voltage: Universal 120 - 277 VAC, 347 VAC optional
Power Supply: Integral Class II, electronic high-power factor >.90, THD < 20%, FCC Title 47 Part 15 Class A.
Power Consumption: Maximum 81W
Dimming: standard: 0-10V, 1%, optional: ET
Standards:

- cETLus Listed, CE, NOM, and RoHS Compliant.
- Tested to UL 1598 and UL 8750 standards / UL-Class I / IES LM-79 / LM-80 / FCC Part 15.

PHYSICAL DIMENSIONS



Due to continuous development and improvements, specifications are subject to change without notice. Product use certifies agreement to Solid State Luminaires terms and conditions.

SSC6 Six-Inch Round Seamless Indoor Cylinder

PRODUCT CODE

EXAMPLE: SSC6-8-SPM18-UNV-930-05L-BKI-15-LD

QuickShip max order = 25 pcs



Select options next to clock symbol to qualify your order.

MODEL	HEIGHT	MOUNTING	SUSP. LENGTH	VOLTAGE	COLOR	LUMENS	FINISH	OPTIC	DIMMING	OPTIONS	
SSC6											
MODEL				COLOR				OPTIC nominal		w/SOFT FIELD	
<input checked="" type="checkbox"/> SSC6				927 (93CRI) 2700K <input checked="" type="checkbox"/> 930 (93CRI) 3000K <input checked="" type="checkbox"/> 935 (93CRI) 3500K 940 (93CRI) 4000K Other CCT/CRI available upon request.				<input checked="" type="checkbox"/> 15 Spot (15°) <input checked="" type="checkbox"/> 25 Mid Spot (25°) 40 Narrow Flood (40°) <input checked="" type="checkbox"/> 50 Flood (50°) <input checked="" type="checkbox"/> 72 Wide Flood (72°)		15S Spot (15°) 25S Mid Spot (25°) 40S Narrow Flood (40°) 50S Flood (50°) 72S Wide Flood (72°) WW Wall Wash (50° Optic Only)	
HEIGHT				LUMENS nominal				DIMMING			
8 8" Height <input checked="" type="checkbox"/> 10 10" Height 12 12" Height 14 14" Height 16 16" Height 18 18" Height				05L 500 lm 10L 1000 lm <input checked="" type="checkbox"/> 15L 1500 lm 20L 2000 lm <input checked="" type="checkbox"/> 25L 2500 lm 30L 3000 lm <input checked="" type="checkbox"/> 35L 3500 lm 40L 4000 lm 45L 4500 lm 50L 5000 lm 55L 5500 lm 60L 6000 lm (Minimum 12" H) 65L 6500 lm (Minimum 12" H) 70L 7000 lm (Minimum 12" H) 75L 7500 lm (Minimum 14" H) 80L 8000 lm (Minimum 14" H)				<input checked="" type="checkbox"/> LD 0-10V Dimming, 1% ET ELV or TRIAC Driver (Only 05L-50L, 120V Phase Dimming Only with UNV Driver)			
MOUNTING						FINISH				OPTIONS	
<input checked="" type="checkbox"/> AC Aircraft Cable CM Cord Mount (14" Maximum) <input checked="" type="checkbox"/> SF Surface Mount SPM Pendant Mount WM Wall Mount Y Yoke (18" Maximum)						<input checked="" type="checkbox"/> BKI Black BRI Bronze SLI Silver <input checked="" type="checkbox"/> WHI White CCI Custom Color				CO Surface Mount Conduit Adapter MRA Mud Ring Adapter BRB Bronze Baffle Finish (Black finish standard) SLB Silver Baffle Finish (Black finish standard) WHB White Baffle Finish (Black finish standard)	
AC/CM/SPM SUSPENSION LENGTH											
Specify the optional cable suspension length in inches. (Top of luminaire to ceiling) (AC & CM 4"-120" Max, Field Adjustable) (SPM 18" Standard, 6"-120" Max; 61"-120" w/LD & ET only and stem comes in 2 sections) *Consult factory & price guide for other lengths.											
VOLTAGE											
<input checked="" type="checkbox"/> UNV Universal 120 - 277 VAC 347V 347 VAC (Only SF, SPM, WM Mounts) (0-10V LD dim only) (25L-55L lumen options only). Nominal lumen height restrictions still applicable.											

Soft Field average light loss factor is 0.945

SSC6 Six-Inch Round Seamless Indoor Cylinder

LUMENS / WATTAGE nominal

Model	Watts	Lumens
SSC6	6.4 W	500 lm
	9 W	1000 lm
	14 W	1500 lm
	18 W	2000 lm
	23 W	2500 lm
	28 W	3000 lm
	34 W	3500 lm
	38 W	4000 lm
	44 W	4500 lm
	48 W	5000 lm
	53 W	5500 lm
	63 W	6000 lm
	68 W	6500 lm
	72 W	7000 lm
	76 W	7500 lm
	81 W	8000 lm

Lifetime Calculations				
Model	L70	L70	L90	L90
	Calculated	Reported	Calculated	Reported
SSC6	133600	>60500	41200	41200

*Specific Lumen Output Lifetime available upon request.
 *All lifetimes based on B50.

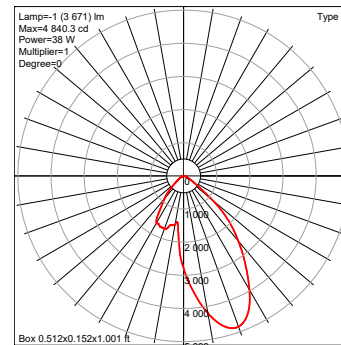
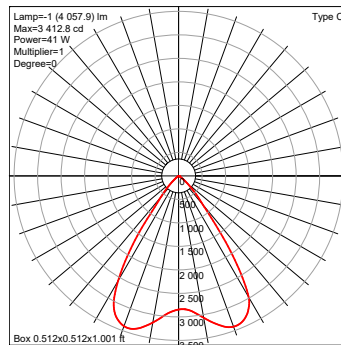
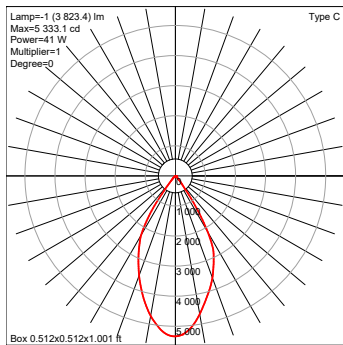
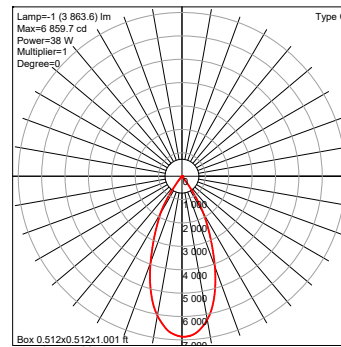
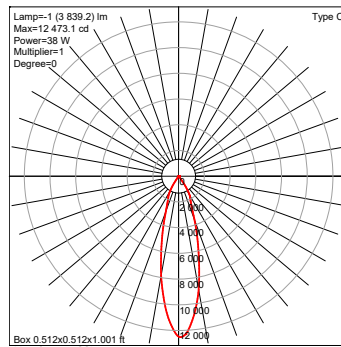
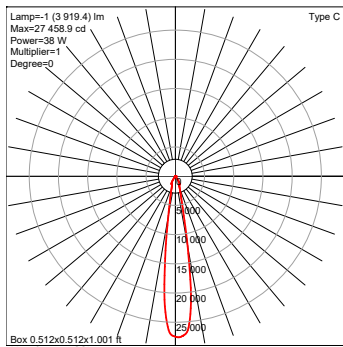
IES Multiplier	
Color	Multiplier
927	0.92
930	0.95
935	0.98
940	1.00

*83CR1s:1.15 Consult factory.

TRIAC & ELV Approved Dimmer List	
Manufacturer	Manufacturer Part Number
Lutron	Glyder GLV-600
	Diva DVLV-600P
	Diva DV-600P
	Diva DVELV-600P(303)
	Maestro MALV-600
	Nova T NT-1000
	Nova T NTELV-600
Leviton	Skylark SLV-600P
	RadioRA2-10ND
	SureSlide 6633
	Illumatech IPE04

0-10V Approved Dimmer List	
Manufacturer	Manufacturer Part Number
Lutron	Diva DVSTV-XX
	Diva DVSTV-453PH-WH1
Leviton	Illumatech 010-IP710-DLZ

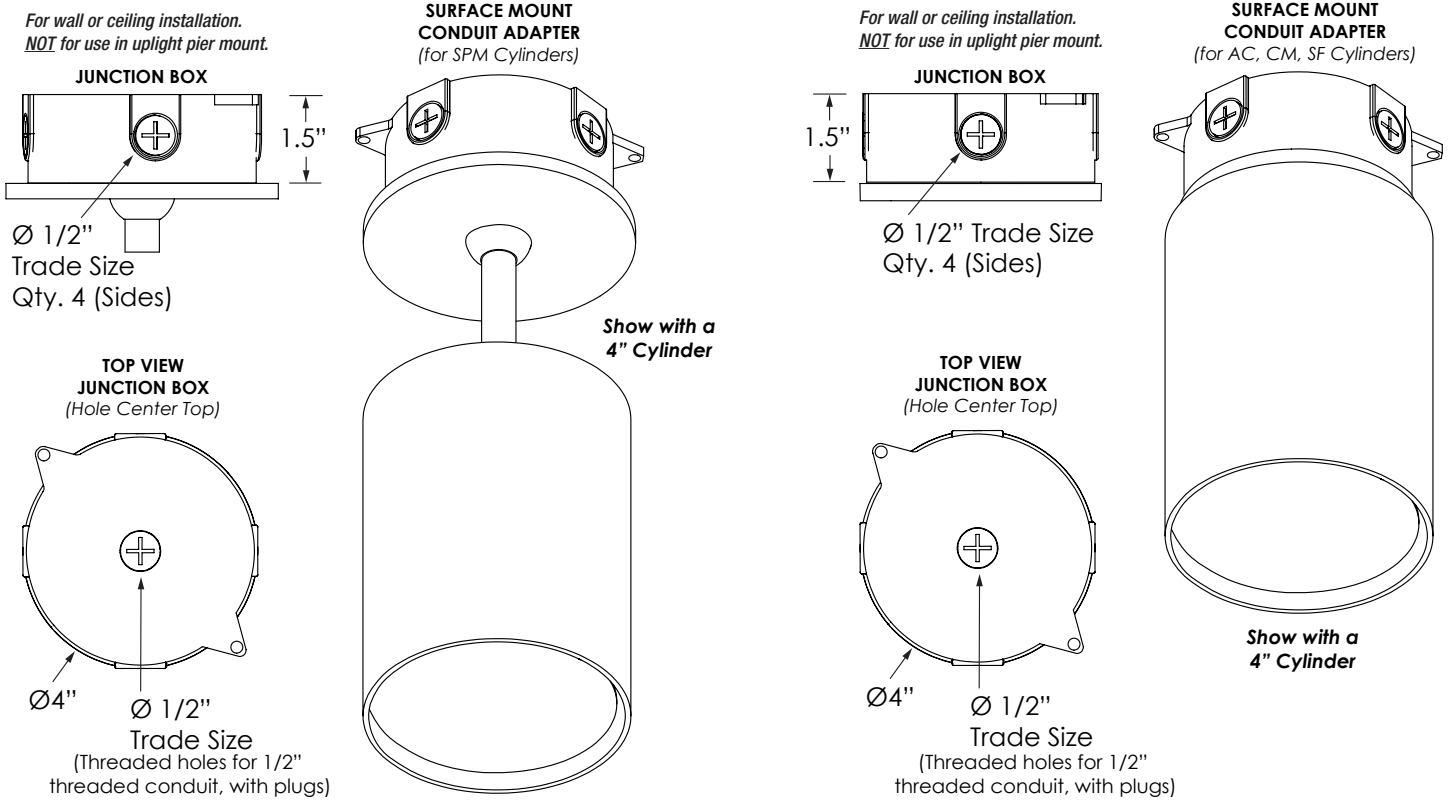
PHOTOMETRICS



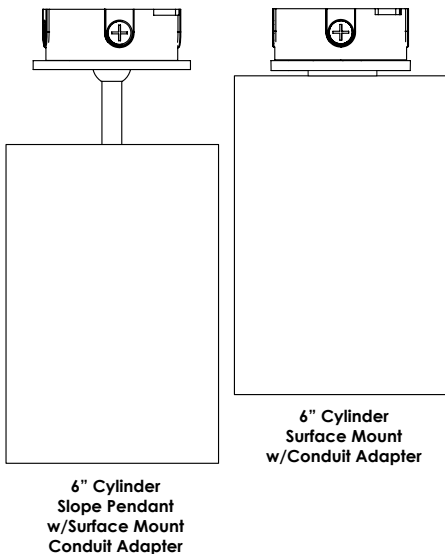
SSC6 Six-Inch Round Seamless Indoor Cylinder

CO Option

Surface Mount Conduit Adapter



Surface Mount Conduit Adapter can be added to any of the AC, CM, SF and SPM Mounts



SSC6 Six-Inch Round Seamless Indoor Cylinder

MRA Option

Mud Ring Adapter

