

Date: _____
 Type: _____
 Fixture: _____
 Project: _____

Approved: _____

SSC8GAR Eight-Inch Round Seamless Indoor Cylinder

Adjustable Gimbal Ring with Remote Driver and Battery Backup



FEATURES

- Up to 3500 lumens (4000K)
- No visible seams or fasteners
- Tool-less field interchangeable optics
- Quick twist-lock mounting
- Adjustable gimbal
- 93 CRI with 2 SDCM

PERFORMANCE

Beam Spread: 15°, 25°, 60°
CCT Options: 2700K, 3000K, 3500K, 4000K
CRI: 93 CRI
Consistency: 2 SDCM (Luminaire to Luminaire)
Lumens: 2000 - 3500 lumens (nominal)
Lumen Maintenance: L70 > 70,000 hours

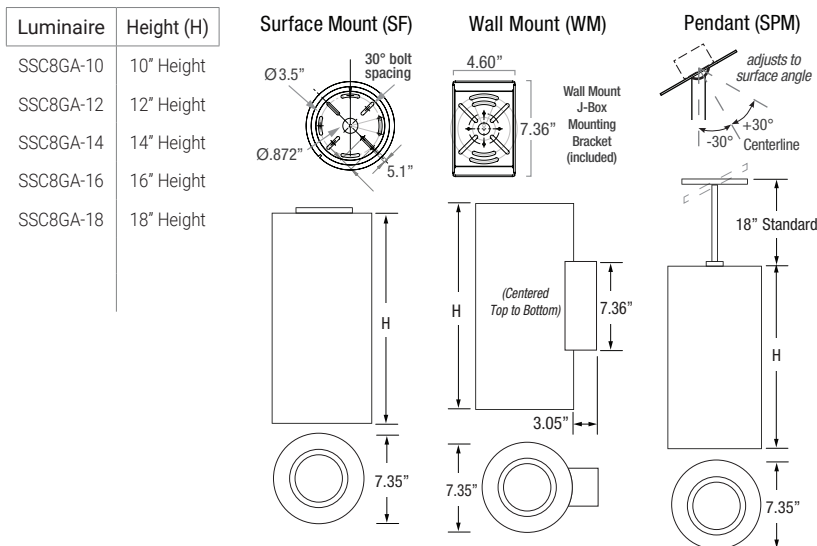
PHYSICAL

Mounting: Slope pendant and surface mounts with twist-lock canopy, wall mount or through drywall using optional mud ring adapter.
Housing: Marine grade, corrosion resistant, solid aluminum extrusion, high pressure die-cast aluminum components, black baffle.
Finish: Six stage chemical iron phosphate conversion pre-treatment. Polyester powder coat finish, 18 µm minimum, 3,000 hour salt spray test (ASTM B117) AAMA 2603 specification.
Warranty: 5-Year limited warranty
Lens: IK05 impact compliant, clear anti-glare tempered glass
Ingress Protection: Dry or damp locations IP43 rated
Vibration Resistance: Seismic rated AC-156
Weight: 8-12 lbs (Depending on Length)
Operating Temperature: -22°F to 122°F (-30°C to 50°C)

ELECTRICAL

Voltage: Universal 120 - 277 VAC standard, 347 VAC optional
Power Supply: Integral Class II, electronic high-power factor >.90, THD < 20%, FCC Title 47 Part 15 Class A.
Power Consumption: Maximum 34W
Dimming: standard: Tri-Dim includes 0-10V, 1%, TRIAC and ELV
Standards:
 • cETLus Listed, CE, NOM, and RoHS Compliant.

PHYSICAL DIMENSIONS



Date:	Approved:
Type:	
Fixture:	
Project:	

SSC8GAR Eight-Inch Round Seamless Indoor Cylinder

PRODUCT CODE

EXAMPLE: SSC8GAR-10-SPM18-UNV-930-10L-BKI-15-TD

MODEL	HEIGHT	MOUNTING	SUSP. LENGTH	VOLTAGE	COLOR	LUMENS	FINISH	OPTIC	DIMMING	OPTIONS	BATTERY
SSC8GAR											

<p>MODEL</p> <p>SSC8GAR LED DRIVER REMOTE (INDOOR) IP20, IK08, NEMA 1, -20°C to +50°C, 30' MAX Distance with 12AWG</p> <p>HEIGHT</p> <p>10 10" Height 12 12" Height 14 14" Height 16 16" Height 18 18" Height</p> <p>MOUNTING</p> <p>SF Surface Mount WM Wall Mount SPM Pendant Mount</p> <p>SPM LENGTH</p> <p>Specify the optional suspension length in inches. (Top of luminaire to ceiling) (SPM 18" Standard, 6"-120" Max; 61"-120" w/LD & ET Only and stem comes in 2 sections) *Consult factory & price guide for other lengths.</p> <p>VOLTAGE</p> <p>UNV Universal 120 - 277 VAC 347V 347 VAC</p>	<p>COLOR</p> <p>927 (93CRI) 2700K 930 (93CRI) 3000K 935 (93CRI) 3500K 940 (93CRI) 4000K</p> <p>LUMENS nominal</p> <p>20L 2000 lm @ 18 W 25L 2500 lm @ 23 W 30L 3000 lm @ 27 W 35L 3500 lm @ 34 W</p> <p>FINISH</p> <p>BKI Black BRI Bronze SLI Silver WHI White CCI Custom Color</p>	<p>OPTIC nominal</p> <p>15 15° Spot 25 25° Mid Spot 60 60° Flood</p> <p>w/SOFT FIELD</p> <p>N/A (Leave Blank)</p> <p>DIMMING</p> <p>TD Tri-Dim (0-10V 1%, TRIAC & ELV) LD347 0-10V 1% (347 VAC Only)</p> <p>OPTIONS</p> <p>HC Honeycomb Louver MRA Mud Ring Adapter</p> <p>BATTERY</p> <p>BBUR BATTERY BACK-UP & LED DRIVER REMOTE (INDOOR), IP20, IK08, NEMA 1, 0°C to +48°C, 30' MAX Distance with 12AWG (w/UNV Option Only)</p>
---	--	--

SSC8GAR Eight-Inch Round Seamless Indoor Cylinder

LUMENS / WATTAGE nominal

Model	Watts	940
SSC8GAR	18 W	2000 lm
	23 W	2500 lm
	27 W	3000 lm
	34 W	3500 lm

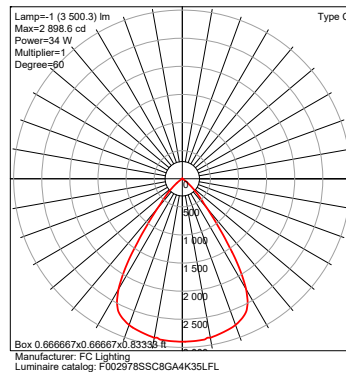
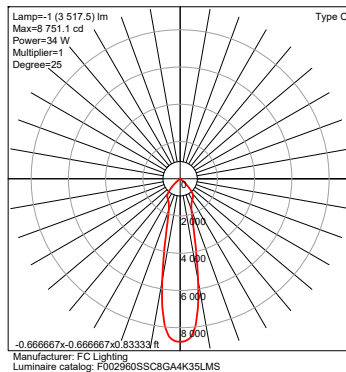
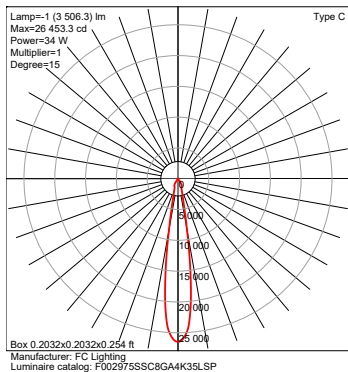
IES Multiplier	
Color	Multiplier
927	0.93
930	0.97
935	0.99
940	1.00

*83CRI/5.15 Consult factory.

TRIAC & ELV Approved Dimmer List	
Manufacturer	Manufacturer Part Number
Lutron	Glyder GLV-600
	Diva DVLV-600P
	Diva DV-600P
	Diva DVELV-600P(303)
	Maestro MALV-600
	Nova T NT-1000
	Nova T NTELV-600
Leviton	Skylark SLV-600P
	RadioRA2-10ND
	SureSlide 6633
illumatech IPE04	

0-10V Approved Dimmer List	
Manufacturer	Manufacturer Part Number
Lutron	Diva DVSTV-XX
	Diva DVSTV-453PH-WH1
Leviton	illumatech 010-IP710-DLZ

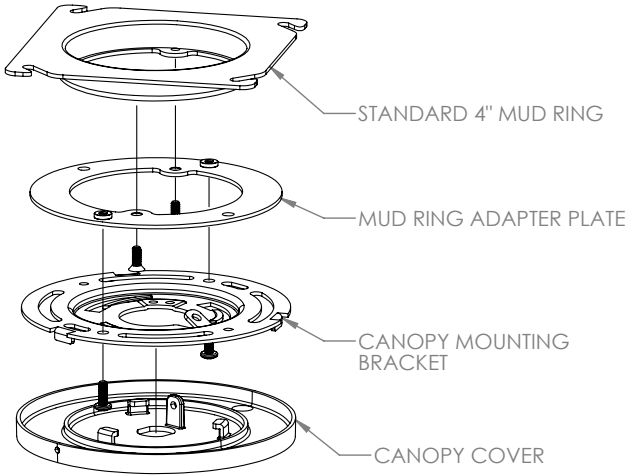
PHOTOMETRICS



SSC8GAR Eight-Inch Round Seamless Indoor Cylinder

MRA Option

Mud Ring Adapter



BATTERY BACK-UPS

BBUR - BATTERY BACK-UP & LED DRIVER REMOTE (INDOOR), IP20, IK08, NEMA 1, 0°C to +48°C, 30' MAX Distance with 12AWG (w/UNV Option Only)

