

Date: \_\_\_\_\_

Type: \_\_\_\_\_

Fixture: \_\_\_\_\_

Project: \_\_\_\_\_

Approved: \_\_\_\_\_

# SSC8R16 Eight-Inch Round Seamless Indoor Cylinder

## Twin-Conductor Mount Up/Down Lighting with Remote Drivers



### FEATURES

- Up / Down Lighting from 3,000 up to 15,000 Lumens
- Remote Driver with Dual 0-10V Dimming 1% Standard
- 80 Unique Optical Combinations
- Kevlar-Reinforced Twin-Conductor Cable Technology
- Tool-less field interchangeable optics
- No visible seams or fasteners
- Multiple housing colors

### PERFORMANCE

**Beam Spread:** 15°, 25°, 40°, 50°, 72°, 90°  
**CCT Options:** 2700K, 3000K, 3500K, 4000K, 5000K  
**CRI:** 93 CRI  
**Consistency:** 2 SDCM (Luminaire to Luminaire)  
**Lumens:** 3000-15000 lumens (typical)  
**Lumen Maintenance:** L70 > 70,000 hours

### PHYSICAL

**Mounting:** Twin-Conductor with canopy for remote driver  
**Housing:** No visible seams or fasteners, marine grade, corrosion resistant, solid aluminum extrusion, high pressure die-cast aluminum components, colored baffle.  
**Finish:** Six stage chemical iron phosphate conversion pre-treatment. Polyester powder coat finish, 18 µm minimum, 3,000 hour salt spray test (ASTM B117) AAMA 2603 specification.  
**Warranty:** 5-Year limited warranty  
**Lens:** IK05 impact compliant, clear anti-glare tempered glass. The Soft Field Lens option provides diffusion, reduces glare, and enhances visual comfort.  
**Ingress Protection:** Dry or damp locations IP43 rated  
**Weight:** 11 lbs  
**Operating Temperature:** -22°F to 122°F (-30°C to 50°C)

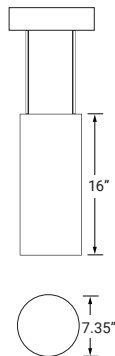
### ELECTRICAL

**Voltage:** Universal 120 - 277 VAC  
**Power Supply:** Integral Class II, electronic high-power factor >.90, THD < 20%, FCC Title 47 Part 15 Class A.  
**Power Consumption:** Maximum 73W per orientation  
**Dimming: standard:** 0-10V Dimming, 1%  
**Standards:**  
 • cETLus Listed and RoHS Compliant.  
 • Tested to UL 1598 and UL 8750 standards / UL-Class I / IES LM-79 / LM-80 / FCC Part 15.

## PHYSICAL DIMENSIONS

Luminaire	Height
SSC8R16-ACR	16" Height

Twin-Conductor Cable Remote Power



Date: \_\_\_\_\_  
 Type: \_\_\_\_\_  
 Fixture: \_\_\_\_\_  
 Project: \_\_\_\_\_

Approved: \_\_\_\_\_

# SSC8R16 Eight-Inch Round Seamless Indoor Cylinder

## PRODUCT CODE

EXAMPLE: SSC8R16-ACR120-UNV-927-2525L-BKI-D15U25-LD2

MODEL	MOUNTING	SUSP. LENGTH	VOLTAGE	COLOR	LUMENS	FINISH	DOWN OPTICS	UP OPTICS	DIMMING	OPTIONS
<b>SSC8R16</b>	<b>ACR120</b>	<b>UNV</b>							<b>LD2</b>	

MODEL	DESCRIPTION
<b>SSC8R16</b>	16" Height
	LED DRIVER REMOTE (INDOOR) IP20, IK08, NEMA 1, -20°C to +50°C, 30' MAX Distance with 12AWG (Remote Driver in Canopy)

MOUNTING	DESCRIPTION
<b>ACR</b>	Twin-Conductor Cable, Remote

ACR SUSPENSION LENGTH	DESCRIPTION
<b>120</b>	120" Suspension length (top of luminaire to ceiling, field adjustable)

VOLTAGE	DESCRIPTION
<b>UNV</b>	Universal 120 - 277 VAC

COLOR	DESCRIPTION
<b>927</b>	(93CRI) 2700K
<b>930</b>	(93CRI) 3000K
<b>935</b>	(93CRI) 3500K
<b>940</b>	(93CRI) 4000K
<b>950</b>	(93CRI) 5000K

DOWN LUMENS (typical)	UP LUMENS
<b>15</b>	1500 lm (Only 93 CRI) <b>15L</b>
<b>20</b>	2000 lm (Only 93 CRI) <b>20L</b>
<b>25</b>	2500 lm (Only 93 CRI) <b>25L</b>
<b>30</b>	3000 lm (Only 93 CRI) <b>30L</b>
<b>35</b>	3500 lm (Only 93 CRI) <b>35L</b>
<b>40</b>	4000 lm (Only 93 CRI) <b>40L</b>
<b>45</b>	4500 lm (Only 93 CRI) <b>45L</b>
<b>50</b>	5000 lm (Only 93 CRI) <b>50L</b>
<b>55</b>	5500 lm (Only 93 CRI) <b>55L</b>
<b>60</b>	6000 lm (Only 93 CRI) <b>60L</b>
<b>65</b>	6500 lm (Only 93 CRI) <b>65L</b>
<b>70</b>	7000 lm (Only 93 CRI) <b>70L</b>
<b>75</b>	7500 lm (Only 93 CRI) <b>75L</b>

FINISH	DESCRIPTION
<b>BKI</b>	Black
<b>BRI</b>	Bronze
<b>SLI</b>	Silver
<b>WHI</b>	White
<b>CCI</b>	Custom Color

DOWN OPTICS	(typical)	UP OPTICS
<b>D15</b>	Spot (15°)	<b>N/A</b>
<b>D25</b>	Narrow Flood (25°)	<b>U25</b>
<b>D40</b>	Mid Flood (40°)	<b>N/A</b>
<b>D50</b>	Flood (50°)	<b>U50</b>
<b>D72</b>	Wide Flood (72°)	<b>U72</b>
<b>N/A</b>	Very Wide Flood (90°)	<b>U90</b>

WITH SOFT FIELD LENS		
<b>D15S</b>	Spot (15°)	<b>N/A</b>
<b>D25S</b>	Narrow Flood (25°)	<b>U25S</b>
<b>D40S</b>	Mid Flood (40°)	<b>N/A</b>
<b>D50S</b>	Flood (50°)	<b>U50S</b>
<b>D72S</b>	Wide Flood (72°)	<b>U72S</b>
<b>N/A</b>	Very Wide Flood (90°)	<b>U90S</b>

DIMMING (MANDATORY)	
<b>LD2</b>	0-10V Dimming, 1% (Qty. 2) (2 Separate Circuits: Individual Control of Power and Dimming for Up/Down Lighting)

\*All drivers listed above are remote in canopy.

OPTIONS	
<b>BRB</b>	Bronze Baffle Finish (Black finish standard)
<b>SLB</b>	Silver Baffle Finish (Black finish standard)
<b>WHB</b>	White Baffle Finish (Black finish standard)

# SSC8R16 Eight-Inch Round Seamless Indoor Cylinder

## LUMENS / WATTAGE typical

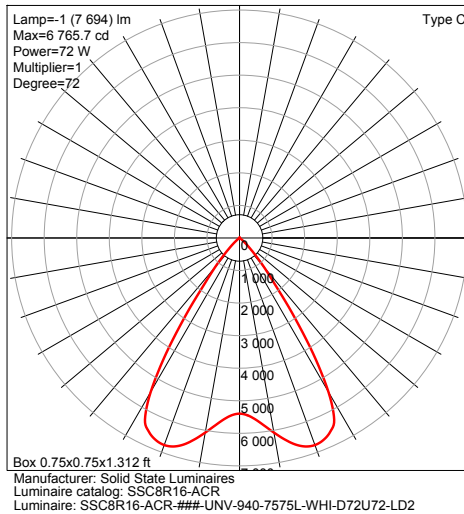
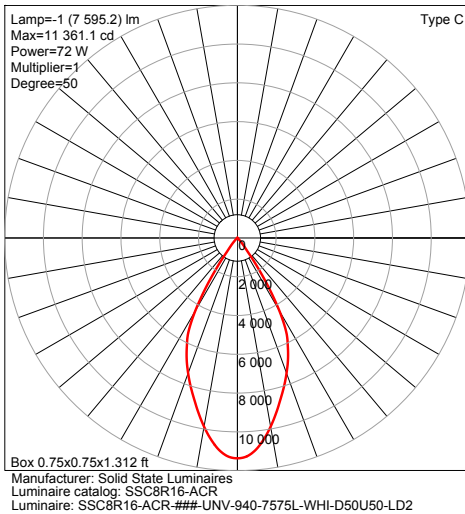
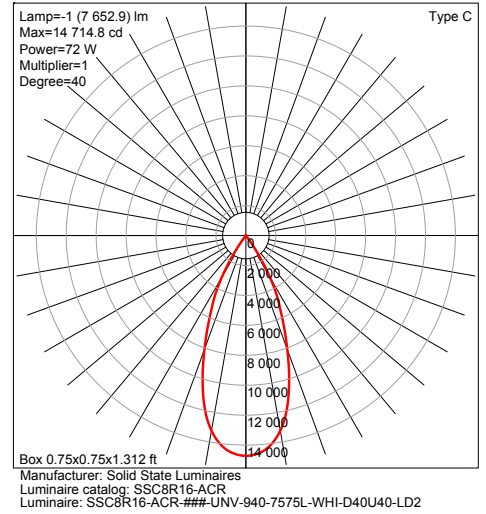
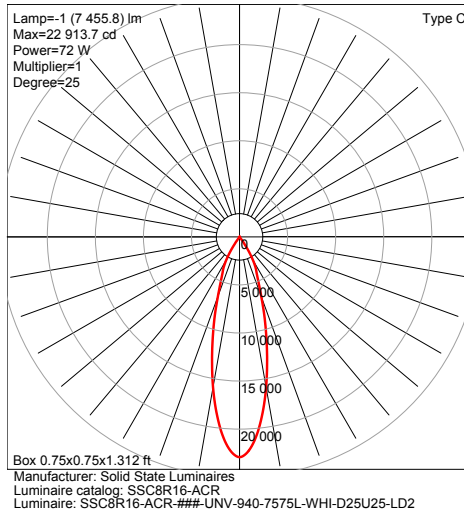
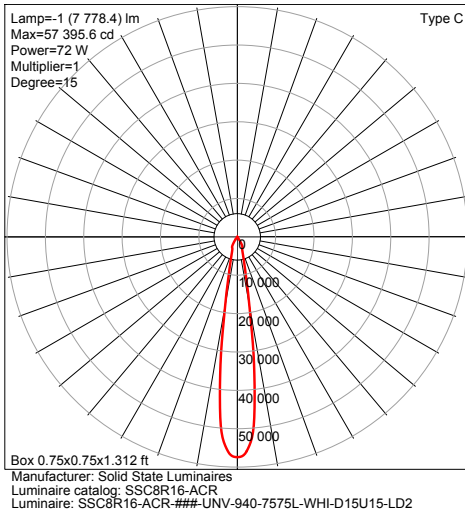
Model	LUMENS	WATTS
SSC8R16 (4K)	15L	16
	20L	20
	25L	25
	30L	29
	35L	34
	40L	39
	45L	44
	50L	50
	55L	55
	60L	58
	65L	64
	70L	66
75L	72	

CCT MULTIPLIER	
27K	0.89
30K	0.95
35K	0.99
40K	1.00
50K	1.01

Note: 83CRI  $\leq$  1.18  
Consult factory.

0-10V Approved Dimmer List	
Manufacturer	Manufacturer Part Number
Lutron	Diva DVSTV-XX
	Diva DVSTV-453PH-WH1
Leviton	illumatech 010-IP710-DLZ

## PHOTOMETRICS - DOWN LIGHT



Due to continuous development and improvements, specifications are subject to change without notice.  
Product use certifies agreement to Solid State Luminaires terms and conditions.

# SSC8R16 Eight-Inch Round Seamless Indoor Cylinder

## PHOTOMETRICS - UPLIGHT

