

SSC8 Eight-Inch Round Seamless Indoor Cylinder

Integral Driver and Battery Backup



FEATURES

- Up to 7500 lumens (4000K)
- No visible seams or fasteners
- Tool-less field interchangeable optics
- Integral battery backup and integral driver
- Multiple housing colors
- 93 CRI with 2 SDCM

PERFORMANCE

Beam Spread: 15°, 25°, 50°, 72°, Wall Wash
CCT Options: 2700K, 3000K, 3500K, 4000K, 5700K
CRI: 93 CRI
Consistency: 2 SDCM (Luminaire to Luminaire)
Lumens: 2000 - 7500 lumens (typical)
Lumen Maintenance: L70 > 70,000 hours

PHYSICAL

Mounting: Aircraft cable, slope pendant, surface, wall, yoke with twist-lock canopy or through drywall using optional mud ring adapter.

Housing: No visible seams or fasteners, marine grade, corrosion resistant, solid aluminum extrusion, high pressure die-cast aluminum components, colored baffle.

Finish: Six stage chemical iron phosphate conversion pre-treatment. Polyester powder coat finish, 18 µm minimum, 3,000 hour salt spray test (ASTM B117) AAMA 2603 specification.

Warranty: 5-Year limited warranty

Lens: IK05 impact compliant, clear anti-glare tempered glass. The Soft Field Lens option provides diffusion, reduces glare, and enhances visual comfort.

Ingress Protection: Dry or damp locations IP43 rated

Weight: 8-12 lbs (Depending on Length)

Operating Temperature: -22°F to 122°F (-30°C to 50°C)

ELECTRICAL

Voltage: Universal 120 - 277 VAC

Power Supply: Integral Class II, electronic high-power factor >.90, THD < 20%, FCC Title 47 Part 15 Class A.

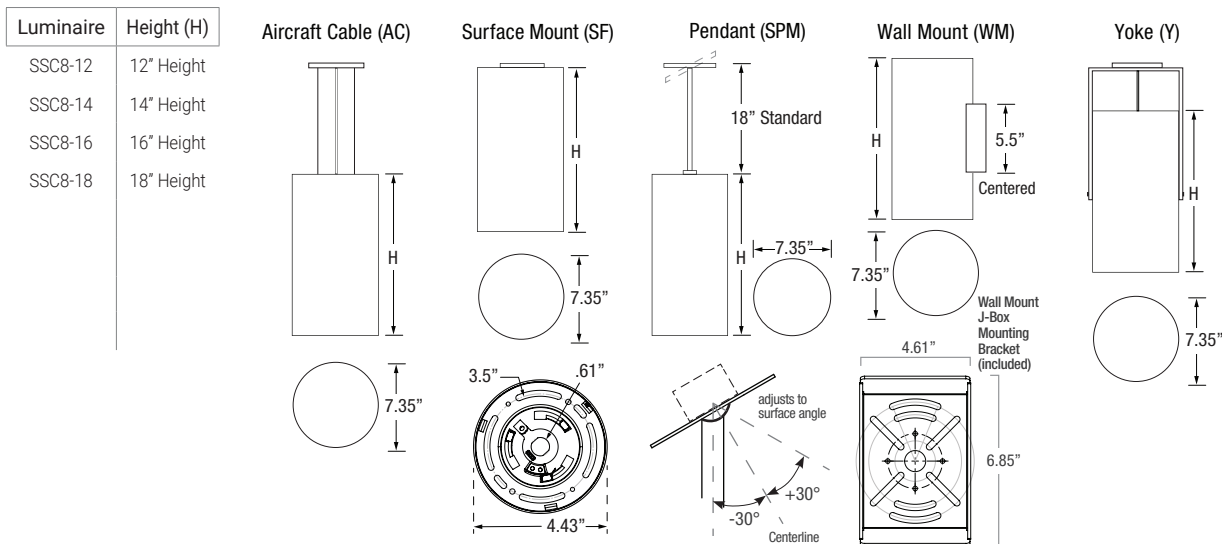
Power Consumption: Maximum 82W

Dimming: standard: 0-10V Dimming, 1%, optional: LD

Standards:

- cETLus Listed, CE, NOM, and RoHS Compliant.
- Tested to UL 1598 and UL 8750 standards / UL-Class I / IES LM-79 / LM-80 / FCC Part 15.

PHYSICAL DIMENSIONS



Date: _____
 Type: _____
 Fixture: _____
 Project: _____

Approved: _____

SSC8 Eight-Inch Round Seamless Indoor Cylinder

PRODUCT CODE

EXAMPLE: SSC8-12-SPM18-UNV-930-10L-BKI-15-LD

MODEL	HEIGHT	MOUNTING	SUSP. LENGTH	VOLTAGE	COLOR	LUMENS	FINISH	OPTIC	DIMMING	OPTIONS	BATTERY
SSC8											

MODEL
SSC8

HEIGHT
 12 12" Height
 14 14" Height
 16 16" Height
 18 18" Height

MOUNTING
 AC Aircraft Cable
 SF Surface Mount
 SPM Pendant Mount
 WM Wall Mount
 Y Yoke

AC/SPM SUSPENSION LENGTH
 Specify the optional suspension length in inches. (Top of luminaire to ceiling) (AC & CM 4"-120" Max, Field Adjustable) (SPM 18" Standard, 6"-120" Max; 61"-120" w/LD & ET Only and stem comes in 2 sections)
 *Consult factory & price guide for other lengths.

VOLTAGE
UNV Universal 120 - 277 VAC

COLOR
 927 (93CRI) 2700K
 930 (93CRI) 3000K
 935 (93CRI) 3500K
 940 (93CRI) 4000K
 957 (93CRI) 5700K
 830 (83CRI) 3000K (70L-75L Only)
 840 (83CRI) 4000K (70L-75L Only)

LUMENS typical
 20L 2000 lm (93 CRI Standard)
 25L 2500 lm (93 CRI Standard)
 30L 3000 lm (93 CRI Standard)
 35L 3500 lm (93 CRI Standard)
 40L 4000 lm (93 CRI Standard)
 45L 4500 lm (93 CRI Standard)
 50L 5000 lm (93 CRI Standard)
 55L 5500 lm (93 CRI Standard)
 60L 6000 lm (Min 14" H) (93 CRI Standard)
 65L 6500 lm (Min 14" H) (93 CRI Standard)
 70L 7000 lm (Min 16" H) (Only 83 CRI)
 75L 7500 lm (Min 16" H) (Only 83 CRI)

FINISH
 BKI Black
 BRI Bronze
 SLI Silver
 WHI White)
 CCI Custom Color

OPTIC typical		w/SOFT FIELD	
15	Spot (15°)	25S	Narrow Flood
25	Narrow Flood (25°)	40S	Mid Flood
40	Mid Flood (40°)	50S	Flood
50	Flood (50°)	72S	Wide Flood
72	Wide Flood (72°)	WW	Wall Wash (25° Optic Only)
15S	Spot		

DIMMING
 LD LED Dimming 0-10V, 1%
 ET ELV or TRIAC Driver (Only 10L-45L) (120V Phase Dimming Only with UNV Driver)
 XA DMX Dim to 0.1% (Only 10L-50L) (SF, SPM and WM Only)
 E1 eldoLED 0-10V, Dim to 0.1%, Dim-to-Off (Only 05L-50L)
 E2 eldoLED DALI-2 Dim to 0.1% (Only 05L-50L) (SF, SPM & WM Only)
 L1 Lutron Hi-Lume 1% Ecosystem (Digital Dimming), Soft-on Fade-to-Black (10L-30L)

OPTIONS
 CO Surface Mount Conduit Adapter
 MRA Mud Ring Adapter
 BRB Bronze Baffle Finish (Black finish standard)
 SLB Silver Baffle Finish (Black finish standard)
 WHB White Baffle Finish (Black finish standard)

BATTERY
BBU Battery Backup, Integral (Standard)

SSC8 Eight-Inch Round Seamless Indoor Cylinder

LUMENS / WATTAGE typical

Model	Watts	940
SSC8	22 W	2000 lm
	27 W	2500 lm
	33 W	3000 lm
	38 W	3500 lm
	44 W	4000 lm
	47 W	4500 lm
	49 W	5000 lm
	55 W	5500 lm
	60W	6000 lm
	66W	6500 lm
	74W	7000 lm
	82W	7500 lm

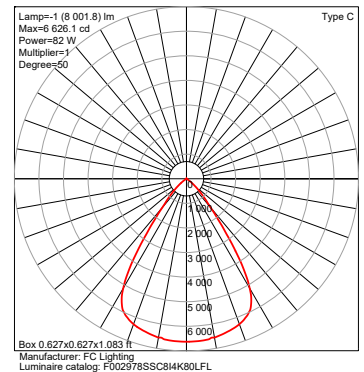
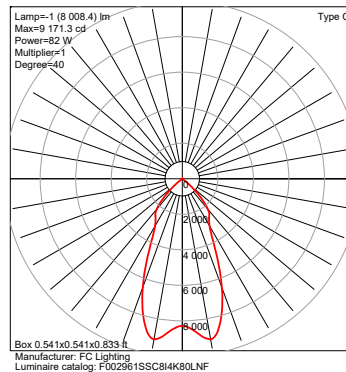
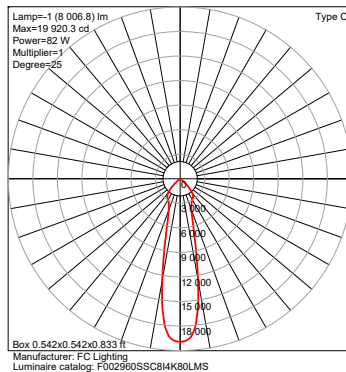
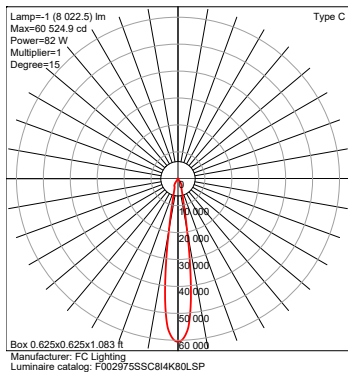
IES Multiplier	
Color	Multiplier
927	0.93
930	0.97
935	0.99
940	1.00

*83CRI≤1.15 Consult factory.

TRIAC & ELV Approved Dimmer List	
Manufacturer	Manufacturer Part Number
Lutron	Glyder GLV-600
	Diva DVLV-600P
	Diva DV-600P
	Diva DVELV-600P(303)
	Maestro MALV-600
	Nova T NT-1000
	Nova T NTELV-600
Leviton	Skylark SLV-600P
	RadioRA2-10ND
	SureSlide 6633
Illumatech IPE04	

0-10V Approved Dimmer List	
Manufacturer	Manufacturer Part Number
Lutron	Diva DVSTV-XX
	Diva DVSTV-453PH-WH1
Leviton	Illumatech 010-IP710-DLZ

PHOTOMETRICS

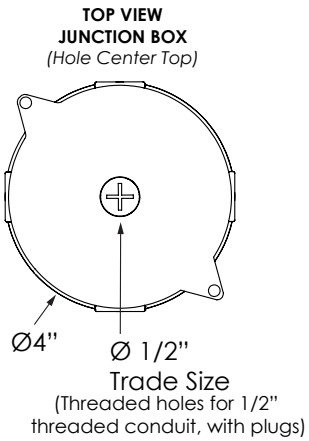
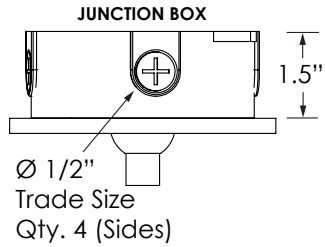


SSC8 Eight-Inch Round Seamless Indoor Cylinder

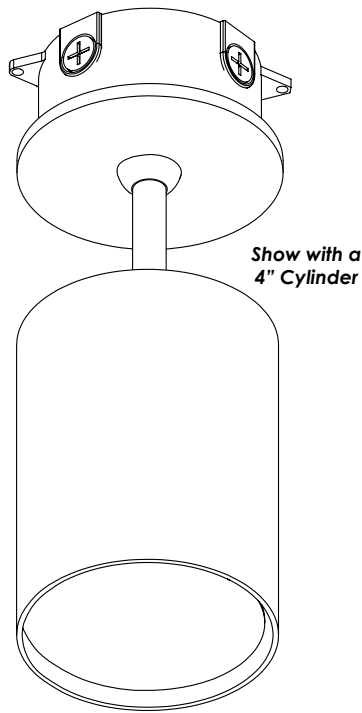
CO Option

Surface Mount Conduit Adapter

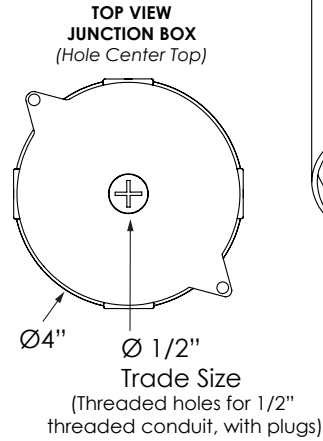
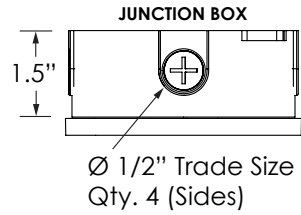
For wall or ceiling installation.
NOT for use in upright pier mount.



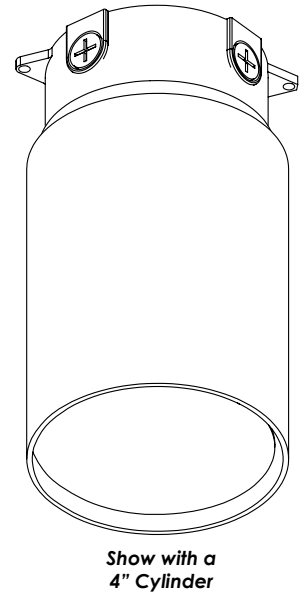
**SURFACE MOUNT
CONDUIT ADAPTER**
(for SPM Cylinders)



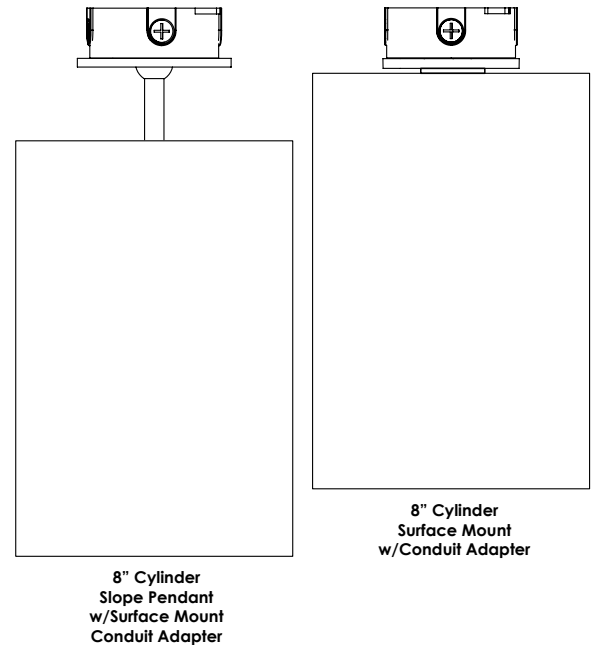
For wall or ceiling installation.
NOT for use in upright pier mount.



**SURFACE MOUNT
CONDUIT ADAPTER**
(for AC, CM, SF Cylinders)



**Surface Mount Conduit Adapter can be added to any
of the AC, CM, SF and SPM Mounts**



SSC8 Eight-Inch Round Seamless Indoor Cylinder

MRA Option

Mud Ring Adapter

