

Date: \_\_\_\_\_  
 Type: \_\_\_\_\_  
 Fixture: \_\_\_\_\_  
 Project: \_\_\_\_\_

Approved: \_\_\_\_\_

# SSC8R Eight-Inch Round Seamless Indoor Cylinder

**Remote Driver with Battery Backup**



## FEATURES

- Up to 7500 lumens (4000K)
- Multiple dimming options
- Tool-less field interchangeable optics
- No visible seams or fasteners
- Multiple housing colors
- 93 CRI with 2 SDCM

## PERFORMANCE

**Beam Spread:** 15°, 25°, 50°, 72°, Wall Wash  
**CCT Options:** 2700K, 3000K, 3500K, 4000K, 5700K  
**CRI:** 93 CRI  
**Consistency:** 2 SDCM (Luminaire to Luminaire)  
**Lumens:** 2000 - 7500 lumens (typical)  
**Lumen Maintenance:** L70 > 70,000 hours



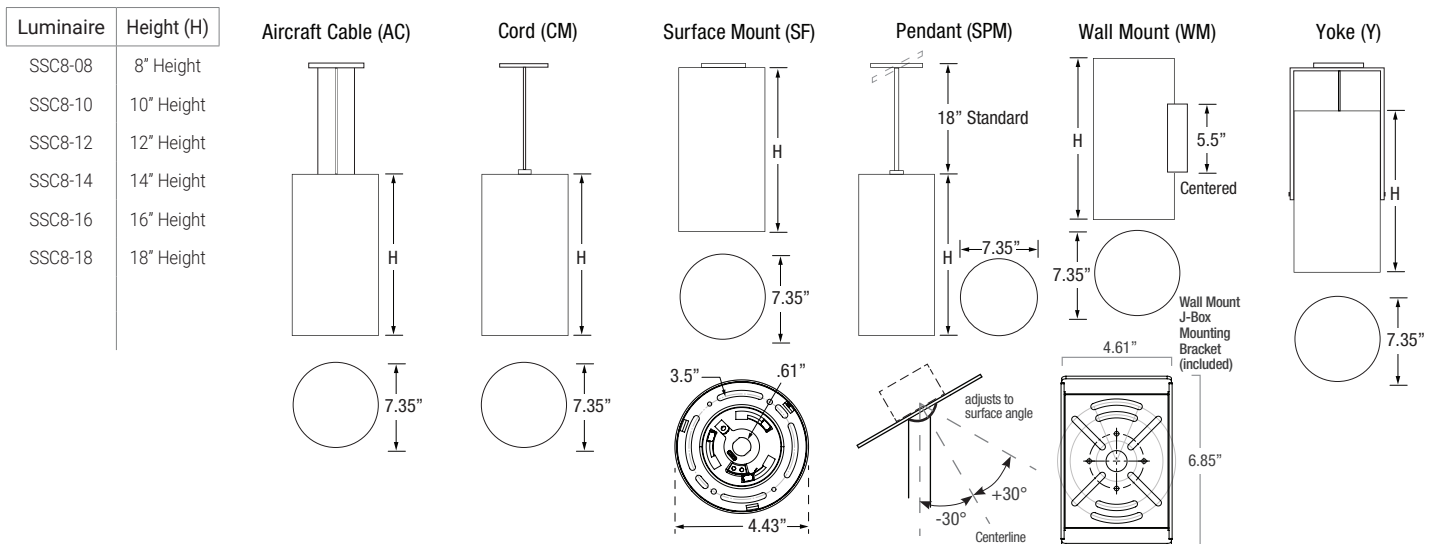
## PHYSICAL

**Mounting:** Aircraft cable, slope pendant, surface, wall, yoke with twist-lock canopy or through drywall using optional mud ring adapter.  
**Housing:** No visible seams or fasteners, marine grade, corrosion resistant, solid aluminum extrusion, high pressure die-cast aluminum components, colored baffle.  
**Finish:** Six stage chemical iron phosphate conversion pre-treatment. Polyester powder coat finish, 18 µm minimum, 3,000 hour salt spray test (ASTM B117) AAMA 2603 specification.  
**Warranty:** 5-Year limited warranty  
**Lens:** IK05 impact compliant, clear anti-glare tempered glass. The Soft Field Lens option provides diffusion, reduces glare, and enhances visual comfort.  
**Ingress Protection:** Dry or damp locations IP43 rated  
**Weight:** 8-12 lbs (Depending on Length)  
**Operating Temperature:** -22°F to 122°F (-30°C to 50°C)

## ELECTRICAL

**Voltage:** Universal 120 - 277 VAC  
**Power Supply:** Integral Class II, electronic high-power factor >.90, THD < 20%, FCC Title 47 Part 15 Class A.  
**Power Consumption:** Maximum 82W  
**Dimming:** standard: 0-10V Dimming, 1%, optional: ET, LD, XA, XB1, XB2, E1, E2, L1  
**Standards:**  
 • cETLus Listed, CE, NOM, and RoHS Compliant.  
 • Tested to UL 1598 and UL 8750 standards / UL-Class I / IES LM-79 / LM-80 / FCC Part 15.

## PHYSICAL DIMENSIONS



Due to continuous development and improvements, specifications are subject to change without notice. Product use certifies agreement to Solid State Luminaires terms and conditions.

Date: \_\_\_\_\_  
 Type: \_\_\_\_\_  
 Fixture: \_\_\_\_\_  
 Project: \_\_\_\_\_

Approved: \_\_\_\_\_

# SSC8R Eight-Inch Round Seamless Indoor Cylinder

## PRODUCT CODE

EXAMPLE: SSC8R-8-SPM18-UNV-930-10L-BKI-15-ET

MODEL	HEIGHT	MOUNTING	SUSP. LENGTH	VOLTAGE	COLOR	LUMENS	FINISH	OPTIC	DIMMING	OPTIONS	BATTERY
SSC8R											

**MODEL**  
**SSC8R**  
 LED DRIVER REMOTE (INDOOR)  
 IP20, IK08, NEMA 1, -20°C to +50°C,  
 30' MAX Distance with 12AWG

**HEIGHT**

- 8 8" Height
- 10 10" Height
- 12 12" Height
- 14 14" Height
- 16 16" Height
- 18 18" Height

**MOUNTING**

- AC Aircraft Cable w/Cord
- CM Cord Mount (14" H Max)
- SF Surface Mount
- SPM Pendant Mount
- WM Wall Mount
- Y Yoke

**AC/CM/SPM SUSPENSION LENGTH**  
 Specify the optional suspension length in inches. (Top of luminaire to ceiling) (AC & CM 4"-120" Max, Field Adjustable) (SPM 18" Standard, 6"-120" Max; 61"-120" w/LD & ET Only and stem comes in 2 sections) \*Consult factory & price guide for other lengths.

**VOLTAGE**  
**UNV** Universal 120 - 277 VAC

**COLOR**

- 927 (93CRI) 2700K
- 930 (93CRI) 3000K
- 935 (93CRI) 3500K
- 940 (93CRI) 4000K
- 957 (93CRI) 5700K
- 830 (83CRI) 3000K (70L-75L Only)
- 840 (83CRI) 4000K (70L-75L Only)

**LUMENS typical**

- 20L 2000 lm (93 CRI Standard)
- 25L 2500 lm (93 CRI Standard)
- 30L 3000 lm (93 CRI Standard)
- 35L 3500 lm (93 CRI Standard)
- 40L 4000 lm (93 CRI Standard)
- 45L 4500 lm (93 CRI Standard)
- 50L 5000 lm (93 CRI Standard)
- 55L 5500 lm (93 CRI Standard)
- 60L 6000 lm (Min 14" H) (93 CRI Standard)
- 65L 6500 lm (Min 14" H) (93 CRI Standard)
- 70L 7000 lm (Min 16" H) (Only 83 CRI)
- 75L 7500 lm (Min 16" H) (Only 83 CRI)

**FINISH**

- BKI Black
- BRI Bronze
- SLI Silver
- WHI White
- CCI Custom Color

OPTIC typical		w/SOFT FIELD	
15	Spot (15°)	25S	Narrow Flood
25	Narrow Flood (25°)	40S	Mid Flood
40	Mid Flood (40°)	50S	Flood
50	Flood (50°)	72S	Wide Flood
72	Wide Flood (72°)	WW	Wall Wash (25° Optic Only)
15S	Spot		

**DIMMING**

- ET ELV or TRIAC Driver (Only 10L-45L) (120V Phase Dimming Only with UNV Driver)
- LD 0-10V Dimming, 1%
- XA DMX Dim to 0.1% (Only 10L-50L)
- XB DMX Dim to 1% (55L-75L Only. Includes DMX to 0-10V Converter)
- E1 eldoLED 0-10V, Dim to 0.1%, Dim-to-Off (Only 05L-50L)
- E2 eldoLED DALI-2, Dim to 0.1%, Dim-to-Off (Only 05L-50L)
- L1 Lutron Hi-Lume 1% Ecosystem (Digital Dimming), Soft-on Fade-to-Black (20L-30L)

**OPTIONS**

- CO Surface Mount Conduit Adapter
- MRA Mud Ring Adapter
- BRB Bronze Baffle Finish (Black finish standard)
- SLB Silver Baffle Finish (Black finish standard)
- WHB White Baffle Finish (Black finish standard)

**BATTERY**  
**BBUR** BATTERY BACK-UP & LED DRIVER REMOTE (INDOOR), IP20, IK08, NEMA 1, 0°C to +48°C, 30' MAX Distance with 12AWG (w/UNV Option Only)

# SSC8R Eight-Inch Round Seamless Indoor Cylinder

## LUMENS / WATTAGE typical

Model	Watts	940
SSC8R	22 W	2000 lm
	27 W	2500 lm
	33 W	3000 lm
	38 W	3500 lm
	44 W	4000 lm
	47 W	4500 lm
	49 W	5000 lm
	55 W	5500 lm
	60W	6000 lm
	66W	6500 lm
	74W	7000 lm
	82W	7500 lm

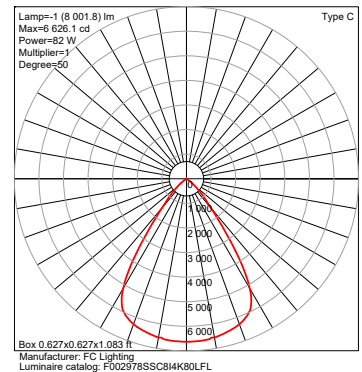
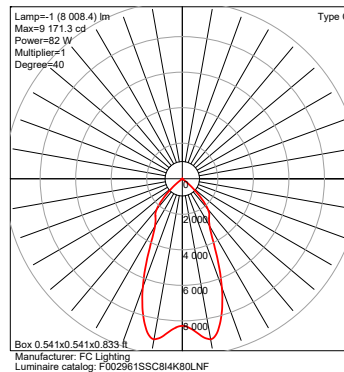
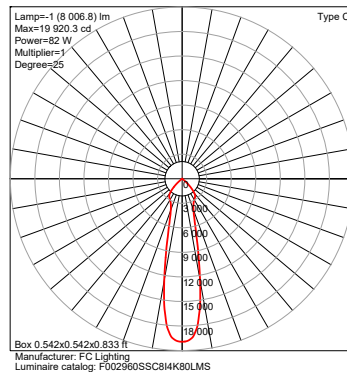
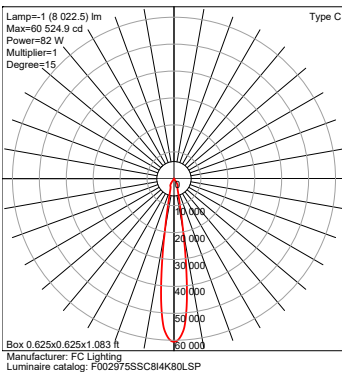
IES Multiplier	
Color	Multiplier
927	0.93
930	0.97
935	0.99
940	1.00

\*83CRI≤1.15 Consult factory.

TRIAC & ELV Approved Dimmer List	
Manufacturer	Manufacturer Part Number
Lutron	Glyder GLV-600
	Diva DVLV-600P
	Diva DV-600P
	Diva DVELV-600P(303)
	Maestro MALV-600
	Nova T NT-1000
	Nova T NTELV-600
Leviton	Skylark SLV-600P
	RadioRA2-10ND
	SureSlide 6633
Illumatech IPE04	

0-10V Approved Dimmer List	
Manufacturer	Manufacturer Part Number
Lutron	Diva DVSTV-XX
	Diva DVSTV-453PH-WH1
Leviton	Illumatech 010-IP710-DLZ

## PHOTOMETRICS

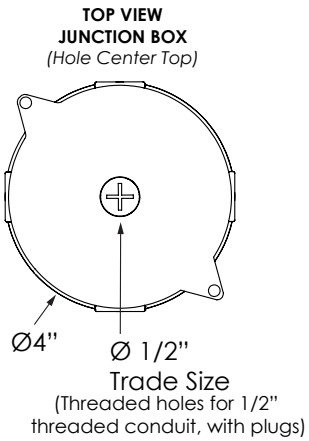
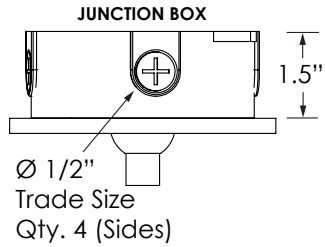


# SSC8R Eight-Inch Round Seamless Indoor Cylinder

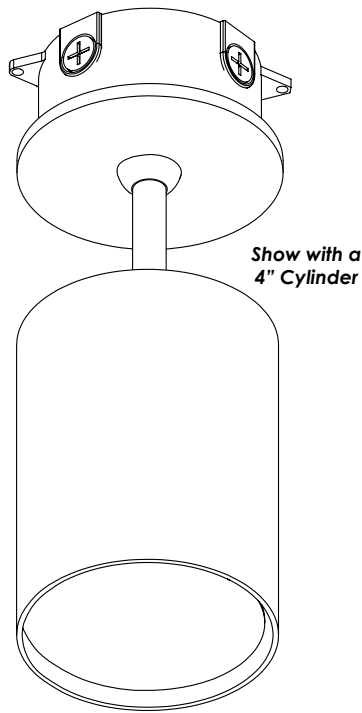
## CO Option

Surface Mount Conduit Adapter

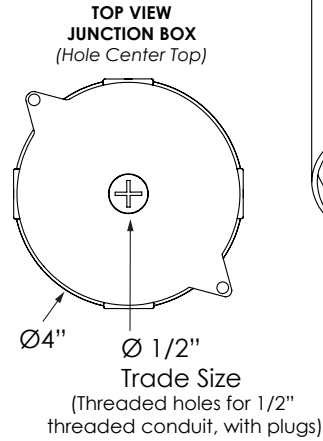
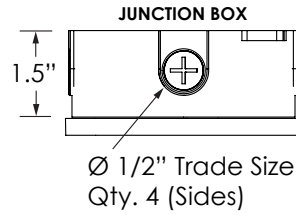
For wall or ceiling installation.  
*NOT* for use in upright pier mount.



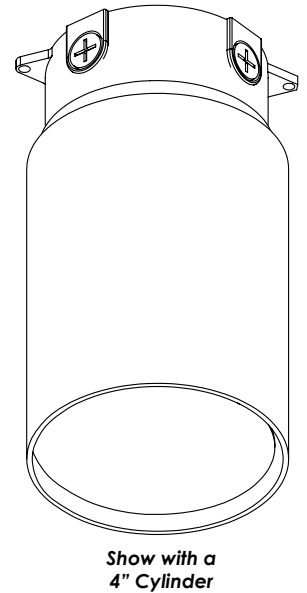
**SURFACE MOUNT  
CONDUIT ADAPTER**  
(for SPM Cylinders)



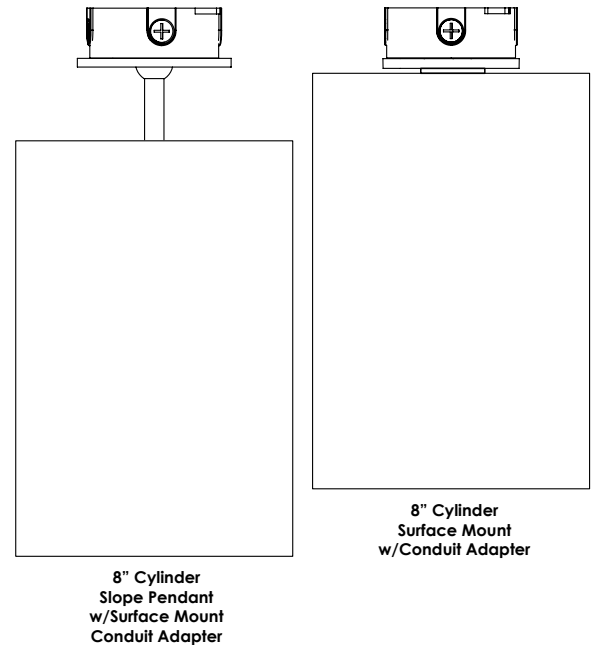
For wall or ceiling installation.  
*NOT* for use in upright pier mount.



**SURFACE MOUNT  
CONDUIT ADAPTER**  
(for AC, CM, SF Cylinders)



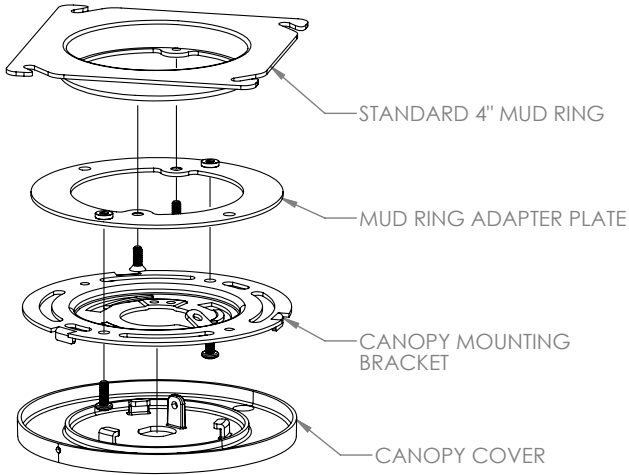
**Surface Mount Conduit Adapter can be added to any  
of the AC, CM, SF and SPM Mounts**



# SSC8R Eight-Inch Round Seamless Indoor Cylinder

## MRA Option

Mud Ring Adapter



## BATTERY BACK-UPS

**BBUR - BATTERY BACK-UP & LED DRIVER REMOTE (INDOOR), IP20, IK08, NEMA 1, 0°C to +48°C, 30' MAX Distance with 12AWG (w/UNV Option Only)**

