

CYLINDERS (AC: Aircraft Cable Mount) INSTALLATION INSTRUCTIONS

CAUTION: BEFORE CONNECTING THE FIXTURE TO A POWER SUPPLY, MAKE SURE THE POWER IS SWITCHED OFF.



NOTE: Includes models; SSC4R12-ACR, SSC6R14-ACR, SSC8R16-ACR

GENERAL:

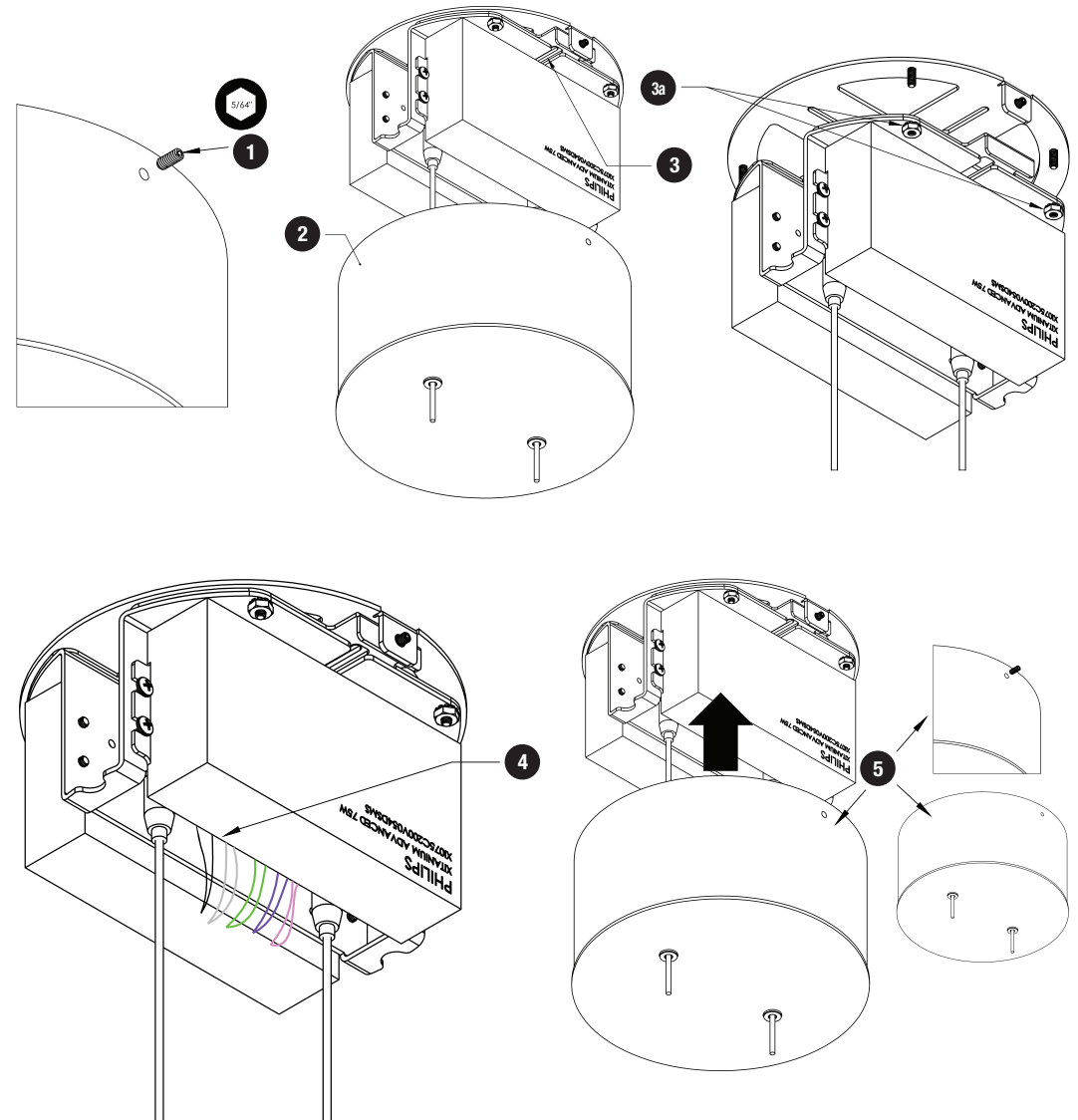
1. Fixture must be installed by licensed electrician.
2. All electrical connections must be in accordance with local codes, ordinances, or the National Electrical Code.
3. Before starting the installation, make sure all electricity has been turned off and electrical breaker has been locked out and tagged out.
4. To ensure the success of the installation, be sure to read these instructions and review the diagrams thoroughly before beginning.

NOTE: The important safeguards and instructions appearing in this manual are not meant to cover all possible conditions and situations that may occur.

INSTALLATION INSTRUCTIONS:

- 1) Remove both Set Screws located at the top of the Canopy. Set aside for later.
- 2) Carefully slide Canopy cover down Power Cables.
- 3) Using slots cut into the Canopy, attach Canopy to J-Box.
- 3a) If necessary, additional mounting locations can be uncovered by removing the 4 nuts located along the perimeter of the canopy.
- 4) Connect the White, Black and Green wires to input power from Junction Box. Dimming leads will also need to be connected to controls. **Height adjustment of Twin-Conductor Cable must be made at Cylinder End ONLY.**
- 5) Slide Canopy back into original position, re-fasten both Set Screws back into place.

DETAILED ILLUSTRATIONS



CYLINDERS (AC: Aircraft Cable Mount) INSTALLATION INSTRUCTIONS

CAUTION: BEFORE CONNECTING THE FIXTURE TO A POWER SUPPLY, MAKE SURE THE POWER IS SWITCHED OFF.



SSL
solid state luminaires

t 800.900.1730
3609 Swenson Ave.
St. Charles, IL 60174

NOTE: Includes models; SSC4R12-ACR, SSC6R14-ACR, SSC8R16-ACR

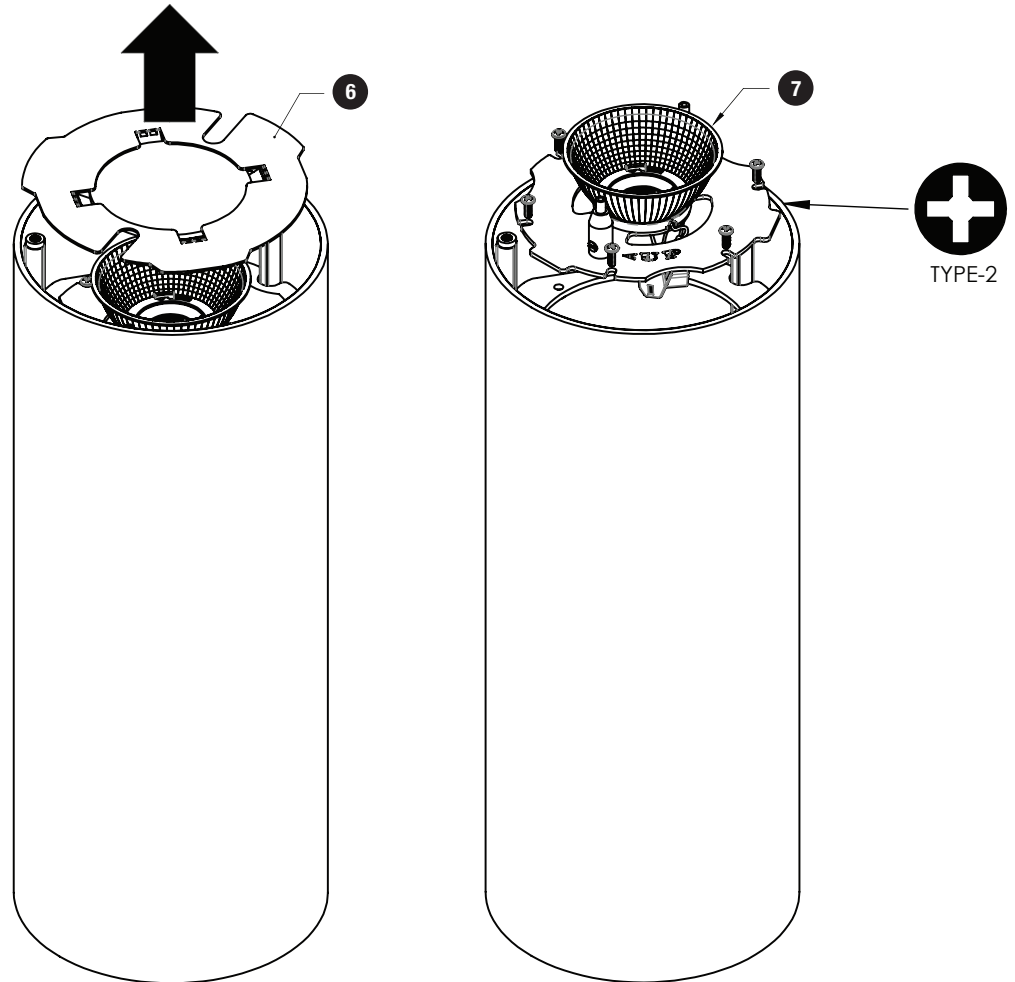
INSTALLATION INSTRUCTIONS:

6) Remove the Plate located at the top of the Cylinder. The Plate is held in place via magnets.

NOTE: Place the Plate in a safe place.

CAUTION: Fingerprint marks on glass can cause visual artifacts.

7) Unscrew the six **6-32** Screws on the top of the Cylinder using a Type-2 Phillips Head Screwdriver. Remove the LED Plate from the assembly.



CYLINDERS (AC: Aircraft Cable Mount) INSTALLATION INSTRUCTIONS

CAUTION: BEFORE CONNECTING THE FIXTURE TO A POWER SUPPLY, MAKE SURE THE POWER IS SWITCHED OFF.



NOTE: Includes models; SSC4R12-ACR, SSC6R14-ACR, SSC8R16-ACR

INSTALLATION INSTRUCTIONS:

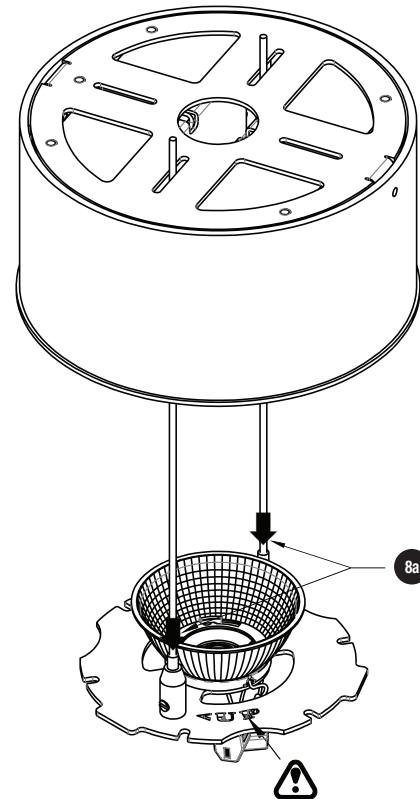
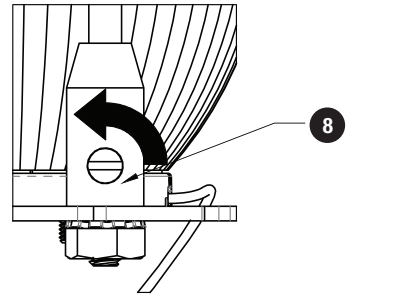
8) Unscrew the plastic Set Screw on both Cable-Grippers counterclockwise. This will allow the cable to pass through.

8a) Feed both Cables through the Grippers.

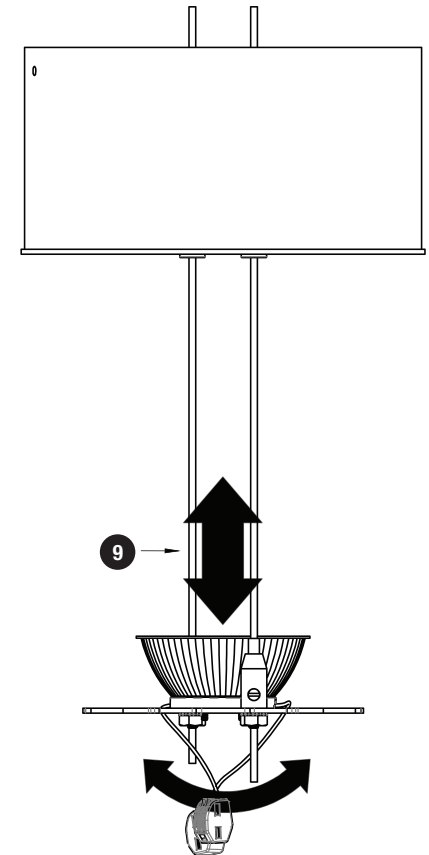
CAUTION: Ensure the labelled “Down” and “Up” Cables are connecting to the correctly marked Grippers. Failure to do so will result in inverted light output and dimming.

9) Manually adjust the Cable lengths on either side for desired distance to ceiling.
The base lengths for Cabling is 120 inches.

NOTE: For best results, use a leveling tool (not provided) to ensure Cylinder hangs straight.



DETAILED ILLUSTRATIONS



CYLINDERS (AC: Aircraft Cable Mount) INSTALLATION INSTRUCTIONS

CAUTION: BEFORE CONNECTING THE FIXTURE TO A POWER SUPPLY, MAKE SURE THE POWER IS SWITCHED OFF.



NOTE: Includes models; SSC4R12-ACR, SSC6R14-ACR, SSC8R16-ACR

DETAILED ILLUSTRATIONS

INSTALLATION INSTRUCTIONS:

10) It is recommended to trim the Cable to a length of 5 inches from the LED Plate.

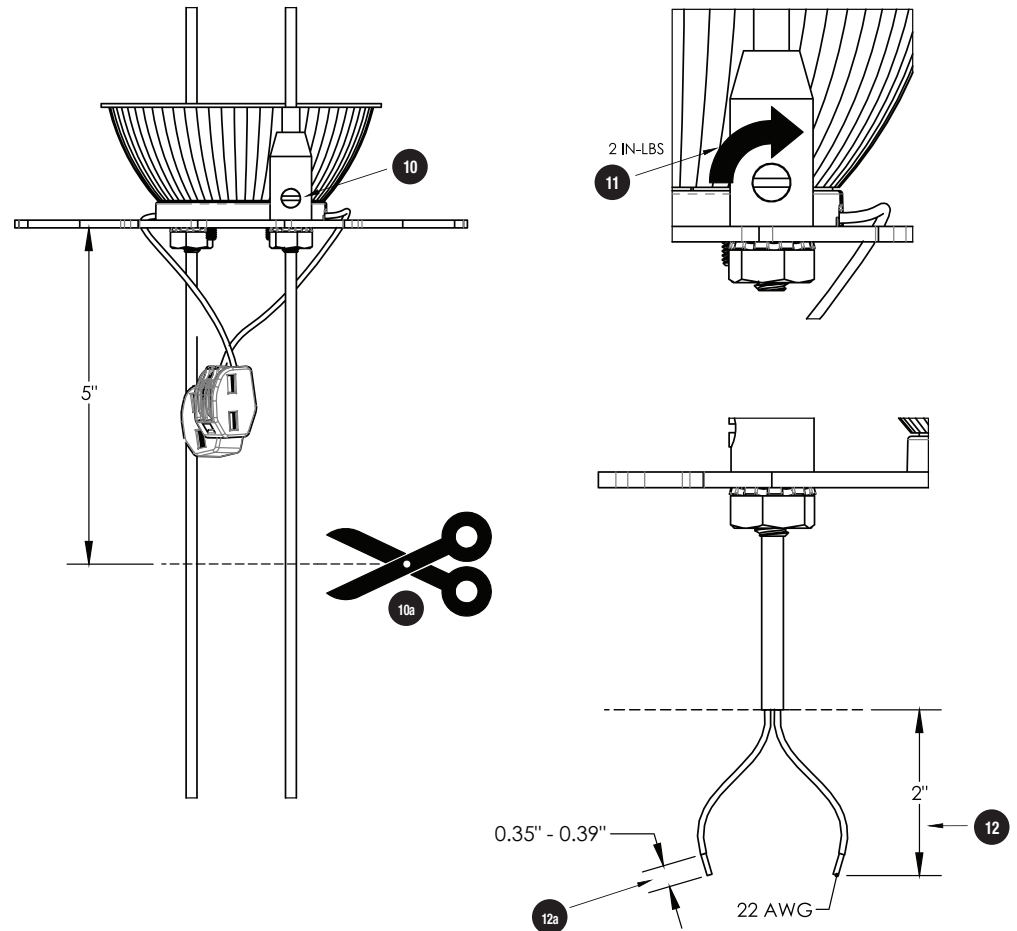
10a) A sharp pair of scissors is recommended for trimming excess Cable. The Kevlar reinforcement can get caught in other cutting implements.

11) When the desired distance is reached, use a Flat-Head Screwdriver to tighten the plastic Set Screw on both Grippers to **2 IN-LBS**.

WARNING: Failure to tighten to adequate torque can result in Gripper failure.

12) Strip the outer insulation from the Cables. At least 2 inches of exposed wiring is advised. It is recommended to use a wire stripping tool sized for 22 AWG solid wire (0.0806" ID)

12a) Strip the exposed leads to 0.35" - 0.39" [9 - 10mm] of exposed conductor.



CYLINDERS (AC: Aircraft Cable Mount) INSTALLATION INSTRUCTIONS

CAUTION: BEFORE CONNECTING THE FIXTURE TO A POWER SUPPLY, MAKE SURE THE POWER IS SWITCHED OFF.

NOTE: Includes models; SSC4R12-ACR, SSC6R14-ACR, SSC8R16-ACR



DETAILED ILLUSTRATIONS

INSTALLATION INSTRUCTIONS:

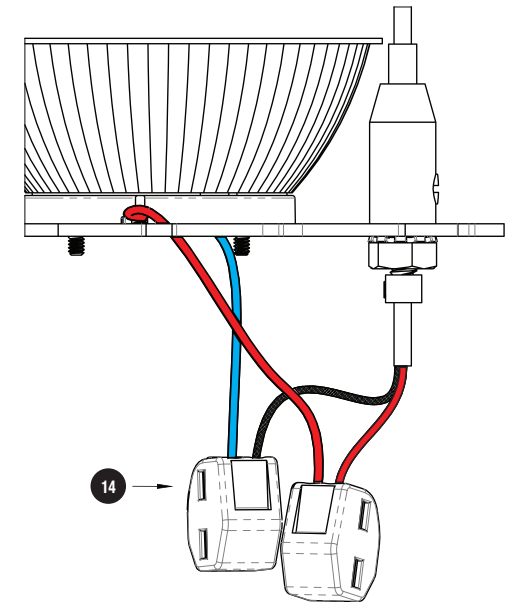
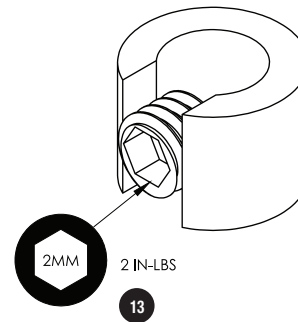
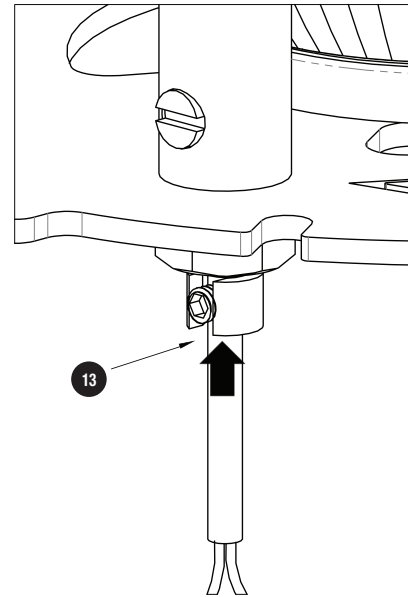
- 13) Slide the Cable-Lock up the Cable length so that it is in direct contact with the Gripper. Tighten it down to **2 IN-LBS**.

WARNING: Failure to apply the Cable-Lock and tighten to proper torque can result in Gripper failure.

- 14) Connect the dangling **TOP** Cable Leads to the Lever-Connector hanging from the COB Holder.

Black connects to **Blue**.

Red connects to **Red**.



Black connects to **Blue**.

Red connects to **Red**.

CYLINDERS (AC: Aircraft Cable Mount) INSTALLATION INSTRUCTIONS

CAUTION: BEFORE CONNECTING THE FIXTURE TO A POWER SUPPLY, MAKE SURE THE POWER IS SWITCHED OFF.



SSL
solid state luminaires

t 800.900.1730
3609 Swenson Ave.
St. Charles, IL 60174

NOTE: Includes models; SSC4R12-ACR, SSC6R14-ACR, SSC8R16-ACR

DETAILED ILLUSTRATIONS

INSTALLATION INSTRUCTIONS:

15) Locate the dangling wires within the Cylinder and connect them to the **DOWN** Gripper Cable.

Black connects to **Blue**.

Red connects to **Red**.

15a) Re-fasten the six **6-32** Pan Head Screws to the Cylinder Housing using a Type-2 Phillips Head Screwdriver. Torque to **10 IN-LBS**.

NOTE: Cables hidden for visual clarity.

16) Return the Top Plate to the Housing.

NOTE: Cables hidden for visual clarity.

NOTE: LED lighting is integral and NOT intended for general servicing.

IMPORTANT: All FC|SSL products can be cleaned with non-abrasive and chemical free agents. Use a soft cloth with mild detergent on exterior only.

