

SSF2106

Exterior Six Inch Round RGBW High-Powered Flood Light



(Shown w/Cut-Off Visor)



FEATURES

- Up to 930 lumens
- RGBW & Tunable White in one luminaire
- Wide range mounting options
- Many optical accessories
- ColourQuick, ColourClone, ColourSoft, and ColourMode (see page 4)
- 1.5G Vibration resistance

PERFORMANCE

Beam Spread: 10°, 15°, 25°, 30°, 60°, 80°, 90°, 100°, 15° x 30°, 30° x 60°
CCT Options: ColourMode (CM) RGBW and tunable white in one luminaire using 6 DMX channels
Lumens: 930 lumens (typical)
Lumen Maintenance: L70 > 70,000 hours

PHYSICAL

Mounting: Standard mounting is 1/2" - 14 NPS and includes adjustments for 150° vertical rotation and 360° horizontal rotation
Housing: Marine grade, corrosion resistant, low copper, solid die-cast aluminum; captive stainless steel fasteners
Finish: Available in Black, Bronze, Graphite Grey, Silver, White and Custom Colors. Six stage chemical iron phosphate conversion pre-treatment. Polyester powder coat finish, 18 µm minimum, 5,000 hour salt spray test (ASTM B117) compliant with Florida / AAMA 2604 specification.
Warranty: 5-Year limited warranty
Lens: Anti-reflective-clear, tempered glass w/silicone gasketing - IK07 Impact Rating
Ingress Protection: IP66 rated for dry, damp or wet locations
Weight: 7.3 lbs
Ambient Operating Temp: -22°F to 122°F (-30°C to 50°C)

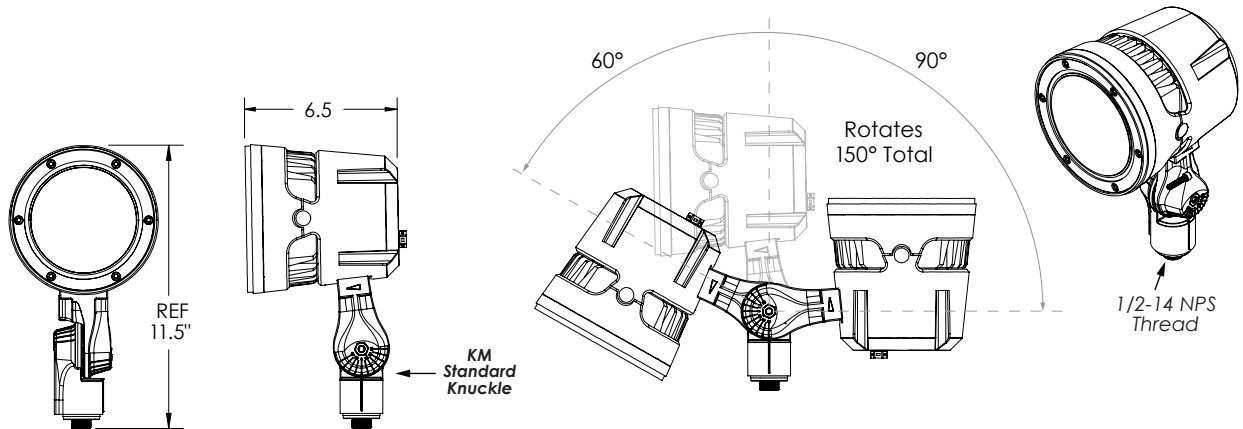
ELECTRICAL

Voltage: Universal 120 - 277 VAC
Power Supply: Integral Class II, electronic high-power factor >.90 @ 120V
Power Consumption: Maximum 34W
Dimming: ColourSoft embedded firmware enables 16-bit resolution using only 8-bits of data to enhance the low trim curve for no-flicker at the slowest transition speeds
Certification: ETL / cETL or CE, tested to UL 1598 and UL 8750 standards / UL-Class I / IES LM-79 / LM-80
Standards: cETLus Listed, CE, NOM, tested to UL 1598 and UL 8750 standards / UL-Class I / IES LM-79 / LM-80

RGBW TECHNOLOGY



PHYSICAL DIMENSIONS

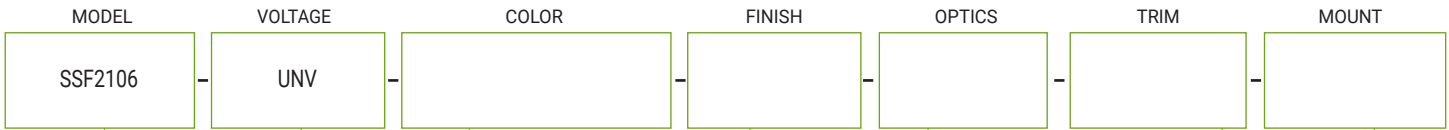


Date:	Approved:
Type:	
Fixture:	
Project:	

SSF2106

PRODUCT CODE

EXAMPLE: SSF2106-UNV-RGBW-BKE-10-CV6-KM



MODEL
SSF2106

VOLTAGE
UNV Universal 120 - 277 VAC

Color
RGBW RGBW
RGBW-TW RGBW & Tunable White
TW Tunable White

FINISH
BKE Black
BRE Bronze
GRE Graphite Grey
SLE Silver
WHE White
CCE Custom Color

OPTICS typical
10 Narrow Spot 10°
15 Spot 15°
25 Narrow Flood 25°
30 Mid Flood 30°
60 Flood 60°
80 Wide Flood 80°
90 Extra Wide Flood 90°
100 Extra Wide Flood 100°
***1530** 15° x 30° Ellipsoidal
***3060** 30° x 60° Ellipsoidal
 *Unavailable with SN6
 *See page 11 for optic orientation

TRIM
CV6 Cut-Off Visor
CV6-RG6 Cut-Off Visor with Rock Guard
LSN6 Long Shoot
LSN6-SF6 Long Shoot with Screen Frame
RG6 Rock Guard
SN6 Shoot Enclosed Glass Front Lens

MOUNT *Choose one mount option*
KM Medium Knuckle Mount (Standard)
AS Architectural Surface Mount
AS-BASE Architectural Surface Mount with Base
FEX6 Flood Extension Arm - 6"
FEX12 Flood Extension Arm - 12"
FEX18 Flood Extension Arm - 18"
HGS Heavy Duty Ground Stake
JB Junction Box (Outdoor Rated)
PF Post Top Fitter
SB Surface Base Mount
SF238 Slip Fitter
TM Tree Mount
Y6 Yoke Arm (Removes Knuckle)

Note: Must specify mount as part of catalog number. Mounts may not be convertible from one to another without rework at the factory.

Cable Accessories (order separately)

REQUIRED: Each run requires a Field Installed Data Terminator.

_____ **TCAPFIELD** Field Installed Data Terminator (w/ 120 ohm Resistor)

SSF2106

CONTROL COMPONENTS (Indicate the quantity needed for each item.)

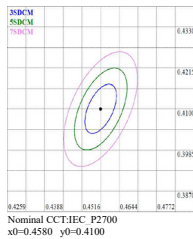
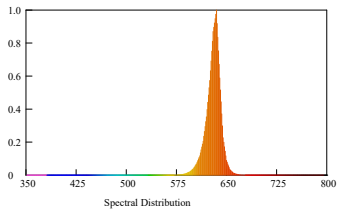
- | | |
|---|---|
| _____ PHAROS TPS-5-B 5" Designer Touch Panel Station | _____ DE3BK(WH) Nicolaudie STICK DE-3 Black or White Wall Mount Controller w/color dial |
| _____ PHAROS XPC1 Expert Controller; 512 channels of eDMX/DMX | _____ CW4-WH Nicolaudie STICK White Touch Screen with Internal WiFi |
| _____ PHAROS XPC2 Expert Controller; 1024 channels of eDMX/DMX | _____ GA2WH(BK) Nicolaudie STICK-GA2 White or Black Wall Mount Controller |
| _____ PHAROS XPT-5-B Expert Touch Panel; 5" Display in Black | _____ DXC-25 25 foot DMX cable |
| _____ PHAROS TPC-BB Touch Panel Controller - Black on Black (512 Channels EDMX) | _____ DXC-50 50 foot DMX cable |
| _____ PHAROS EXT Extension for TPC Connectivity | _____ DXC-100 100 foot DMX cable |
| _____ PHAROS LPC1 Lighting Playback Controller 1 (512 channels DMX/eDMX) | _____ CD-10 10 foot controller data cable (for CSC only) |
| _____ PHAROS LPC2 Lighting Playback Controller 2 (1,024 channels DMX/eDMX) | _____ CD-25 25 foot controller data cable (for CSC only) |
| _____ PDX2 Power Data Wiring Box (exterior rated) | _____ CD-50 50 foot controller data cable (for CSC only) |
| _____ PDX-RDS2 Power Data Wiring Box w/2-port splitter | _____ CD-100 100 foot controller data cable (for CSC only) |
| _____ PDX-RDS4 Power Data Wiring Box w/4-port splitter | _____ MV 5900 Multiverse Show Baby DMX Wireless Bridge (Indoor) |
| _____ CL-RS4 4 Port RDM splitter w/120V power supply | _____ 7400-5707M Show DMX Vero DMX Wireless Bridge (Exterior) |
| _____ SCSC-2WH (2BK) White or Black Wall Mount ColourSelect Controller (2 universe) | _____ NICOLAUDIE NINA |
| _____ CSC-E ColourSelect Controller (2 universe) | |

*Controller Data Cables/DMX Cables listed are exterior rated cables.
(Belden 3105A or equivalent) CD-XX cables have male XLR at one end.*

PHOTOMETRIC DATA

RGBW-RED ONLY

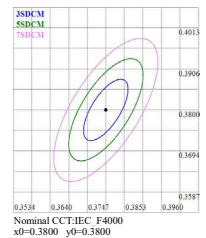
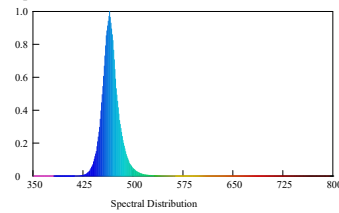
Spectroradiometric Parameters



Dominant Wavelength: 622.0 nm(E)
Luminous Flux: 48.67 lm
Chromaticity Difference: -0.08736Duv
Bandwidth: 20.4nm
Purity: 1.0035
Peak Wavelength: 635.0 nm
Radiant Flux: 0.261 W

RGBW-BLUE ONLY

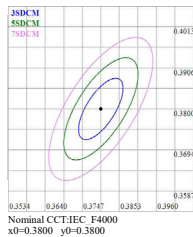
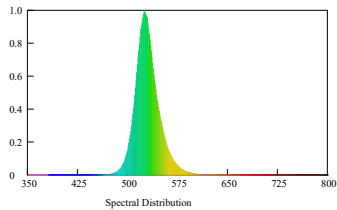
Spectroradiometric Parameters



Dominant Wavelength: 468.0 nm(E)
Luminous Flux: 21.32 lm
Chromaticity Difference: -0.1744Duv
Bandwidth: 25.1nm
Purity: 0.8711
Peak Wavelength: 465.0 nm
Radiant Flux: 0.35 W

RGBW-GREEN ONLY

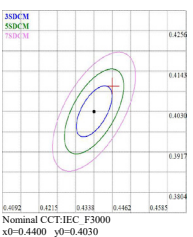
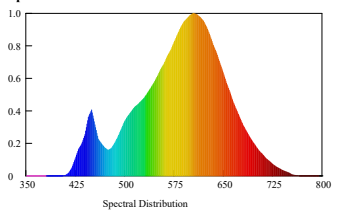
Spectroradiometric Parameters



Dominant Wavelength: 532.0 nm(E)
Luminous Flux: 95.24 lm
Chromaticity Difference: +0.1522Duv
Bandwidth: 30.1nm
Purity: 0.8711
Peak Wavelength: 525.0 nm
Radiant Flux: 0.174 W

RGBW-WHITE ONLY

Spectroradiometric Parameters



Correlated Color Temperature: 2898 K
Colour Fidelity Index: Rf=83
Luminous Flux: 102.14 lm
Chromaticity Difference: +0.00118Duv
Bandwidth: 130.2nm
Rendering Index: Ra=82.8
R1=81 R2=90 R3=97 R4=81 R5=81 R6=88 R7=84 R8=60
R9=11 R10=78 R11=80 R12=75 R13=83 R14=99 R15=74 Re=77

Dominant Wavelength: 581.0 nm(E)
Gamut Index: Rg=96
Purity: 0.5737
Peak Wavelength: 605.0 nm
Radiant Flux: 0.299 W



ColourQuick

RAPID-MIX COLOR

- Instantaneous Color Mixing – Within 1 inch
- Shortest Distance in Industry for Blending Colors
- 4-in-1 RGBW LED designed to SSL Specifications

ColourLine RGBW fixtures provide the quickest color mixing in the industry. The SSL ColourQuick technology enables our ColourLine Linear Indoor Cove and Graze, as well as, our Outdoor Floods to color-mix almost instantly, within one inch.



ColourClone

TRU-COLOR RGBW MATCHING

- Robotic Calibration of every luminaire provides 1-Step consistency
- Every luminaire has same X, Y color coordinates
- Perfect match for add-ons and replacements

As part of our manufacturing process, SSL Automated Manufacturing Robots calibrate every luminaire to the exact same X,Y color coordinates to provide Step-1 like consistency. This process enables every luminaire to be an exact clone. At the end of the process, a bar code is generated for every board. This allows for exact matching for job add-ons or warranty replacements.



ColourSoft

SMOOTH LOW-TRIM DIMMING

- Flicker-Free Color Transitions and Dimming
- 16-bit performance (65,536 steps) using *only 8-bit addressing*
- SSL Engineered Custom Software and Firmware

Standard dimming technology uses 8-bit resolution for 256 individual steps. Our 32-bit on-board MCU uses SSL developed software to provide 16-bit resolution that allows 65,536 steps of resolution and only use 8-bits of addressing space! We also use a logarithmic delineation of the resolution to concentrate in the lower third of the dimming curve so the low-end dimming and color transitions have zero flicker.



ColourMode

RGBW AND TUNABLE WHITE IN ONE

- SSL Designed Firmware uses 6 DMX Channels
- RGBW and Tunable White (2-Step, >90CRI) in One Luminaire
- 5 Distinct Luminaire Personalities for - Maximum Flexibility

SSL uses Digital Dual Mode (DDM) technology to provide RGBW and Tunable White in one luminaire! SSL firmware is designed to use 6 DMX channels in the DDM Personality Mode. Maximum Mood Enhancement is available to use for any type of environment. Channels 1-4 are reserved for RGBW. Channels 5-6 are used for White color tuning. Channel 5 controls intensity, channel 6 controls White color.

Scalable

- Full DMX, RDM control capability with latest industry standards
- A wide variety of DMX protocol controls and system accessories
- SSL has many RGBW products utilizing the ColourLine Technology
- Multiple personality settings to enhance RGBW & Tunable White
- Control 1000's of DMX channels with multiple universes & zones
- Powerful luminaires with super optics for long-throw applications
- SSL provides turnkey design and technical integration support

SSF2106

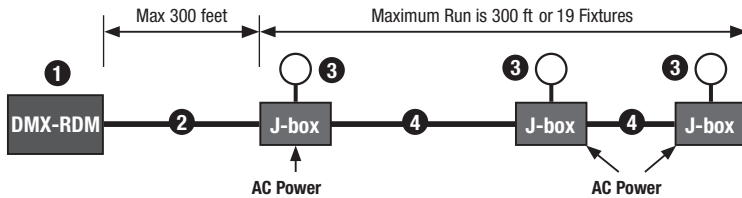
WIRING CONFIGURATIONS

SINGLE SEGMENT CONFIGURATION EXAMPLES

STANDARD CONFIGURATION

- 1) DMX-RDM Controller
- 2) DMX Data Cable **DXC-xx** or **CD-xx** (CSC only)
- 3) RGBW Flood (with standard 5-Pin cord whip)
- 4) Controller Data Cables/DMX Cables are exterior rated (by others). (Belden 3105A or equivalent) CD-XX cables have male XLR at one end.

AC Power - Supplied by others in various methods; to each luminaire separately, in separate conduits, or in the same conduit (Cables with same voltage rating).



GENERAL:

1. All electrical connections must be in accordance with codes, ordinances, or the National Electrical Code.
2. Before starting the installation, make sure all the electricity has been turned off and the electrical breaker has been locked out and tagged out.
3. To ensure the success of the installation, be sure to read these instructions and review the diagrams thoroughly before beginning.
4. Do not exceed the luminaire specified voltage.
5. The luminaire cord should be fed through the top knockout hole of the jbox.

NOTE: The important safeguards and instructions appearing in this manual are not meant to cover all possible conditions and situations that may occur.

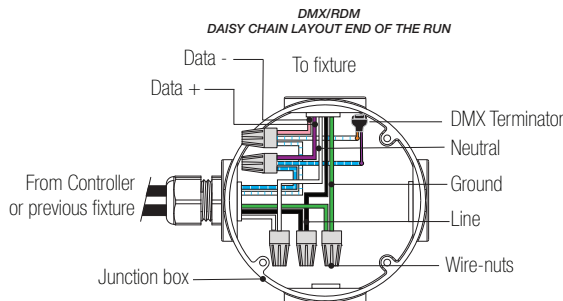
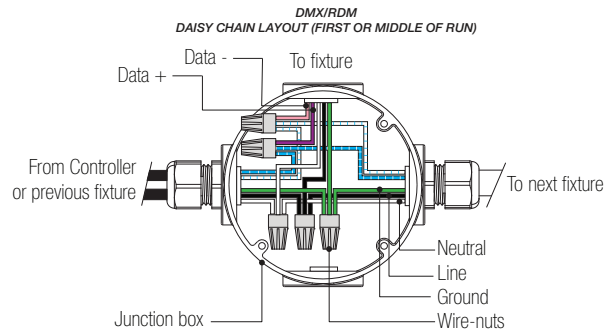
INSTALLATION:

- 1) Verify Physical Layout Plan
 - a) Ensure all hardware is present.
 - b) Ensure all electrical feeds are correctly positioned with all hardware and any other active components.
 - c) Confirm DMX Addressing Plan
 - i. SSL recommends pre-addressing luminaires before mounting installation.
 - ii. Ensure that addressing is documented for future upgrading, configuring or troubleshooting.
 - iii. Create an addressing table to document all luminaire IDs and their physical location.

Notice

- Maximum of 32 DMX/RMS enabled luminaires per run
- UL wiring details shown
- DMX terminator is required at the end of each run to maintain data integrity

WIRING DIAGRAM AT JUNCTION BOX - FOR UL OR CE OPTIONS



Wiring Color Code

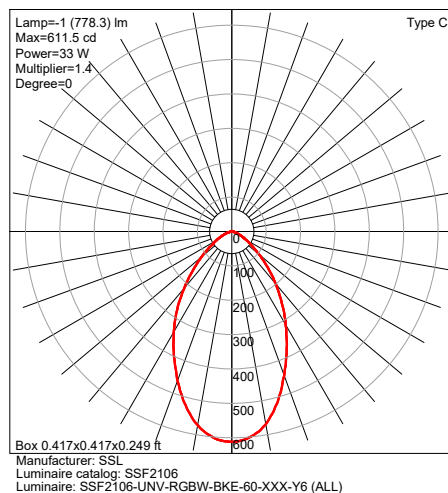
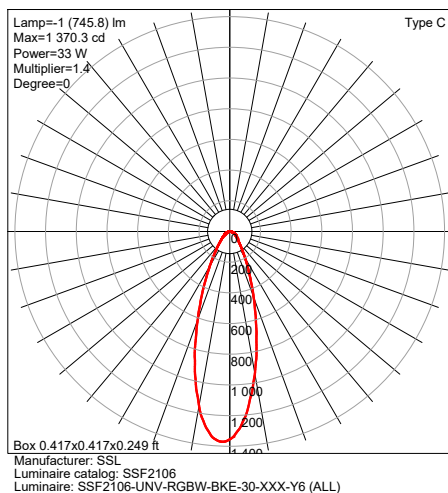
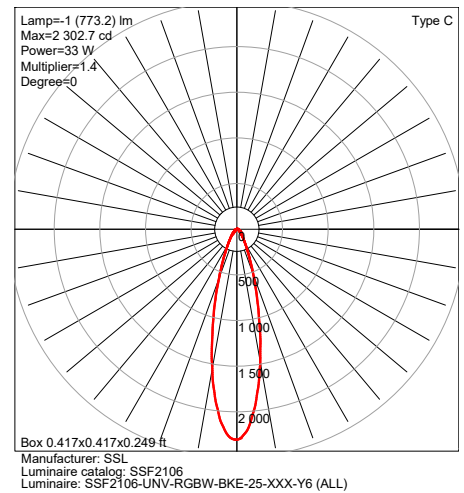
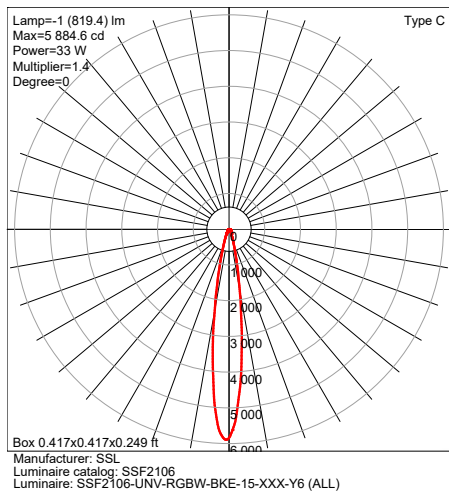
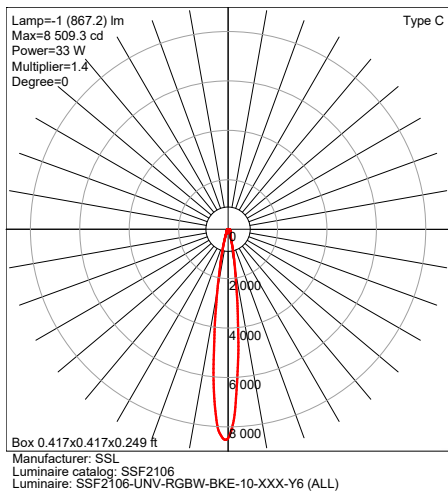
UL Color Code	CE Color Code	USE
Green	Yellow/Green	Ground
Black	Brown	Line (120 - 277 VAC)
White	Blue	Line/Neutral
Purple/Blue	Purple	Data +
Pink/White	Orange	Data -

SSF2106

LUMENS / WATTAGE typical

Model	Watts	Lumens
SSF2106	34W	930 lm

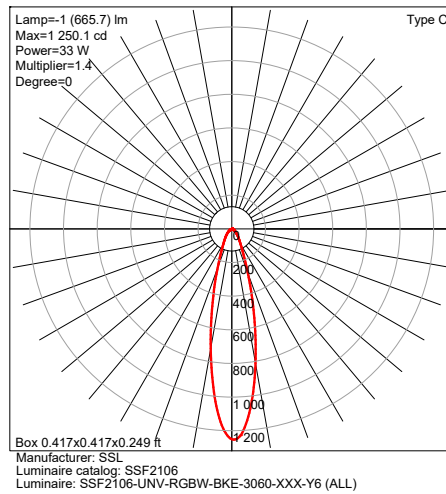
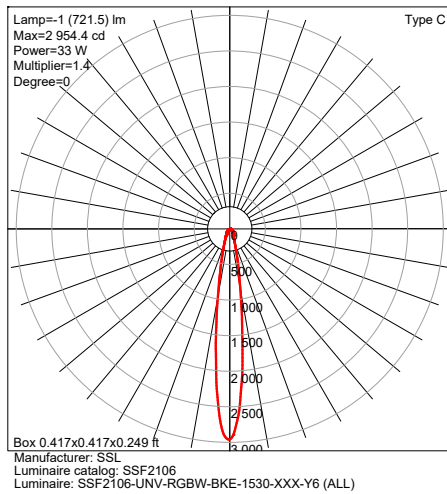
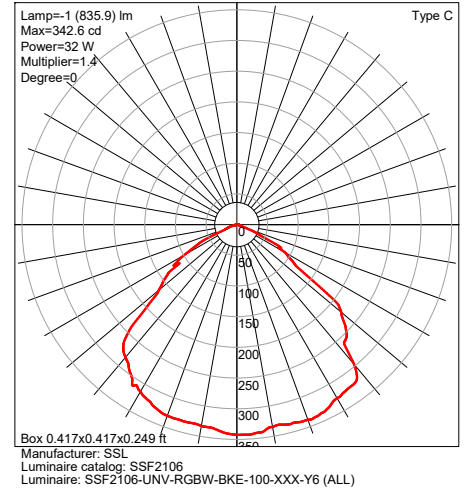
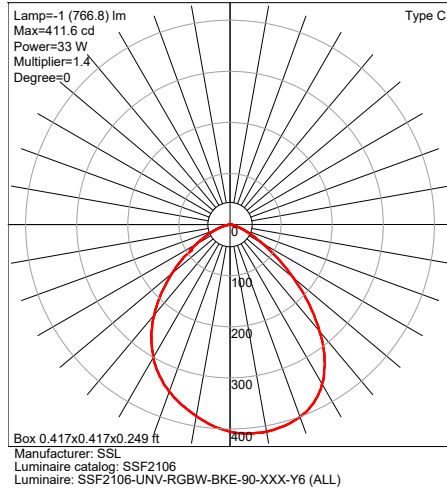
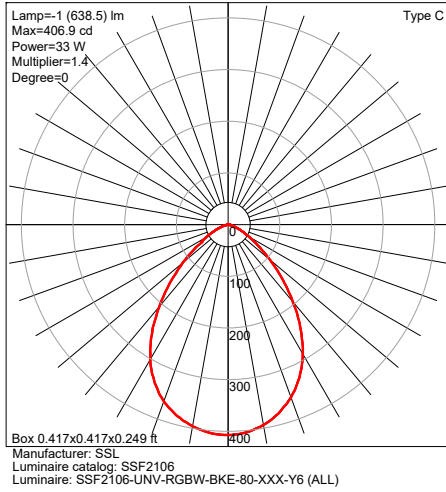
PHOTOMETRIC GRAPHS



Due to continuous development and improvements, specifications are subject to change without notice.
Product use certifies agreement to Solid State Luminaires terms and conditions.

SSF2106

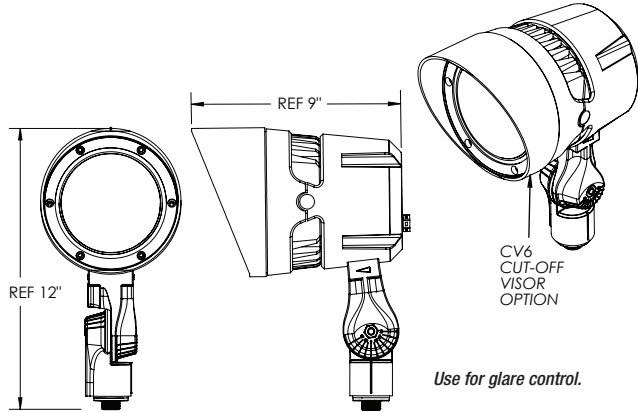
PHOTOMETRIC GRAPHS



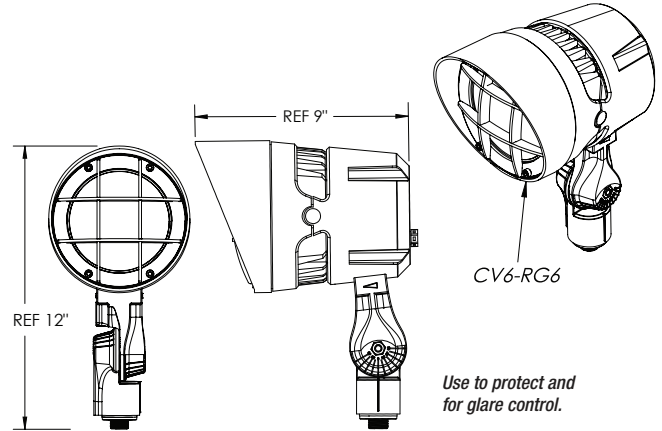
SSF2106

TRIM

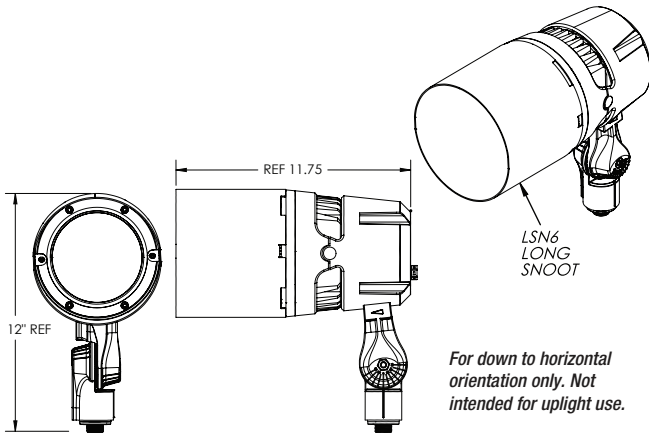
CV6 Cut-Off Visor



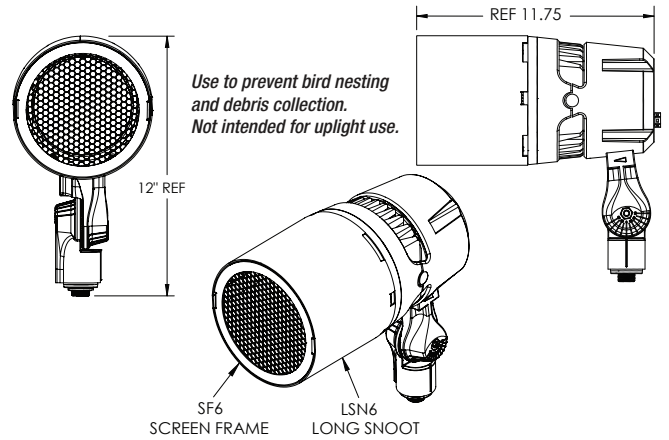
CV6-RG6 Cut-Off Visor with Rock Guard



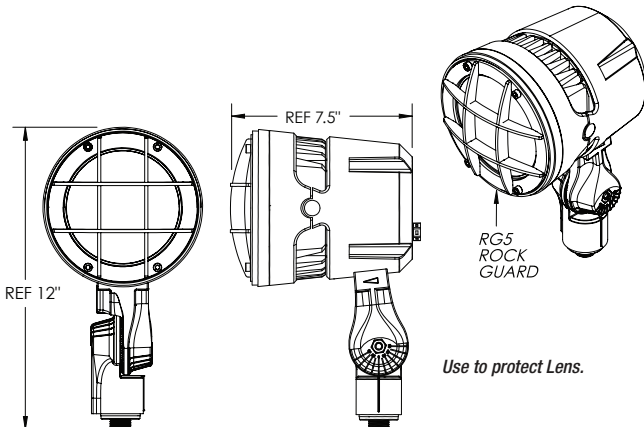
LSN6 Long Snoot



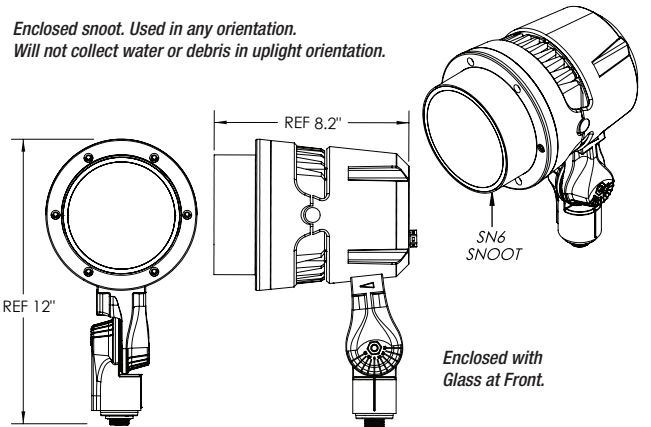
LSN6-SF6 Long Snoot with Screen Frame



RG6 Rock Guard



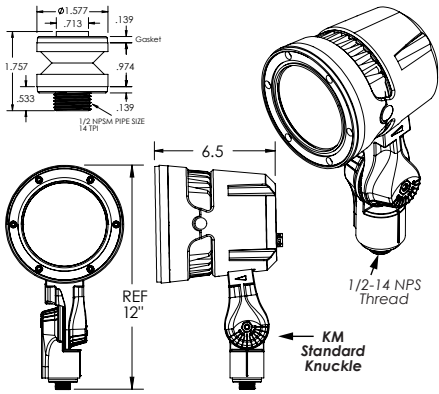
SN6 Snoot Enclosed Glass Front Lens



SSF2106

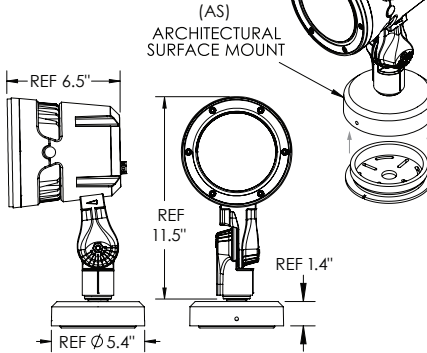
MOUNTING ACCESSORIES Please choose one mounting option.

KM Medium Knuckle Mount (Standard)

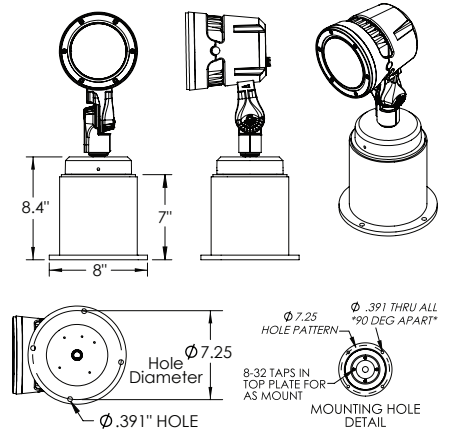


AS Architectural Surface Mount

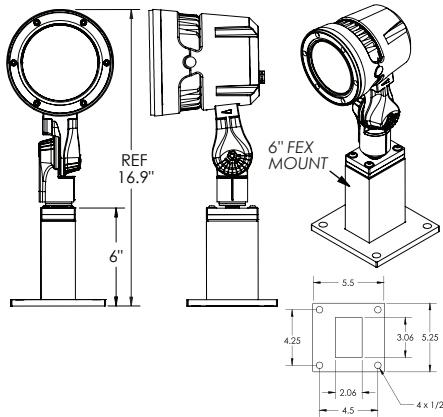
For wall, ceiling and uplight applications



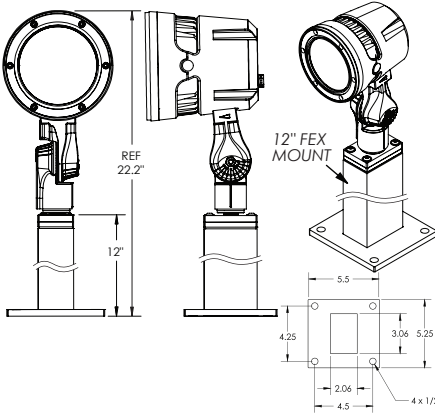
AS-BASE Architectural Surface Mount with Base



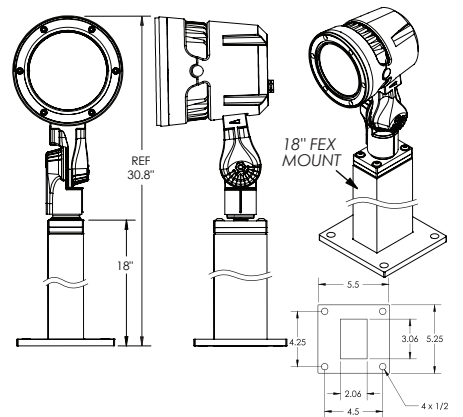
FEX6 Flood Extension Arm - 6"



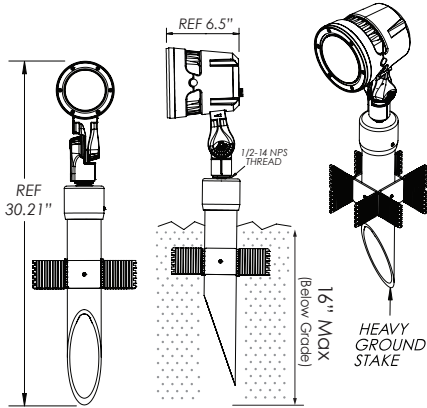
FEX12 Flood Extension Arm - 12"



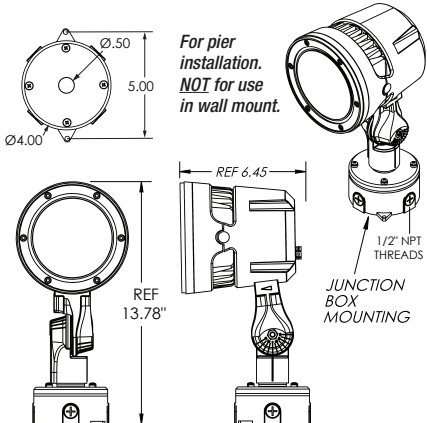
FEX18 Flood Extension Arm - 18"



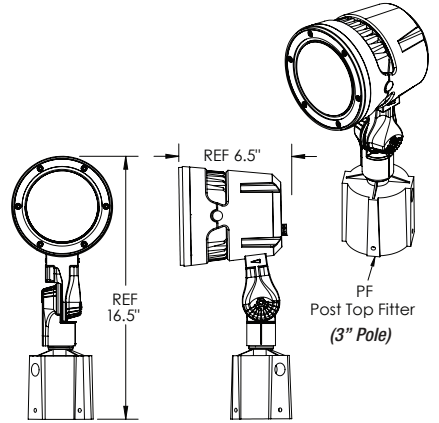
HGS Heavy Duty Ground Stake



JB Junction Box (Outdoor Rated)



PF Post Top Fitter

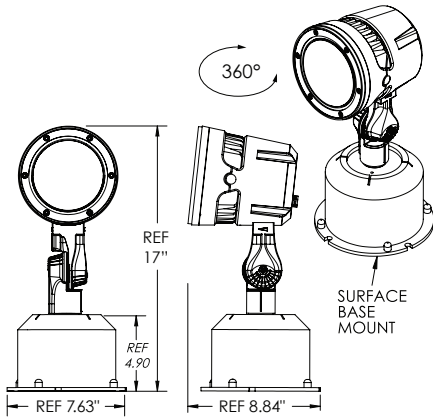


Due to continuous development and improvements, specifications are subject to change without notice. Product use certifies agreement to Solid State Luminaires terms and conditions.

SSF2106

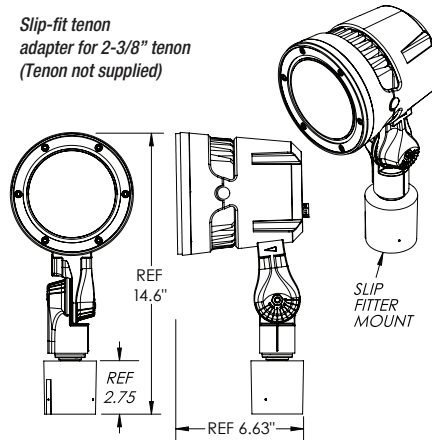
MOUNTING ACCESSORIES

SB Surface Base Mount



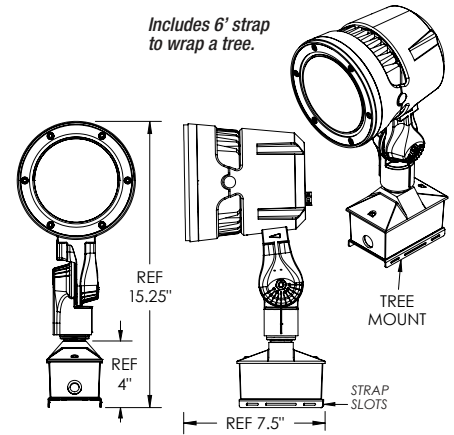
SF238 Slip Fitter

Slip-fit tenon adapter for 2-3/8" tenon (Tenon not supplied)

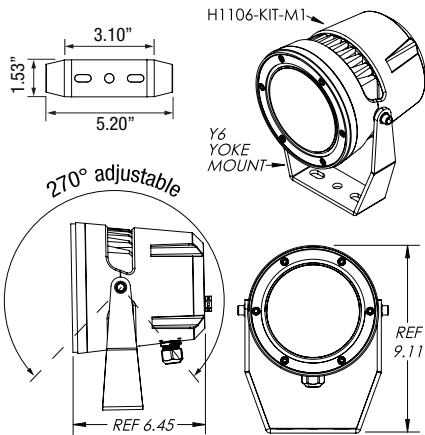


TM Tree Mount

Includes 6' strap to wrap a tree.



Y6 Yoke Arm (Removes Knuckle)



SSF2106

OPTIC ORIENTATION

