



## SSLHB Series



<b>Date:</b>	<b>Approved:</b>
<b>Type:</b>	
<b>Fixture:</b>	
<b>Project:</b>	

**SSLHB Series** are high powered decorative pendant lights designed for lighting large overhead spaces where ample light is required. Gymnasiums, exhibition halls, airport terminals, railway stations, institutions, supermarkets and more.

### SPECIFICATIONS

**EOL**

#### PHYSICAL

<b>beam spread</b>	90°
<b>diameter/height</b>	diameter: 9" / height: 9.56"   diameter: 12" / height: 11.1"
<b>weight</b>	SSLHB9 : 6 lb   SSLHB12 : 10 lb
<b>housing</b>	polycarbonate steel
<b>lens</b>	acrylic (PMMA)
<b>mounting</b>	1" eyelet ring for chain or cable hanging (by others) (72" cord standard)
<b>ingress protection</b>	dry locations only
<b>finish</b>	standard: black   white

#### PERFORMANCE

<b>color temperature</b>	3000K   3500K   4000K
<b>delivered lumens</b>	SSLHB9 : 11,200 lm Max   SSLHB12 : 23,000 lm Max
<b>lifetime</b>	> 50,000 hours / L70 or better
<b>color consistency</b>	4 SDCM   83, 93 or 97 CRI
<b>operating temperature</b>	-4°F to 122°F (-20°C to 50°C)
<b>warranty</b>	5-Year limited warranty (refer to website for details)

#### ELECTRICAL

<b>input voltage</b>	Universal 120–277V AC standard
<b>power supply</b>	integral Class II, electronic high-power factor > 94%   EldoLED & Lutron optional
<b>certification</b>	DLC
<b>standards</b>	ETL / cETL or CE, tested to UL 1598 and UL 8750 standards / UL-Class I / IES LM-79 / LM-80 / FCC Part 15
<b>power consumption</b>	up to 200W Max @ 23,000 lm
<b>dimming</b>	0-10V Dimming

Due to continuous development and improvements, specifications are subject to change without notice. Solid State Luminaires reserves the right to change lab test details or specifications without notice. Product use certifies agreement to Solid State Luminaires terms and conditions. Solid State Luminaires Cylinder Lights are engineered and produced in our Illinois manufacturing facility.

# SSHB Series



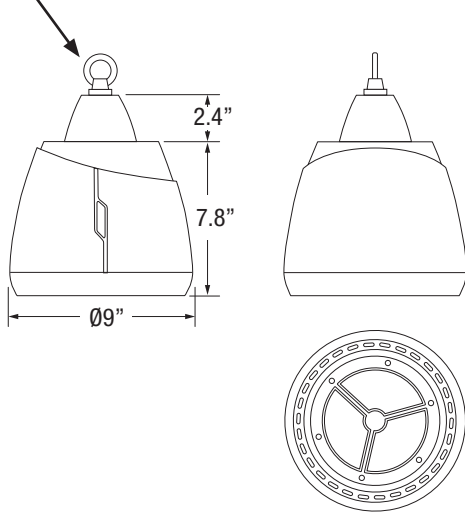
## ORDERING INFORMATION

SSLHB09	UNV		112L		90		
MODEL	VOLTAGE	CCT	LUMENS	FINISH	OPTICS	MOUNTING	OPTIONS
SSLHB Ø9"	UNV 120V - 277V	3K 3000K 35K 3500K 4K 4000K	112L 11200 lm	BK Black WH White	90 90°	HKC Hook for chain or cable hanging (by others) 72" cord standard	LD 0-10V Dimming

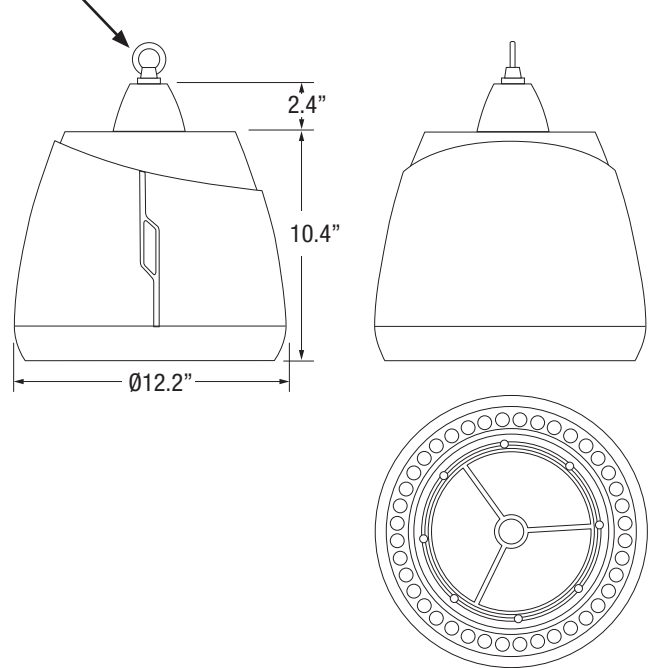
SSLHB12	UNV				90		
MODEL	VOLTAGE	CCT	LUMENS	FINISH	OPTICS	MOUNTING	OPTIONS
SSLHB Ø12"	UNV 120V - 277V	3K 3000K 35K 3500K 4K 4000K	173L 17250 lm (12" Only) 230L 23000 lm (12" Only)	BK Black WH White	90 90°	HKC Hook for chain or cable hanging (by others) 72" cord standard	LD 0-10V Dimming

## PHYSICAL

HKC (Hook for chain or cable)



HKC (Hook for chain or cable)



Due to continuous development and improvements, specifications are subject to change without notice. Solid State Luminaires reserves the right to change lab test details or specifications without notice. Product use certifies agreement to Solid State Luminaires terms and conditions. Solid State Luminaires Cylinder Lights are engineered and produced in our Illinois manufacturing facility.