

Type:

Luminaire:

Project:

Approved:

ColourLine SSL-DV Direct View Linear



ColourLine SSL-DV Direct View Linear is a dynamic linear direct view LED luminaire, perfect for creating long ribbons of dynamic lighting. Variable resolution offers the ability to display large-scale graphics and intricately designed effects for an array of architectural, retail, and entertainment settings.

ColourLine SSL-DV Direct View Linear is available in RGBW or Tunable White (2200K – 6500K) output, 1- and 4-foot lengths, and 12-inch resolution. All versions are IK10 impact resistant, UV stabilized polycarbonate lens, and IP66 dry, damp, and wet location rated.

With a 120 - 277 VAC integral power supply and DMX / RDM protocols for control, luminaire power and data connectors are “push-lock” for simple installation.

SPECIFICATIONS

light output RGBW or Tunable White (2200K – 6500K)

PHYSICAL

weight	0.94 lbs (1-foot), 3.3 lbs (4-foot)
dimensions [L x W x H]	12.5" L x 2.2" W x 3.5" H (1-foot), 46.9" L x 2.2" W x 3.5" H (4-foot)
housing	marine grade, extruded aluminum housing
lens	diffused, UV protected and stabilized polycarbonate extrusion
impact rating	IK10
mounting	integrated surface mount, universal orientation mounting; up, down, horizontal, vertical, diagonal
vibration resistance	complies with ANSI C136.31, 3G
environment	wet, exterior location (IP66), connectors (IP68)

PERFORMANCE

lumens per foot	RGBW—200 lumens per foot Tunable White—300 lumens per foot
luminaire resolution	controllable in 12-inch segments 1-foot Luminaire: 12-inch resolution, 4-channels 4-foot Luminaire: 12-inch resolution, 16-channels
lifetime	50,000 hours
operating temperature	-40° to 122 °F (-40° to 50 °C)

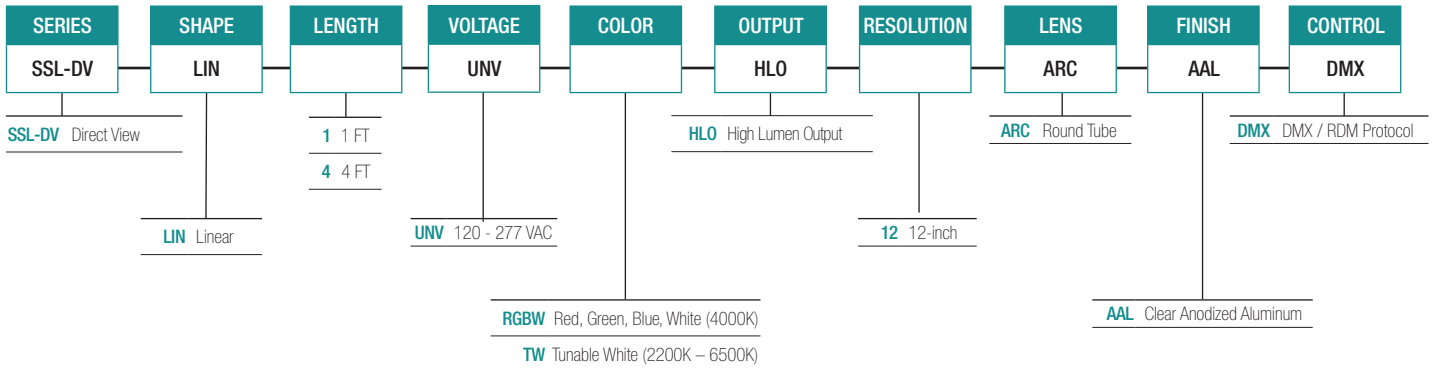
ELECTRICAL

input voltage	Universal 120 - 277 VAC
power supply	integral Class II, electronic high-power factor
max run length	HLO—184 feet @ 120 VAC, 424 feet @ 277 VAC
certification	cETLus, FCC
interface	DMX / RDM
power consumption	up to 7 W / per foot
warranty	5-Year limited warranty

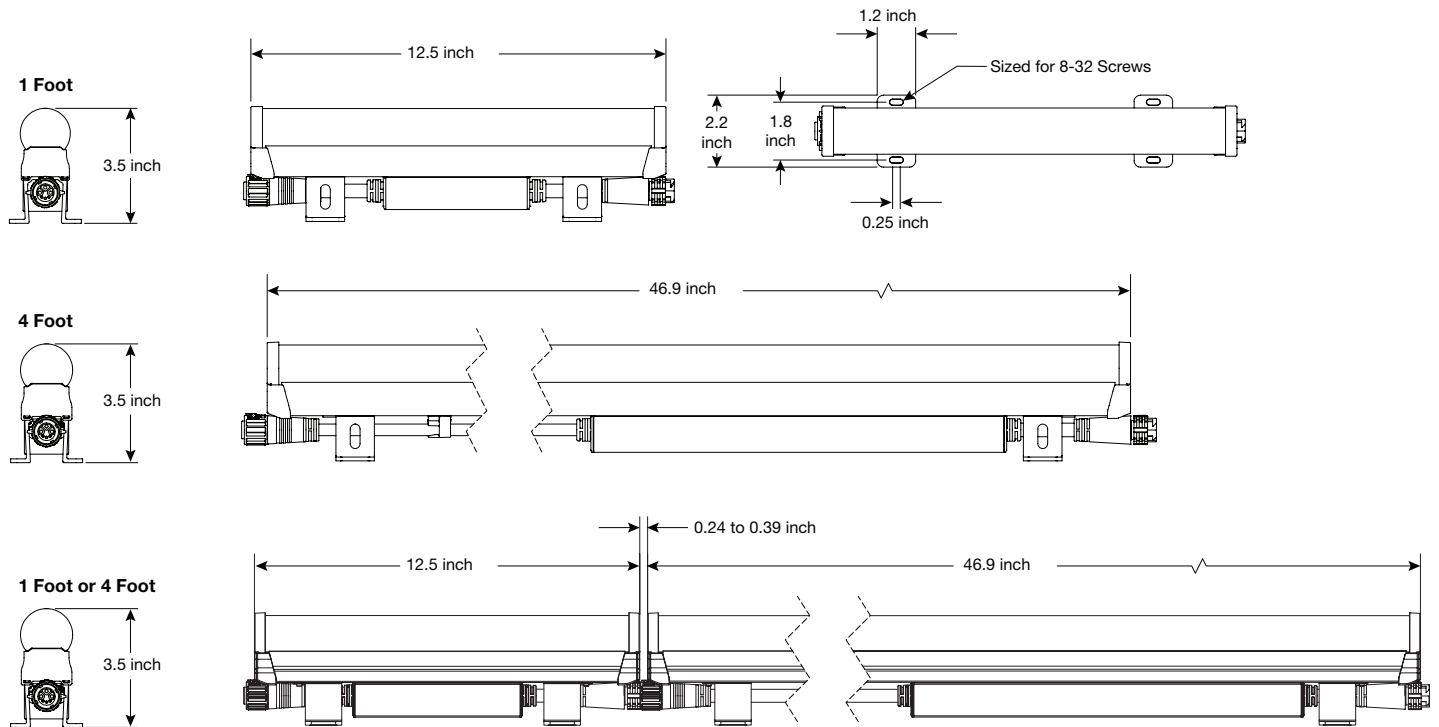
TECHNOLOGIES

ColourFull	provides maximum output at all times, with all colors, providing maximum color saturation
ColourQuick	provides immediate uniform beam saturation and color mix from the luminaire surface
ColourClone	manufacturing process uses robotic systems to provide 1 SDCM consistency between luminaires by calibrating every luminaire to the same exact X, Y, chromaticity coordinates
ColourSoft	embedded firmware enables 16-bit resolution using only 8-bits of data to enhance the low trim curve for no-flicker at the slowest transition speeds

PRODUCT ORDERING CODE



DIMENSIONS Available in 2 lengths



CABLE ACCESSORIES (order separately)

Accessories (Indicate the quantity needed for each item.) **REQUIRED:** Starter Cable (SCxxCLZ) and Data Terminator Cap (TCAPDCLZWET) for every run.

- _____ **SC10CLZ** 10 foot Starter Cable
- _____ **SC25CLZ** 25 foot Starter Cable
- _____ **SC50CLZ** 50 foot Starter Cable
- _____ **TCAPDCLZWET** Data Terminator Cap (120 Ohm)
- _____ **EC24LZWET** 24 inch Extension Cable
- _____ **EC60LZWET** 60 inch Extension Cable
- _____ **EC120LZWET** 120 inch Extension Cable
- _____ **EC240LZWET** 240 inch Extension Cable

PART NUMBERS

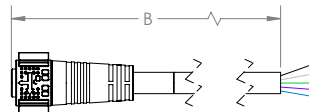
Control Components (Indicate the quantity needed for each item.)

- | | |
|--|--|
| _____ PHAROS TPS-5-B 5" Designer Touch Panel Station | _____ DE3BK(WH) Nicolaudie STICK DE-3 Black or White Wall Mount Controller w/color dial |
| _____ PHAROS XPC1 Expert Controller; 512 channels of eDMX/DMX | _____ CW4-WH Nicolaudie STICK White Touch Screen with Internal WiFi |
| _____ PHAROS XPC2 Expert Controller; 1024 channels of eDMX/DMX | _____ GA2WH(BK) Nicolaudie STICK-GA2 White or Black Wall Mount Controller |
| _____ PHAROS XPT-5-B Expert Touch Panel; 5" Display in Black | _____ DXC-25 25 foot DMX cable |
| _____ PHAROS TPC-BB Touch Panel Controller - Black on Black (512 Channels EDMX) | _____ DXC-50 50 foot DMX cable |
| _____ PHAROS EXT Extension for TPC Connectivity | _____ DXC-100 100 foot DMX cable |
| _____ PHAROS LPC1 Lighting Playback Controller 1 (512 channels DMX/eDMX) | _____ CD-10 10 foot controller data cable (for CSC only) |
| _____ PHAROS LPC2 Lighting Playback Controller 2 (1,024 channels DMX/eDMX) | _____ CD-25 25 foot controller data cable (for CSC only) |
| _____ PDX2 Power Data Wiring Box (exterior rated) | _____ CD-50 50 foot controller data cable (for CSC only) |
| _____ PDX-RDS2 Power Data Wiring Box w/2-port splitter | _____ CD-100 100 foot controller data cable (for CSC only) |
| _____ PDX-RDS4 Power Data Wiring Box w/4-port splitter | _____ MV 5900 Multiverse Show Baby DMX Wireless Bridge (Indoor) |
| _____ SCSC-2WH (2BK) White or Black Wall Mount ColourSelect Controller (2 universe) | _____ 7400-5707M Show DMX Vero DMX Wireless Bridge (Exterior) |
| _____ CSC-E ColourSelect Controller (2 universe) | |

Controller Data Cables/DMX Cables listed are exterior rated cables.
(Belden 3105A or equivalent) CD-XX cables have male XLR at one end.

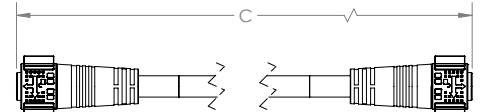
CONNECTIONS & CABLES

Model	Description
SC05LZWET	5 foot Starter Connection Cord
SC10LZWET	10 foot Starter Connection Cord
TCAPLZWET	Standard Terminator Cap
EC24LZWET	24 inch Extension Cord
EC60LZWET	60 inch Extension Cord



STARTER CABLE

MODEL	B
SC05LZWET	5'
SC10LZWET	10'



EXTENSION CABLE

MODEL	B
EC24LZWET	24"
EC60LZWET	60"



ColourFull

FULL LUMEN COLOR CHANGING

- Full Power LED with any color transition
- Consistent rich color across the light spectrum
- Full output power with any color

ColourFull luminaires provide maximum output at all times – with all colors, so your application receives the maximum color saturation. Using a Custom Tooled Native Optic with a collimating color mixing chamber that mixes at the phosphor level enabling unique color combinations.



ColourQuick

RAPID-MIX COLOR

- Instantaneous Color Mixing – Within 1 inch
- Shortest Distance in Industry for Blending Colors
- 4-in-1 RGBW LED designed to SSL Specifications

ColourLine RGBW luminaires provide the quickest color mixing in the industry. The SSL ColourQuick technology enables our ColourLine Linear Indoor Cove and Graze, as well as, our Outdoor Floods to color-mix almost instantly, within one inch.



ColourClone

TRU-COLOR RGBW MATCHING

- Robotic Calibration of every luminaire provides 1-Step consistency
- Every luminaire has same X, Y color coordinates
- Perfect match for add-ons and replacements

As part of our manufacturing process, SSL Automated Manufacturing Robots calibrate every luminaire to the exact same X,Y color coordinates to provide Step-1 like consistency. This process enables every luminaire to be an exact clone. At the end of the process, a bar code is generated for every board. This allows for exact matching for job add-ons or warranty replacements.



ColourSoft

SMOOTH LOW-TRIM DIMMING

- Flicker-Free Color Transitions and Dimming
- 16-bit performance (65,536 steps) using only 8-bit addressing
- SSL Engineered Custom Software and Firmware

Standard dimming technology uses 8-bit resolution for 256 individual steps. Our 32-bit on-board MCU uses SSL developed software to provide 16-bit resolution that allows 65,536 steps of resolution and only use 8-bits of addressing space! We also use a logarithmic delineation of the resolution to concentrate in the lower third of the dimming curve so the low-end dimming and color transitions have zero flicker.

Scalable

- Full DMX, RDM control capability with latest industry standards
- A wide variety of DMX protocol controls and system accessories
- SSL has many RGBW products utilizing the ColourLine Technology
- Multiple personality settings to enhance RGBW & Tunable White
- Control 1000's of DMX channels with multiple universes & zones
- Powerful luminaires with super optics for long-throw applications
- SSL provides turnkey design and technical integration support

LUMENS / WATTAGE typical

Model	Lumens	Watts	LPW	Color	Beam Angle	Max CD
SSL-DV-LIN-1-UNV-RGBW-HLO-12-ARC-AAL-DMX (ALL)	201.3 lm	4.25W	47.4	ALL	126	35
SSL-DV-LIN-1-UNV-RGBW-HLO-12-ARC-AAL-DMX (RED)	72.2 lm	4.1W	17.6	RED	123.1	13.3
SSL-DV-LIN-1-UNV-RGBW-HLO-12-ARC-AAL-DMX (GREEN)	330.5 lm	4.1W	80.2	GREEN	126.8	56.5
SSL-DV-LIN-1-UNV-RGBW-HLO-12-ARC-AAL-DMX (BLUE)	30.8 lm	4.1W	7.4	BLUE	119.5	5.9
SSL-DV-LIN-1-UNV-RGBW-HLO-12-ARC-AAL-DMX (WHITE)	326.5 lm	4.2W	78.2	WHITE	125.3	56.9
SSL-DV-LIN-4-UNV-RGBW-HLO-12-ARC-AAL-DMX (ALL)	875.7 lm	16.1W	54.4	ALL	118.6	149.3
SSL-DV-LIN-4-UNV-RGBW-HLO-12-ARC-AAL-DMX (RED)	286.2 lm	15.2W	18.8	RED	120	50.1
SSL-DV-LIN-4-UNV-RGBW-HLO-12-ARC-AAL-DMX (GREEN)	1410.6 lm	15.2W	92.7	GREEN	121.8	237.9
SSL-DV-LIN-4-UNV-RGBW-HLO-12-ARC-AAL-DMX (BLUE)	159.6 lm	15.3W	10.5	BLUE	116.6	27.7
SSL-DV-LIN-4-UNV-RGBW-HLO-12-ARC-AAL-DMX (WHITE)	1379.3 lm	15.3W	90.2	WHITE	121.3	234
SSL-DV-LIN-1-UNV-DW-HLO-12-ARC-AAL-DMX (ALL ON (3500K))	302.6 lm	4.3W	69.8	ALL	127.1	52.4
SSL-DV-LIN-1-UNV-DW-HLO-12-ARC-AAL-DMX (2200K)	209.5 lm	4.5W	46.8	2200K	125.2	37.2
SSL-DV-LIN-1-UNV-DW-HLO-12-ARC-AAL-DMX (2700K)	286.8 lm	4W	70.8	2700K	126.8	49.6
SSL-DV-LIN-1-UNV-DW-HLO-12-ARC-AAL-DMX (4000K)	352.9 lm	4.5W	77.9	4000K	127.4	62.1
SSL-DV-LIN-1-UNV-DW-HLO-12-ARC-AAL-DMX (6500K)	312.8 lm	4.2W	74.1	6500K	126.3	56.1
SSL-DV-LIN-4-UNV-DW-HLO-12-ARC-AAL-DMX (ALL ON (3500K))	1263.3 lm	15.9W	79.2	ALL	116.9	215.7
SSL-DV-LIN-4-UNV-DW-HLO-12-ARC-AAL-DMX (2200K)	829.2 lm	15.8W	52.4	2200K	119.3	143.1
SSL-DV-LIN-4-UNV-DW-HLO-12-ARC-AAL-DMX (2700K)	1357.9 lm	16.2W	83.7	2700K	117.8	232.2
SSL-DV-LIN-4-UNV-DW-HLO-12-ARC-AAL-DMX (4000K)	1470.1 lm	16.2W	90.9	4000K	121.2	249.3
SSL-DV-LIN-4-UNV-DW-HLO-12-ARC-AAL-DMX (6500K)	1408.2 lm	15.7W	89.4	6500K	117.5	239.3