

SSL-UNLXL - INSTALLATION INSTRUCTIONS part 1 POWER CONNECTIONS

CAUTION: BEFORE CONNECTING THE FIXTURE TO A POWER SUPPLY, MAKE SURE THE POWER IS SWITCHED OFF.

DETAILED ILLUSTRATION



24V DC Power

GENERAL:

1. Before starting the installation, make sure all electricity has been turned off and electrical breaker has been locked out and tagged out.
2. To ensure the success of the installation, be sure to read these instructions and review the diagrams thoroughly before beginning.
3. All electrical connections must be in accordance with local codes, ordinances, or the National Electrical Code.

SAFETY INFORMATION:

The UNDERLINE series is for indoor use only. The LED module is not protected against short circuits, overload or overheating; therefore you must use an electronically stabilized power supply that offers protection against the previously mentioned safety risks. SSL power supplies are specifically designed with protection features for safe operation.

WARNING: If a non Solid State Luminaires power supply is used to power the fixtures, the manufacturer warranty will be voided.

INSTALLATION

1. Determine all measurements for installation (Fig.1)
 2. Add fixture lengths to less than the measured space to allow for cords and connectors. (Fig 2)
- IMPORTANT:** Include cord length and fixture components when adding total length. See specification sheets for component dimensions.
3. Determine power layout. See (Fig 3)
- WARNING:** Each max run length must not exceed 36W of power consumption.
- NOTE:** A run is all devices directly connected to power supply.

WARNING: Do not open, alter or tamper with the fixture housing. This will void the manufacturer's warranty. To avoid electrical shock, never open the UNL fixture housing. Do not attempt to service the electronic components yourself. Non-expert handling may damage the product and cause injury to the user.

FIG-1

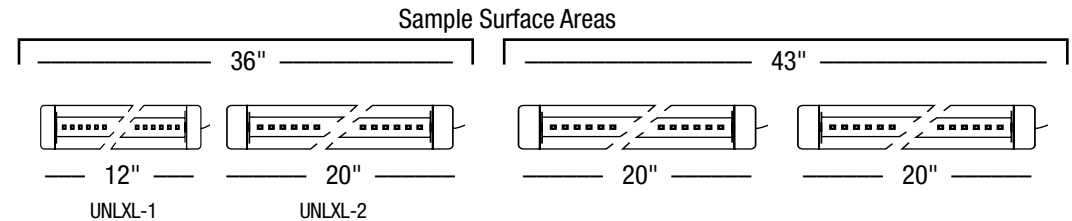


FIG-2

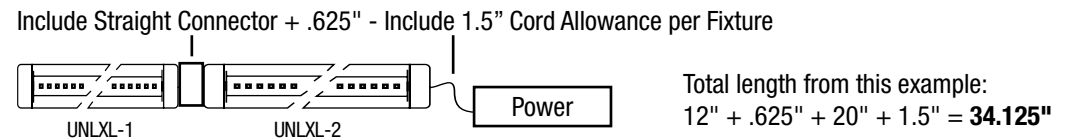
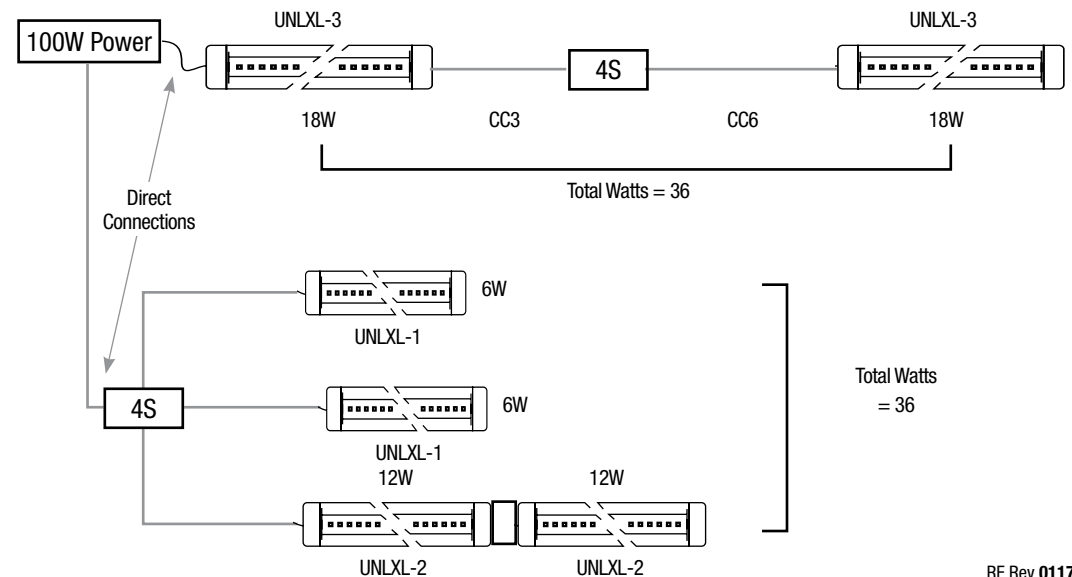


FIG-3



SSL-UNLXL Series - INSTALLATION INSTRUCTIONS part 2 MOUNTING INSTRUCTIONS

CAUTION: BEFORE CONNECTING THE FIXTURE TO A POWER SUPPLY, MAKE SURE THE POWER IS SWITCHED OFF.

DETAILED ILLUSTRATION

GENERAL:

1. Before starting the installation, make sure all electricity has been turned off and electrical breaker has been locked out and tagged out.
2. To ensure the success of the installation, be sure to read these instructions and review the diagrams thoroughly before beginning.
3. All electrical connections must be in accordance with local codes, ordinances, or the National Electrical Code.

SAFETY INFORMATION:

The UNDERLINE series is for indoor use only. The LED module is not protected against short circuits, overload or overheating; therefore you must use an electronically stabilized power supply that offers protection against the previously mentioned safety risks. SSL power supplies are specifically designed with protection features for safe operation.

WARNING: If a non Solid State Luminaires power supply is used to power the fixtures, the manufacturer warranty will be voided.

MOUNTING INSTRUCTIONS

1. Screws are provided in each fixture package. You may use different screws if longer ones are required (*sold by others*).
2. Locate blue tape on fixture to open the adjustable mounting bracket and adjust to desired angle. Adjusts 0°, 45° or 90° (Fig.1)
NOTE: Remove blue tape for mounting.
3. Connect all fixtures and accessories following part 1 (Power) of installation instructions.
WARNING: Each max run length must not exceed 36W of power consumption. Read page 1 before proceeding with power connections.
NOTE: A run is all devices directly connected to power supply.
4. Plug in power cable to the fixture.

MOTION SENSOR (optional)

1. Use the sensor to plug into the DC jack socket (Fig. 2).
2. Secure the Sensor to mounting surface at the desired angle using mounting instructions above. Adjusts 0°, 45° or 90°.
3. Delay time: Standard is 30 seconds and can be adjusted to 3 minutes. (Fig. 3)
4. Connect power supply to the input side of the Sensor.



24V DC Power

SSL
solid state luminaires

corporate
t (877) SSL-GREEN
f (630) 889-8106
3609 Swenson Ave.
St. Charles, IL 60174

FIG-1

Use tape to open then remove tape to mount.

Use screws to attach fixture to mounting surface and set desired angle.

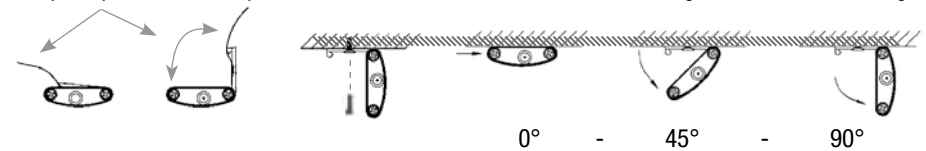
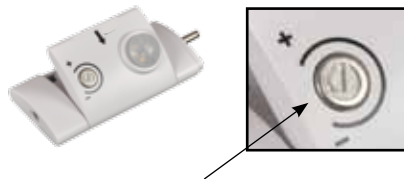


FIG-2

Motion Sensor PIR2 connect in line to DC jack on fixture.



FIG-3



Adjust delay time using flat screwdriver (not included).

NOTE: Functional information:
Basic Data: Detection Distance: 3m /
Detection Range: 120° from set position.

1. Automatic detection when people enter the detection area: Infrared ray detector will output 12V or 24V and turn on.
2. Delay function: when people leave the detection area or no movement is detected, the light will turn off after 30 seconds. Delay time can be adjustable from 30 seconds to 3 minutes, or others.
3. Continuous detection when motion is present during the period of delay time; the light is always on.