

Date:	Approved:
Type:	
Luminaire:	
Project:	

## eCOVELINE



The **eCOVELINE** is an efficient and versatile cove luminaire with low wattage requirements. **eCOVELINE** comes in a 1 ft or 4 ft nominal lengths and 24K, 27K, 3K, 35K or 4K color temperatures. The housing is constructed of extruded aluminum with tooled end caps and is IP20 rated for interior use only. Features Plug N' Play connectors for easy installation. Flicker free dimmable to 3% full brightness with ELV trailing edge dimming. The ADB2 adjustable bracket option rotates 180°.



### SPECIFICATIONS

#### PHYSICAL

<b>beam spread</b>	60°, 120°
<b>LEDs per foot</b>	10 per foot
<b>mounting</b>	<b>standard:</b> surface mount bracket with (+/- 15° standard), <b>optional:</b> ADB2 full 180° rotation (+/- 90° from center)
<b>housing</b>	extruded aluminum housing with tooled end caps
<b>lens</b>	etched polycarbonate
<b>ingress protection</b>	dry interior locations IP20 rated
<b>luminaire connections</b>	daisy chain with male and female, 3-PIN, plug-n-play connectors
<b>weight</b>	1 foot (1 lbs), 4 foot (4 lbs)

#### PERFORMANCE

<b>color temperature</b>	2400K, 2700K, 3000K, 3500K, 4000K
<b>lumen output</b>	280 lm/ft, 300 lm/ft, 325 lm/ft, 350 lm/ft, 430 lm/ft
<b>lumen maintenance</b>	L70 ≥ 70,000 hours
<b>temperature</b>	<b>operating:</b> -4°F to 104°F (-20°C to 40°C), <b>start up:</b> -4°F to 104°F (-20°C to 40°C), <b>storage:</b> -40°F to 176°F (-40°C to 80°C)
<b>color consistency</b>	Step 3 McAdams Ellipse / CRI ≥ 84 CRI optional
<b>warranty</b>	5 year limited warranty

#### ELECTRICAL

<b>input voltage</b>	Universal 120 - 277 VAC
<b>power supply</b>	integral Class II, electronic high-power factor 94% @ 120V
<b>interface</b>	dimmable to 3% full brightness, (ELV) electronic low-voltage trailing edge, synchronized w/ soft shut-off
<b>certification</b>	ETL/cETL or CE
<b>standards</b>	UL-Class I, IES LM-79/LM-80
<b>power consumption</b>	1 ft @ full power (3.8W), 4 ft @ full power (15.2W)

# Ordering Information

eCOVELINE



## PART NUMBERS

ECVL				3.8W		
model	length	CCT	output	optics	options	
ECVL eCOVELINE	1 12 in. [305 mm]	24K 2400K	3.8W 3.8W/ft	60 60° x 60° beam	CVLLMB-1	coveline louver (1ft)
	4 46.8 in. [1219 mm]	27K 2700K		120 120° x 120° beam	CVLLMB-4	coveline louver (4ft)
		3K 3000K			DVL-1	direct view lens (1ft)
		35K 3500K			DVL-4	direct view lens (4ft)
		4K 4000K			DVL-ENDCAP	direct view lens end cap <i>(need 1 pair for every DVL)</i>

## Cable Accessories (Indicate the quantity needed for each item.)

**REQUIRED:** Starter Cable (SC6) and Terminator Cap (TCAP) for every run. **Maximum Run Length** = 120 feet

- \_\_\_\_\_ **SC6** 6 ft. Starter Connection Cord
- \_\_\_\_\_ **TCAP** Terminator Cap
- \_\_\_\_\_ **EC06** 6 in. Extension Cord
- \_\_\_\_\_ **EC12** 12 in. Extension Cord
- \_\_\_\_\_ **EC24** 24 in. Extension Cord
- \_\_\_\_\_ **EC60** 60 in. Extension Cord

## Mounting Options (Indicate the quantity needed for each item.)

- \_\_\_\_\_ **ADB2** 180° Adjustable Bracket
- \_\_\_\_\_ **CA2-6** Cantilever Arm - 6"
- \_\_\_\_\_ **CA2-12** Cantilever Arm - 12"
- \_\_\_\_\_ **CA2-18** Cantilever Arm - 18"

## Use Module Only to Convert 0-10V Signal to ELV Dimming

DIMO-10VELV is a dimming module that converts a 0-10V dimming signal to an ELV (electronic low-voltage) reverse phase dimming signal for ELV dimmable lighting products.

## Control Components (Indicate the quantity needed for each item.) (1 module per run) (Indoor rated)

**REQUIRED:** Starter Cable (SC6) and Terminator Cap (TCAP) for every run.

- \_\_\_\_\_ **DIMO-10VELV-UNV-OJBM-IJBM-BLA** 0-10V ELV Dim Module, Output Junction Box Mount (12" lead wire), Input Junction Box Mount (12" lead wire), Interior Rated Enclosure, Black Anodized Alum.
- \_\_\_\_\_ **DIMO-10VELV-UNV-OCPM-ICPM-BLA** 0-10V ELV Dim Module, Output Conduit Pipe Mount (96" lead wire), Input Conduit Pipe Mount (96" lead wire), Interior Rated Enclosure, Black Anodized Alum.

**REQUIRED:** Extension Cord (ECXX) XX=06, 12, 24, or 60 Inch Lengths (Pick Length to use based on 1st luminaire to DIMO-10VELV unit distance) and Terminator Cap (TCAP) for every run.

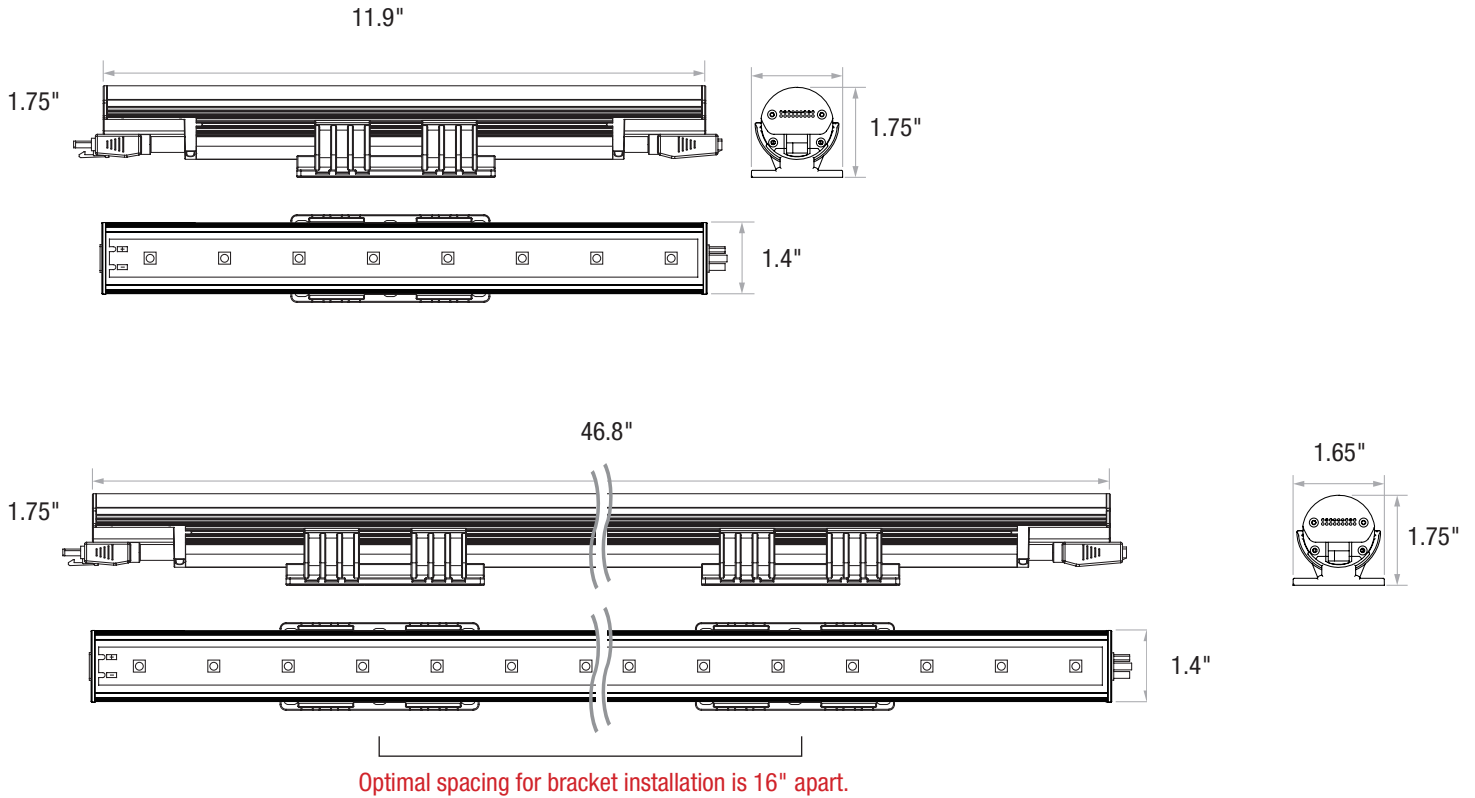
- \_\_\_\_\_ **DIMO-10VELV-UNV-OSCM-IJBM-BLA** 0-10V ELV Dim Module, Output Starter Cord Mount (6" lead wire), Input Junction Box Mount (6" lead wire), Interior Rated Enclosure, Black Anodized Alum.

# Standard Dimensions

eCOVELINE



## DIMENSIONS WITH STANDARD BRACKET



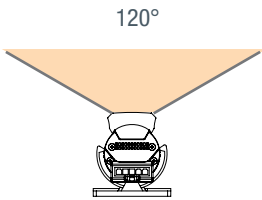
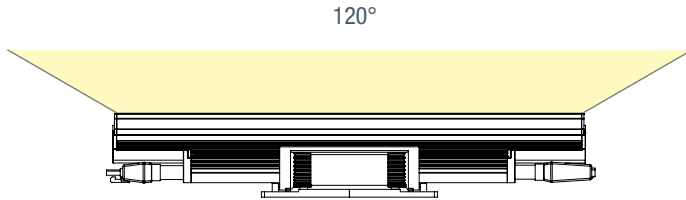
**TO PREVENT VOIDING THE WARRANTY, DO NOT INSTALL BRACKETS WITHIN 2" OF THE ENDS OF LUMINAIRE.**

# Photometry

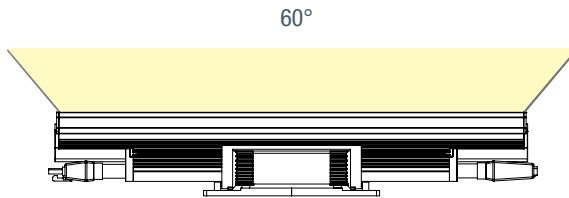
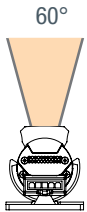
eCOVELINE



ECVL 1FT 4K 120°



ECVL 1FT 4K 60°



## PERFORMANCE

Model	Delivered Lumens				
	2400K	2700K	3000K	3500K	4000K
ECVL-1	280	300	325	350	430
ECVL-4	1120	1200	1300	1400	1720

Due to continuous development and improvements, specifications are subject to change without notice.  
Product use certifies agreement to Solid State Luminaires terms and conditions.

# Mounting Options

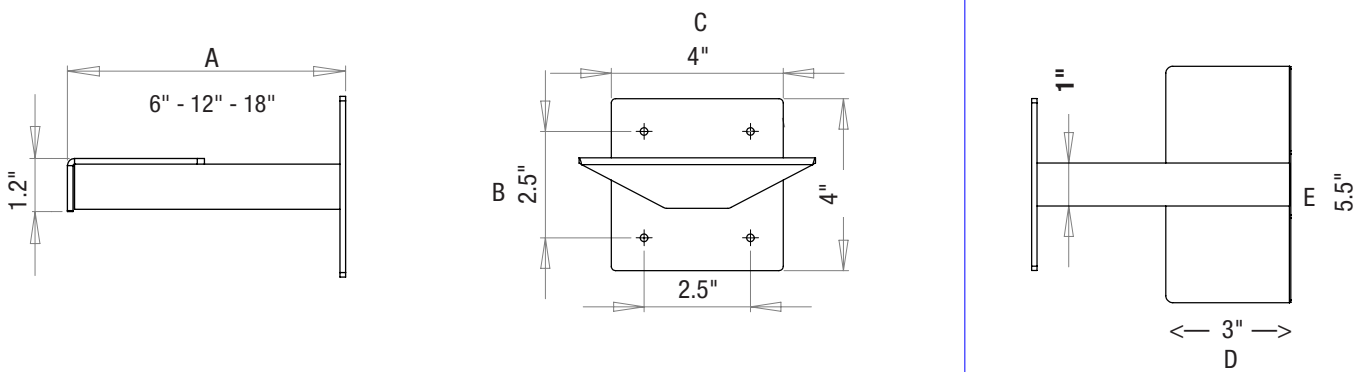
eCOVELINE



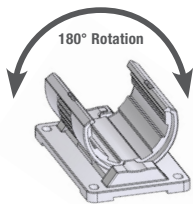
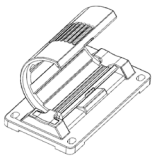
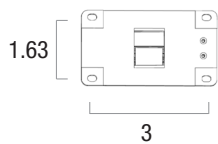
## CANTILEVER ARM - Available in 3 Lengths

CA2	(A) arm length	mounting height (B)	mounting width (C)	bracket plate length (D)	bracket plate width (E)
CA2/6	6"	4"	4"	3"	5.5"
CA2/12	12"				
CA2/18	18"				

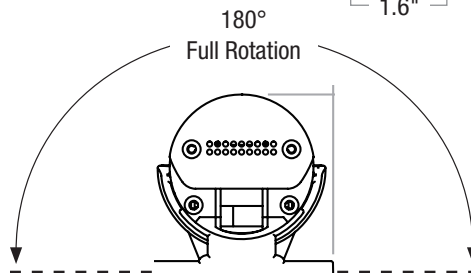
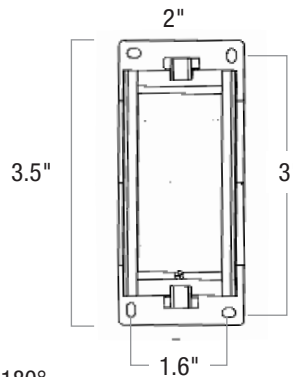
ECVL	CA2 Requirement
1'	1
4'	2



## OPTIONAL ADJUSTABLE BRACKET (ADB2)



- Multi-Directional.**
- Adjusts +/-90°
  - Mounts to horizontal or vertical surfaces
  - Easy installation w/luminaire in position



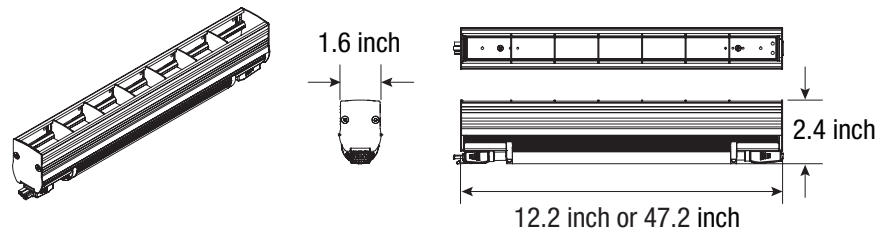
# Accessories

eCOVELINE



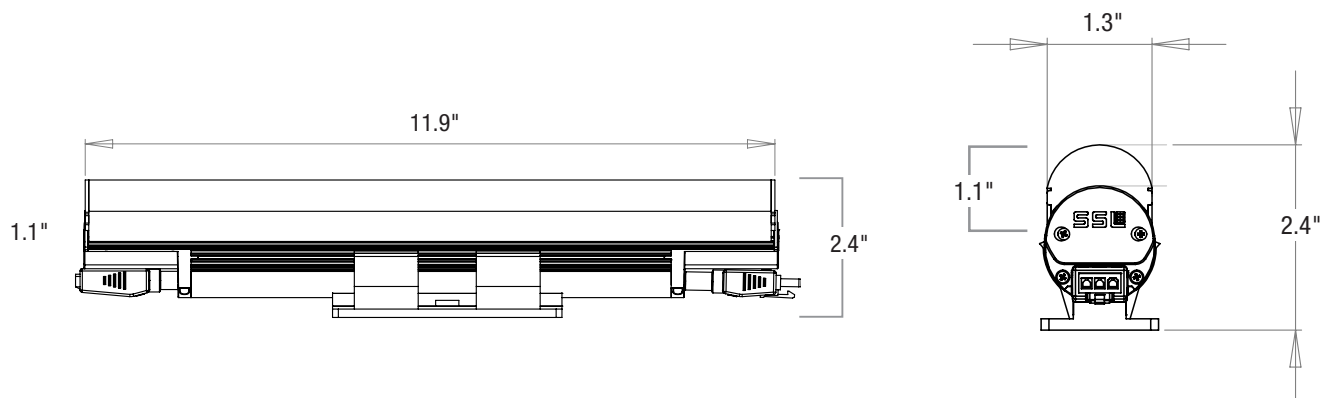
## LOUVER (BLACK) - CVLLMB

	1FT	4FT
height	2.4"	2.4"
length	12.2"	47.2"
width	1.6"	1.6"



## DIRECT DIFFUSER LENS - DVL

	1FT	4FT
total height	2.4"	2.4"
diffuser height	1.1"	1.1"
length	11.9"	46.8"
width	1.3"	1.3"



# Connectivity Options

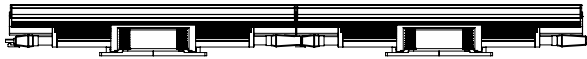
eCOVELINE



## CONNECTIONS & CABLES

**A1:**

H



Daisy Chain Luminaires (1')

**A1:** MIN/.5" - MAX/.8" between luminaires

**A4:** MIN/0" - MAX/.6" between luminaires

**B:** **SC10** - 10 ft. Starter Cord

**B:** **SC50** - 50 ft. Starter Cord

**C:** **EC12** - 12 in. Extension Cord

**C:** **EC24** - 24 in. Extension Cord

**C:** **EC60** - 60 in. Extension Cord

**D:** **TCAPD** - 1.13" Terminator Cap

**A4:**

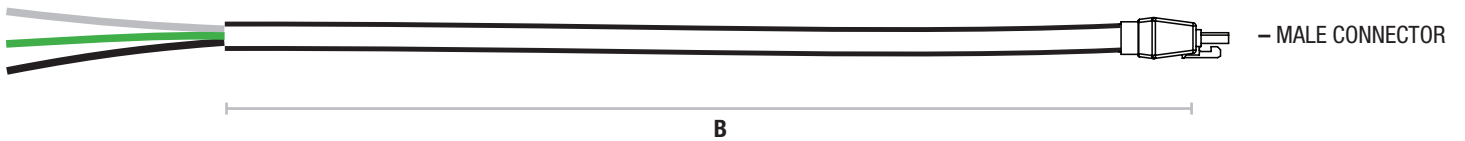
H



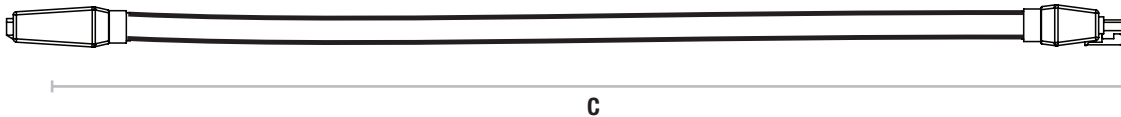
Daisy Chain Luminaires (4')

### B: STARTER CABLES

INSURE FIRST LUMINAIRE IS ORIENTED TO ACCEPT MALE CONNECTOR STARTER CABLE



### C: EXTENSION CABLES



### D: TERMINATOR CAP TCAP

D



# Control Components

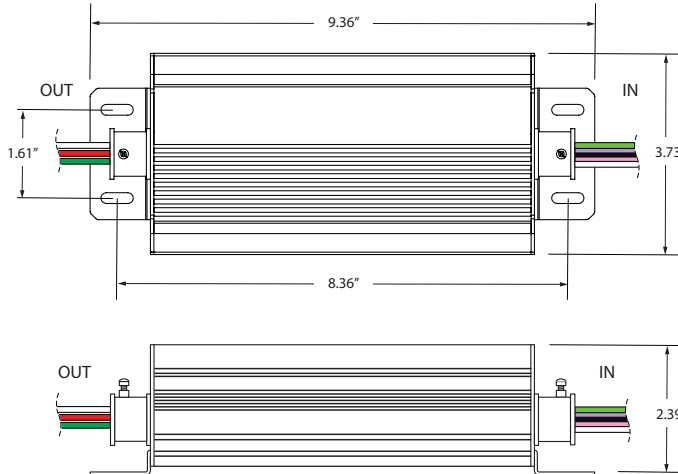
eCOVELINE



## OVERALL DIMENSIONS (DIMO-10VELV)

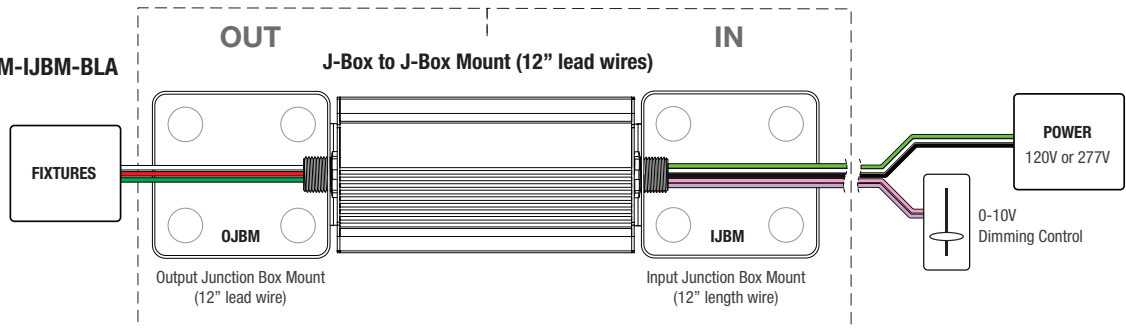
**Use Module Only to Convert 0-10V Signal to ELV Dimming**

Converts 0-10V signal for ELV Dimming protocol.

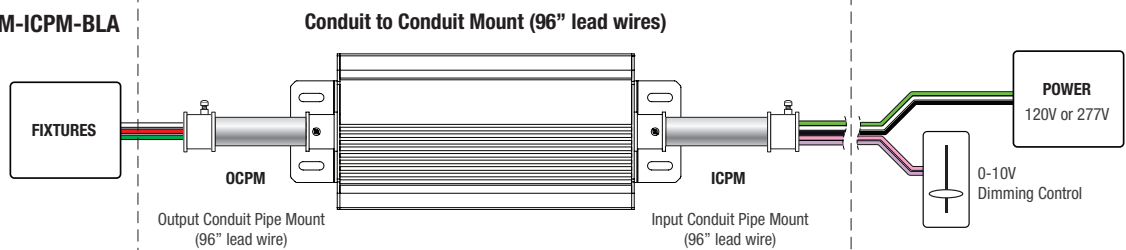


## CONNECTIVITY TYPES (DIMO-10VELV)

**DIMO-10VELV-UNV-OJBM-IJBM-BLA**



**DIMO-10VELV-UNV-OCPM-ICPM-BLA**



**DIMO-10VELV-UNV-OSCM-IJBM-BLA**

